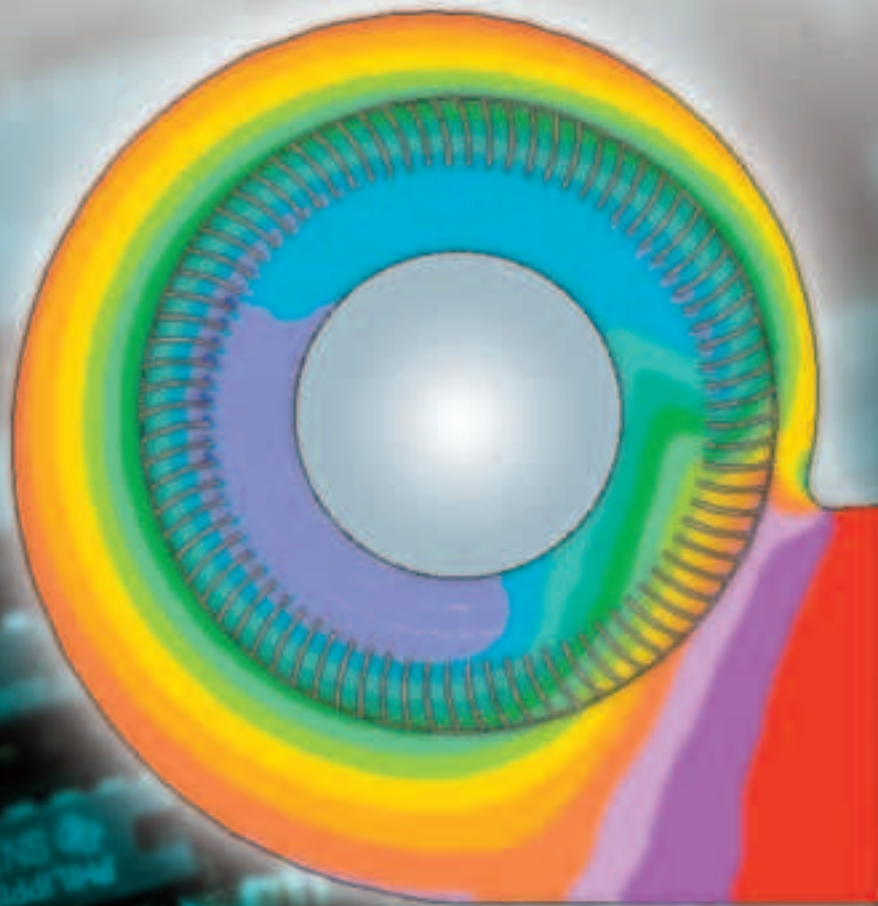


NEW

SERVO

Silent Blower Series

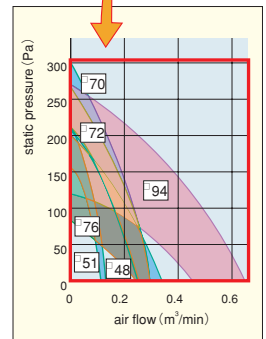
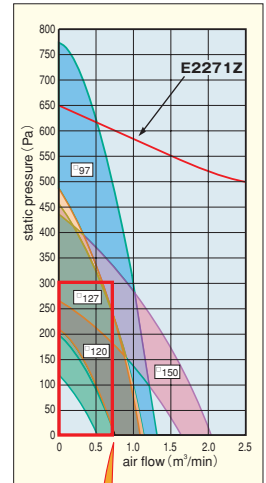
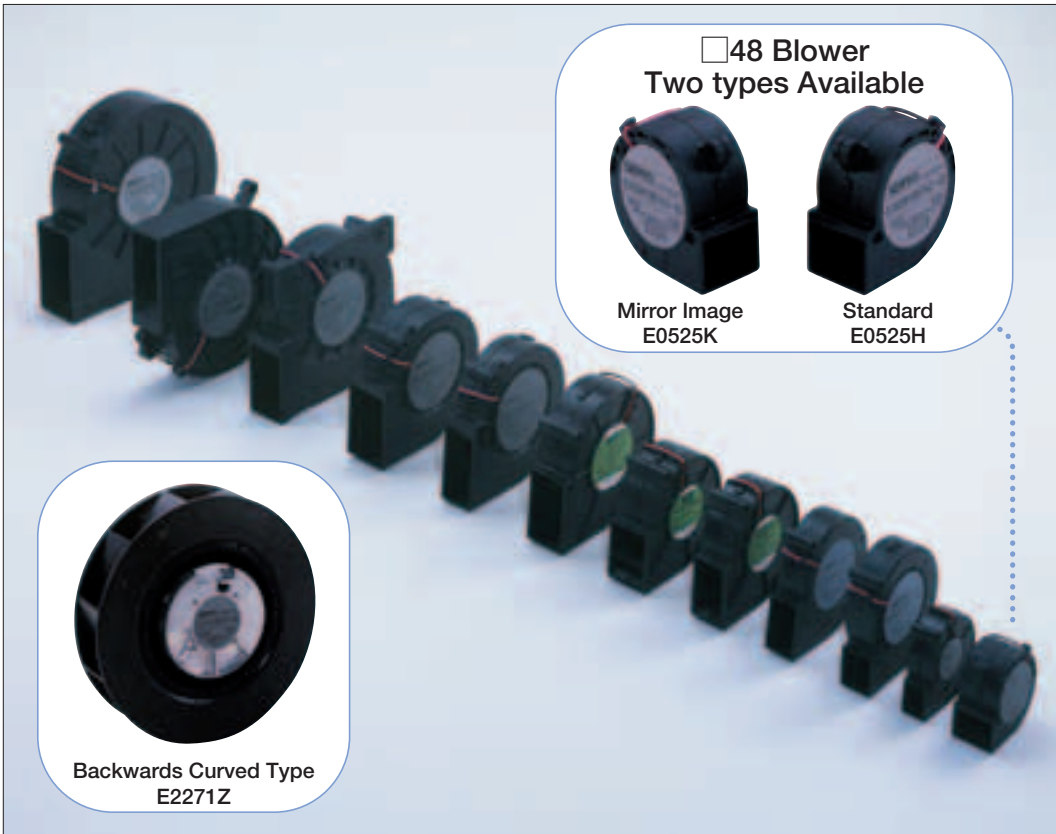
Specification Data



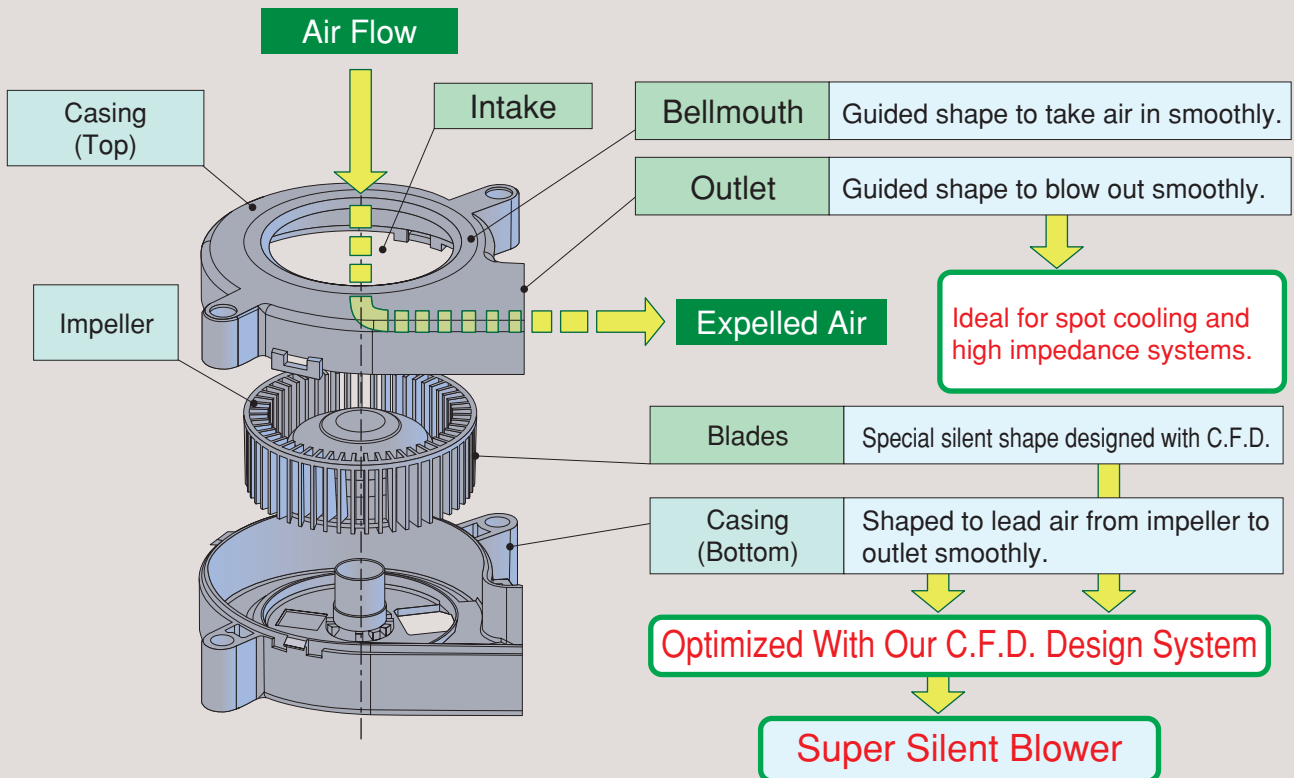
Optimized With Our C.F.D. Design System
(Computational Fluid Dynamics)

48~150, ϕ 220 A Diverse Product Line

Offering You Silent Operation With The Super Silent Blower



Exploded View Diagram Of The Super Silent Blower



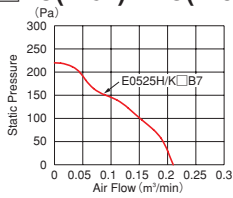
★Very low noise achieved by optimizing air flow between the intake and the outlet.

Silent Blower Series Specification Data

48(1.9")x 25(1.0") E0525H/K Series

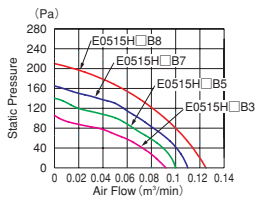
Super Silent Blower

New



Max. Air Flow		Max. Static Pressure		Noise dB	Speed r/min	Rated Voltage		Current mA		Model Code	Operating Temp. Range °C	
m³/min	cfm	Pa	inH ₂ O			V	Operating Range	Rating	Start			
0.22	7.8	220	0.88	42.5	6700	12	4.5~13.8	230	530	E0525H12B7AZ-00	-20~70	
						24	9.6~27.6	110	280	E0525K12B7AZ-00		
										E0525H24B7AZ-00		
										E0525K24B7AZ-00		

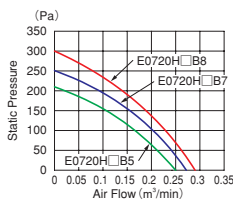
51(2")x 15(0.6") E0515H Series



Max. Air Flow		Max. Static Pressure		Noise dB	Speed r/min	Rated Voltage		Current mA		Model Code	Operating Temp. Range °C
m³/min	cfm	Pa	inH ₂ O			V	Operating Range	Rating	Start		
0.125	4.4	210	0.84	42	6100	12	6~13.8	190	320	E0515H12B8AZA01	-20~60
						24	12~27.6	100	160	E0515H24B8AZA01	
0.11	3.9	165	0.66	40	5500	12	6~13.8	140	225	E0515H12B7AZA01	-20~80
						24	12~27.6	80	130	E0515H24B7AZA01	
0.10	3.5	135	0.54	37	5000	12	9.6~13.8	120	190	E0515H12B5AZ-00	-20~60
						24	16.8~27.6	60	110	E0515H24B5AZ-00	
0.09	3.2	110	0.44	34	4500	12	9.6~13.8	90	150	E0515H12B3AZ-00	

70(2.8")x 20(0.8") E0720H Series

Super Silent Blower

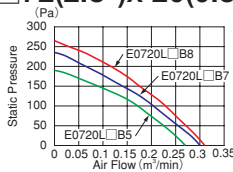


Max. Air Flow		Max. Static Pressure		Noise dB	Speed r/min	Rated Voltage		Current mA		Model Code	Operating Temp. Range °C
m³/min	cfm	Pa	inH ₂ O			V	Operating Range	Rating	Start		
0.29	10	300	1.21	44	4750	12	5~13.8	300	580	E0720H12B8AZ-00	-20~70
						24	10~27.6	140	270	E0720H24B8AZ-00	
0.27	9.5	250	1.01	42	4400	12	5~13.8	240	480	E0720H12B7AZ-00	
						24	10~27.6	120	240	E0720H24B7AZ-00	
0.25	8.8	210	0.84	40	4050	12	5.5~13.8	200	390	E0720H12B5AZ-00	
						24	10~27.6	100	200	E0720H24B5AZ-00	

72(2.8")x 20(0.8") E0720L Series

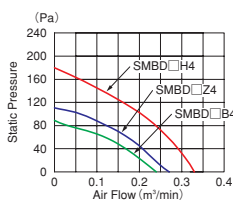
Super Silent Blower

New



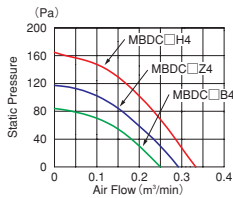
Max. Air Flow		Max. Static Pressure		Noise dB	Speed r/min	Rated Voltage		Current mA		Model Code	Operating Temp. Range °C
m³/min	cfm	Pa	inH ₂ O			V	Operating Range	Rating	Start		
0.31	11	265	1.07	41	4200	12	4.5~12.8	300	620	E0720L12B8AZ-00	-20~70
0.30	10	245	0.98	40.5	4050		4.5~13.8	260	520	E0720L12B7AZ-00	
0.27	9.5	190	0.76	38	3700		4.5~13.8	190	390	E0720L12B5AZ-00	

76(3")x 25(1.0") SMBD Series



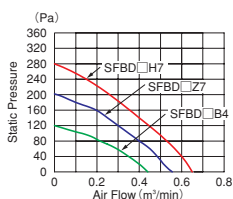
Max. Air Flow		Max. Static Pressure		Noise dB	Speed r/min	Rated Voltage		Current mA		Model Code	Operating Temp. Range °C
m³/min	cfm	Pa	inH ₂ O			V	Operating Range	Rating	Start		
0.33	12	180	0.72	48	4500	12	7.2~13.8	330	820	SMBD12H4	-20~60
						24	12~27.6	190	440	SMBD24H4	
0.27	9.5	118	0.47	43	3800	12	7.2~13.8	230	550	SMBD12Z4	
						24	12~27.6	120	350	SMBD24Z4	
0.24	8.5	88	0.35	41	3400	12	7.2~13.8	180	450	SMBD12B4	
						24	12~27.6	90	250	SMBD24B4	

76(3")x 30(1.2") MBDC Series



Max. Air Flow		Max. Static Pressure		Noise dB	Speed r/min	Rated Voltage		Current mA		Model Code	Operating Temp. Range °C
m³/min	cfm	Pa	inH ₂ O			V	Operating Range	Rating	Start		
0.33	12	172	0.69	47	4200	12	7.2~13.8	380	820	MBDC12H4	-20~60
0.29	10	117	0.47	41	3400		7.2~13.8	250	550	MBDC12Z4	
							12~27.6	140	350	MBDC24Z4	
0.25	8.8	83	0.33	38	3000	7.2~13.8	200	450	MBDC12B4		
						12~27.6	110	250	MBDC24B4		

94(3.7")x 30(1.2") SFBD Series



Max. Air Flow		Max. Static Pressure		Noise dB	Speed r/min	Rated Voltage		Current mA		Model Code	Operating Temp. Range °C
m³/min	cfm	Pa	inH ₂ O			V	Operating Range	Rating	Start		
0.65	23	280	1.13	53	3900	12	7.2~13.8	650	1600	SFBD12H7	-20~60
						24	12~27.6	330	810	SFBD24H7	
0.56	20	200	0.80	49	3300	12	7.2~13.8	440	1120	SFBD12Z7	
						24	12~27.6	300	600	SFBD24Z7	
0.44	16	120	0.48	45	2700	12	7.2~13.8	290	630	SFBD12B4	
						24	12~27.6	150	330	SFBD24B4	

All models shown above are recognized by UL, CSA, TUV standards.

The specifications described in this leaflet may change due to improvement.

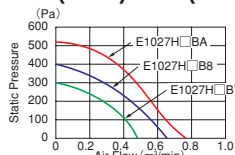
The values shown here are typical values. Please request a specification sheet with actual guaranteed values when purchasing.

Silent Blower Series Specification Data

□ 97(3.8")x 25(1.0") E1027H Series

Super Silent Blower

New

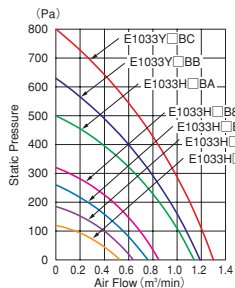


Max. Air Flow		Max. Static Pressure		Noise dB	Speed r/min	Rated Voltage		Current mA		Model Code	Operating Temp. Range °C
m ³ /min	cfm	Pa	inH ₂ O			V	Operating Range	Rating	Start		
0.78	28	520	2.09	55	5000	12	8.4~13.8	1000	2200	E1027H12BAAZ-00	-20~60
0.64	23	390	1.57	49	4000		5.0~13.2	780	2400	E1027H12B8AZ-00	-20~70
0.57	20	315	1.27	47	3600			550	1670	E1027H12B7AZ-00	

□ 97(3.8")x 33(1.3") E1033H/Y Series

Super Silent Blower

New

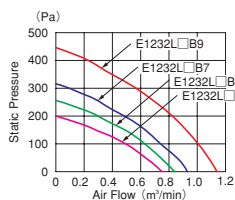


Max. Air Flow		Max. Static Pressure		Noise dB	Speed r/min	Rated Voltage		Current mA		Model Code	Operating Temp. Range °C
m ³ /min	cfm	Pa	inH ₂ O			V	Operating Range	Rating	Start		
1.30	46	800	3.22	62	5800	12	8.4~13.2	1850	3430	E1033Y12BCAZ-00	-20~60
							12~26.4	900	2830	E1033Y24BCAZ-00	
1.19	42	630	2.53	60	5300	12	8.4~13.2	1450	3100	E1033Y12BBAZ-00	-20~60
							12~26.4	710	2700	E1033Y24BBAZ-00	
1.14	40	500	2.01	58	4850	12	8.4~13.2	1250	2100	E1033H12BAAZ-00	-20~70
							16~26.4	630	1850	E1033H24BAAZ-00	
0.85	30	320	1.29	50	3500	12	4.5~13.2	710	1950	E1033H12B8AZ-00	-20~70
							9~26.4	390	940	E1033H24B8AZ-00	
0.76	27	260	1.05	48	3100	12	5~13.2	590	1260	E1033H12B7AZ-00	-20~70
							10~26.4	300	710	E1033H24B7AZ-00	
0.64	23	185	0.74	43	2600	12	5~13.2	400	820	E1033H12B6AM-04	-20~70
				46			24	10~26.4	220	400	
0.53	19	120	0.48	39	2200	12	5~13.8	250	500	E1033H12B5AM-04	-20~70
							24	10~26.4	120	260	

□ 120(4.7")x 32(1.3") E1232L Series

Super Silent Blower

New

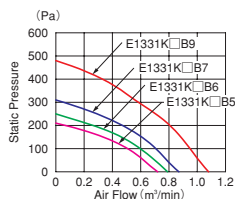


Max. Air Flow		Max. Static Pressure		Noise dB	Speed r/min	Rated Voltage		Current mA		Model Code	Operating Temp. Range °C
m ³ /min	cfm	Pa	inH ₂ O			V	Operating Range	Rating	Start		
1.13	40	460	1.85	54	3800	12	8.4~13.2	1100	2100	E1232L12B9AZ-00	-20~60
							24	21.6~26.4	560	1900	
0.91	32	320	1.29	49	3100	12	7.2~13.2	820	1800	E1232L12B7AZ-00	-20~60
							24	12~26.4	430	900	
0.83	29	250	1.01	47	2750	12	7.2~13.2	560	1300	E1232L12B6AZ-00	-20~70
							24	12~26.4	310	700	
0.75	26	200	0.80	44	2450	12	7.2~13.2	420	940	E1232L12B5AZ-00	-20~70
							24	12~26.4	250	490	

□ 127(5")x 31(1.2") E1331K Series

Super Silent Blower

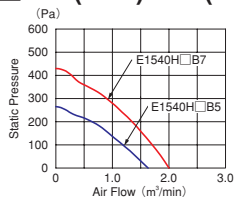
New



Max. Air Flow		Max. Static Pressure		Noise dB	Speed r/min	Rated Voltage		Current mA		Model Code	Operating Temp. Range °C
m ³ /min	cfm	Pa	inH ₂ O			V	Operating Range	Rating	Start		
1.08	38	480	1.93	54	3400	12	8.4~13.2	1100	1960	E1331K12B9AZ-00	-20~60
							24	21~26.4	530	1980	
0.87	31	310	1.25	49	2700	12	6~13.2	690	1790	E1331K12B7AZ-00	-20~70
							24	12~26.4	380	930	
0.79	28	250	1.01	47	2500	12	6~13.2	490	1400	E1331K12B6AZ-00	-20~70
							24	12~26.4	280	710	
0.72	25	210	0.84	45	2200	12	6~13.2	440	1008	E1331K12B5AZ-00	-20~70
							24	12~26.4	240	520	

□ 150(5.9")x 40(1.6") E1540H Series

Super Silent Blower

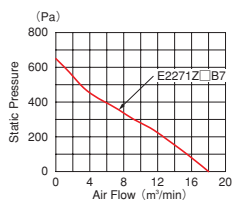


Max. Air Flow		Max. Static Pressure		Noise dB	Speed r/min	Rated Voltage		Current mA		Model Code	Operating Temp. Range °C
m ³ /min	cfm	Pa	inH ₂ O			V	Operating Range	Rating	Start		
2.0	71	430	1.73	56	2700	12	8.4~13.8	1600	910	E1540H12B7AZ-00	-20~70
							24	16.8~27.6	740	430	
1.65	58	270	1.09	51	2200	12	8.4~13.8	1100	1640	E1540H12B5AZ-00	-20~70
							24	12~27.6	540	1450	

φ220(8.7")x 71(2.8") E2271Z Series

Super Silent Blower

New

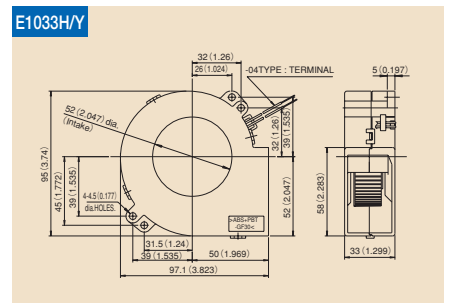
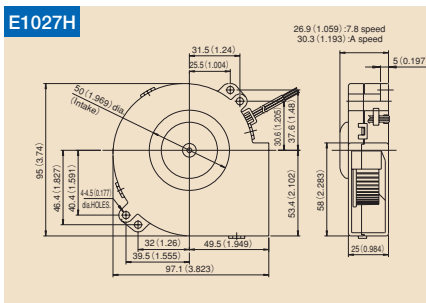
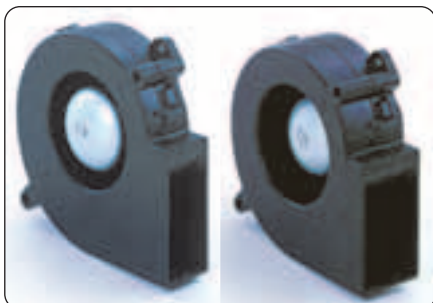
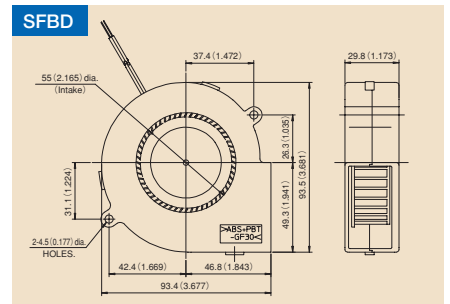
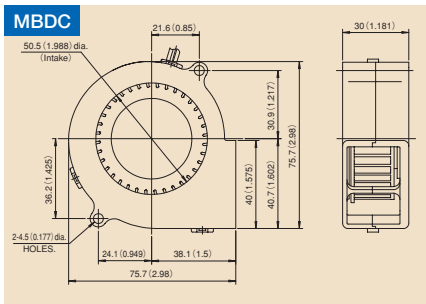
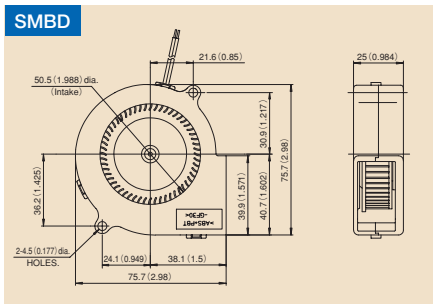
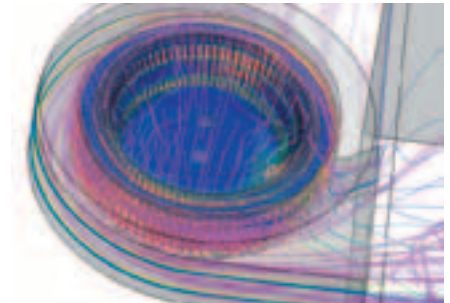
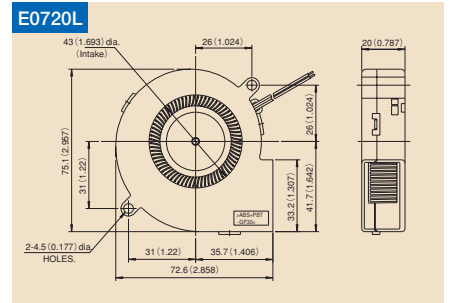
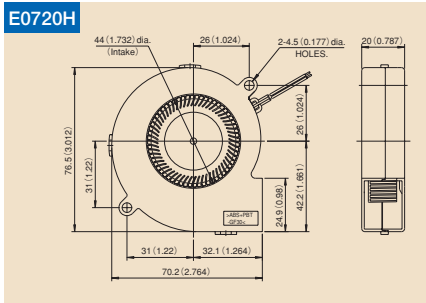
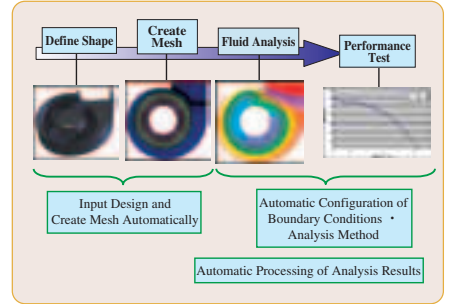
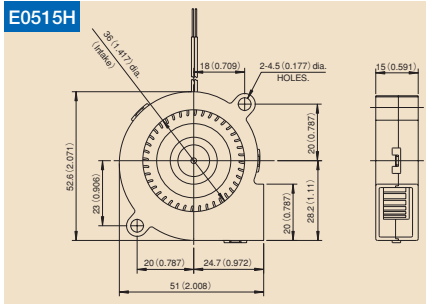
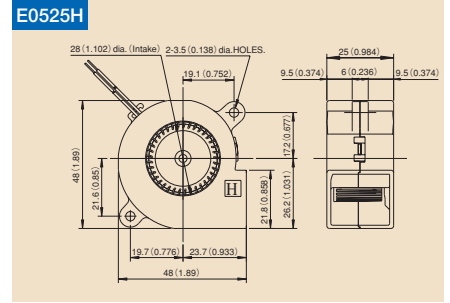
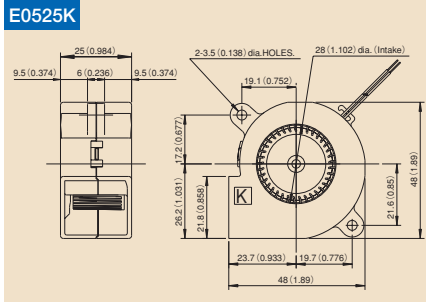


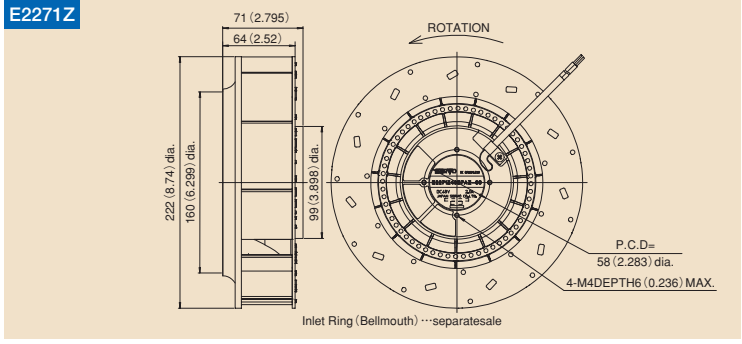
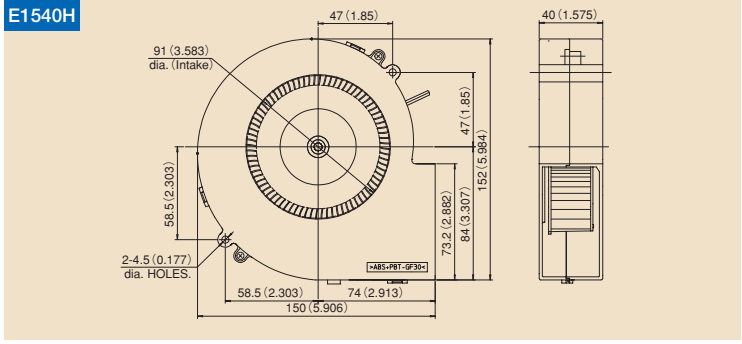
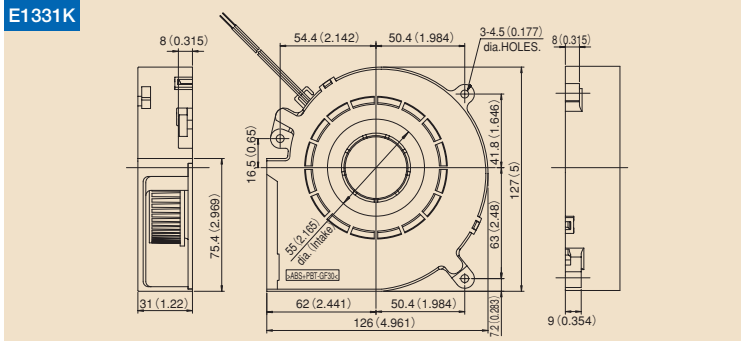
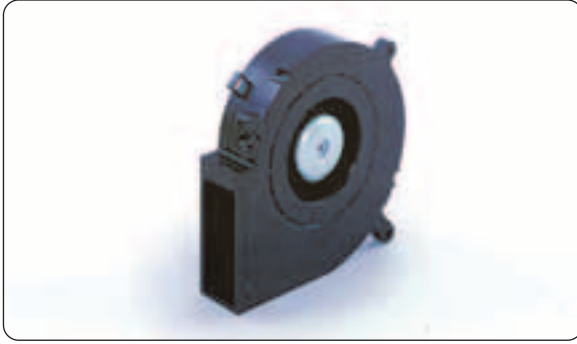
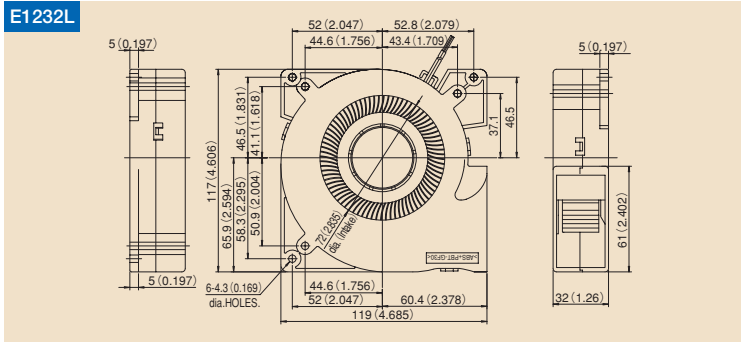
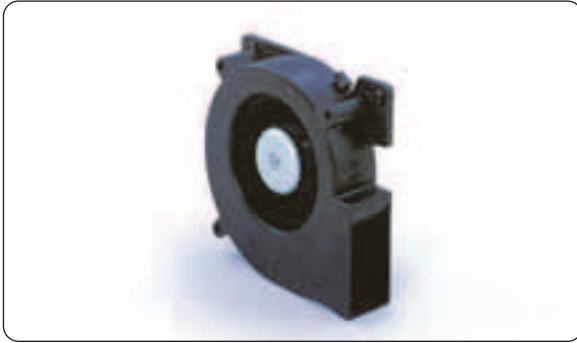
Max. Air Flow		Max. Static Pressure		Noise dB	Speed r/min	Rated Voltage		Current mA		Model Code	Operating Temp. Range °C
m ³ /min	cfm	Pa	inH ₂ O			V	Operating Range	Rating	Start		
18.1	639	650	2.61	71	3200	48	36~57	2100	4500	E2271Z48B7AP-00	-20~60

All models shown above are recognized by UL, CSA, TUV standards.

The specifications described in this leaflet may change due to improvement.

The values shown here are typical values. Please request a specification sheet with actual guaranteed values when purchasing.





Visit our website at <http://www.japanservo.com/>
for more information and to request a CD-ROM Version of our product catalog.

Japan Servo Co., Ltd., Sales Headquarters

7 Kanda-Mitoshirocho
Chiyodaku, Tokyo 101-0053 Japan
Tel : +81-(0)3-3292-3506
Fax : +81-(0)3-3292-3509

Material distributed by ;

Japan Servo USA Inc.
725 River Road, suite 111
Edgewater, NJ 07020, USA
Tel : +1-(0)201-313-3800 Fax : +1-(0)201-313-3804

Japan Servo USA Inc. San Jose Sales Office
3100 North First Street San Jose, CA 95134
Tel : +1-(0)408-432-1065 Fax : +1-(0)408-432-7591

Japan Servo Europe GmbH
Europark Fichtenhain A12 47807 Krefeld
Germany
Tel : +49-(0)2151-821184-0 Fax : +49-(0)2151-821184-459

PO Box 7084, Hook, Hampshire, RG27 9XL, UK
Tel : +44-(0)1256-767712 Fax : +44-(0)1256-767715

Japan Servo Co., Ltd. Europe Branch
PO Box 1099, 3840 BB Hardenwijk
The Netherlands
Tel : +31-(0)3414-27575 Fax : +31-(0)3414-23388

Japan Servo (Hong Kong) Limited
Unit 1008-09, Saxon Tower, 7 Cheung Shun Street,
Lai Chi Kok, Kowloon, HONG KONG
Tel : +852-(0)2314-0037 Fax : +852-(0)2314-4768

Japan Servo (Hong Kong) Limited Taiwan Representative Office
10/F., Shin Kang Chung Shan Bldg., 44 SEC.2,
Chung Shan N.Rd., Taipei 104 Taiwan
Fax : +852-(0)3007-8924

Japan Servo Co., Ltd. Singapore Branch
No. 50, kallang Avenue #05-01,
Noel Corporate Buildings, Singapore 339505
Tel : +65-(0)6743-7655 Fax : +65-(0)6842-7839