

Submersible Pumps



GMV



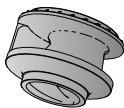
Submersible pumps with vortex impeller in cast iron EN-GJL-250 pag. 268

GMVS



Submersible pumps with vortex impeller in cast iron with polyurethane coating pag. 275

GMC



Submersible pumps with single channel impeller in cast iron EN-GJL-250 pag. 277

GMN



Submersible pumps with channels impeller in cast iron EN-GJL-250 pag. 286

GMG



Submersible pumps with grinder in cast iron EN-GJL-250 pag. 300

I-GMV



Submersible pumps with vortex impeller in stainless steel AISI316 pag. 304

I-GMC



Submersible pumps with single channel impeller in stainless steel AISI316 pag. 304

I-GMN



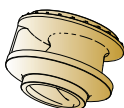
Submersible pumps with channels impeller in stainless steel AISI316 pag. 304

B-GMV



Submersible pumps with vortex impeller in Marine Bronze B10 pag. 315

B-GMC



Submersible pumps with single channel impeller in Marine Bronze B10 pag. 315

B-GMN



Submersible pumps with channels impeller in Marine Bronze B10 pag. 315

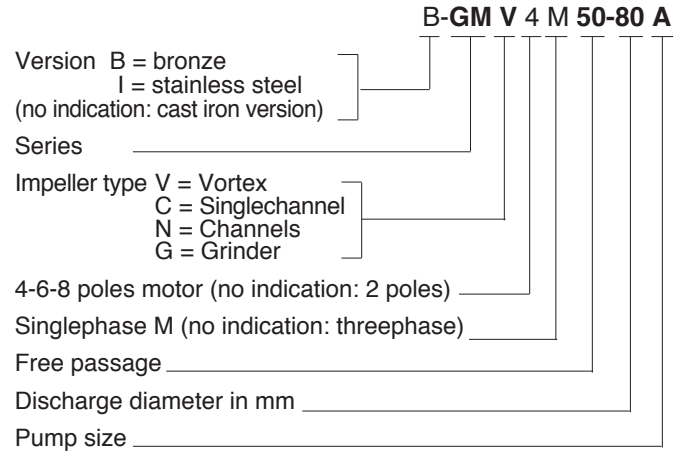
A new series of submersible pumps with high efficiency hydraulics designed to move slurry, sewage and industrial process fluids.

The range covers a wide field of use with head up to 75 m And flows up to 2300 m³/h, with a maximum solid passage up to 140 mm keeping the risk of blockage to a minimum.

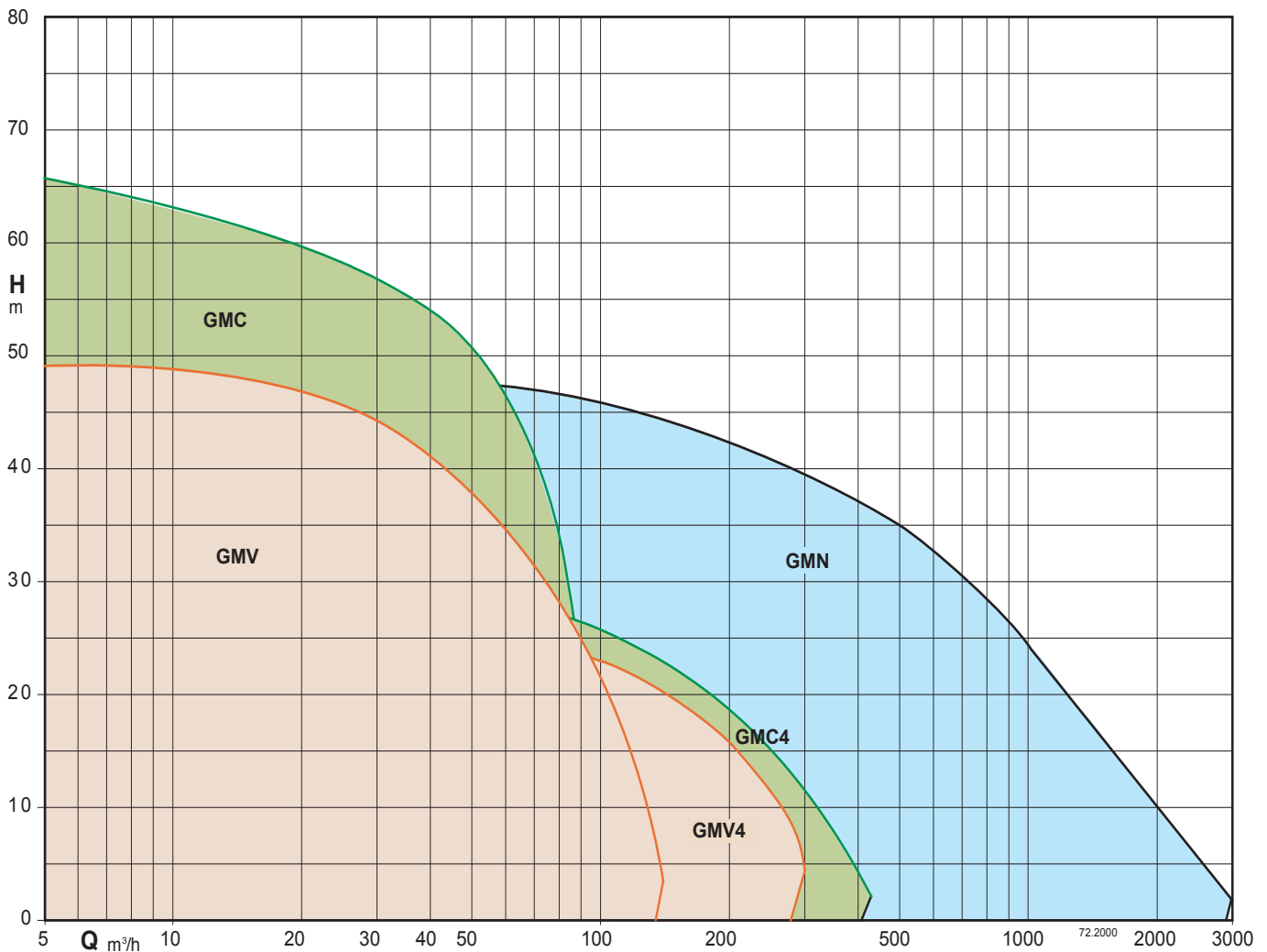
Dimensionally designed for heavy demand, even on critical applications.

Explosion proof version on request.

Pump designation



Coverage chart



Tolerances according to ISO 9906, annex A.



Main materials

Pump casing: cast iron EN-GJL-250
 Impeller: cast iron EN-GJL-250+Ni
 Motor casing: cast iron EN-GJL-250
 Motor cover: cast iron EN-GJL-250
 Shaft: stainless steel AISI 420B
 Mechanical seal motor side: graphite/ceramic
 Mechanical seal pump side: silicon carbide/silicon carbide

Construction

Submersible pumps with vortex impeller.
 Twin mechanical seal with oil chamber.
 Delivery connection DN 80-100-150.

Applications

Suitable to pump slurry and sewage waters with the presence of solid and filamentous parts in suspension, they are in particular pointed out for emptying septic tanks in the domestic, residential and industrial installations.
 Solid passage diameter from 50 to 100 mm.

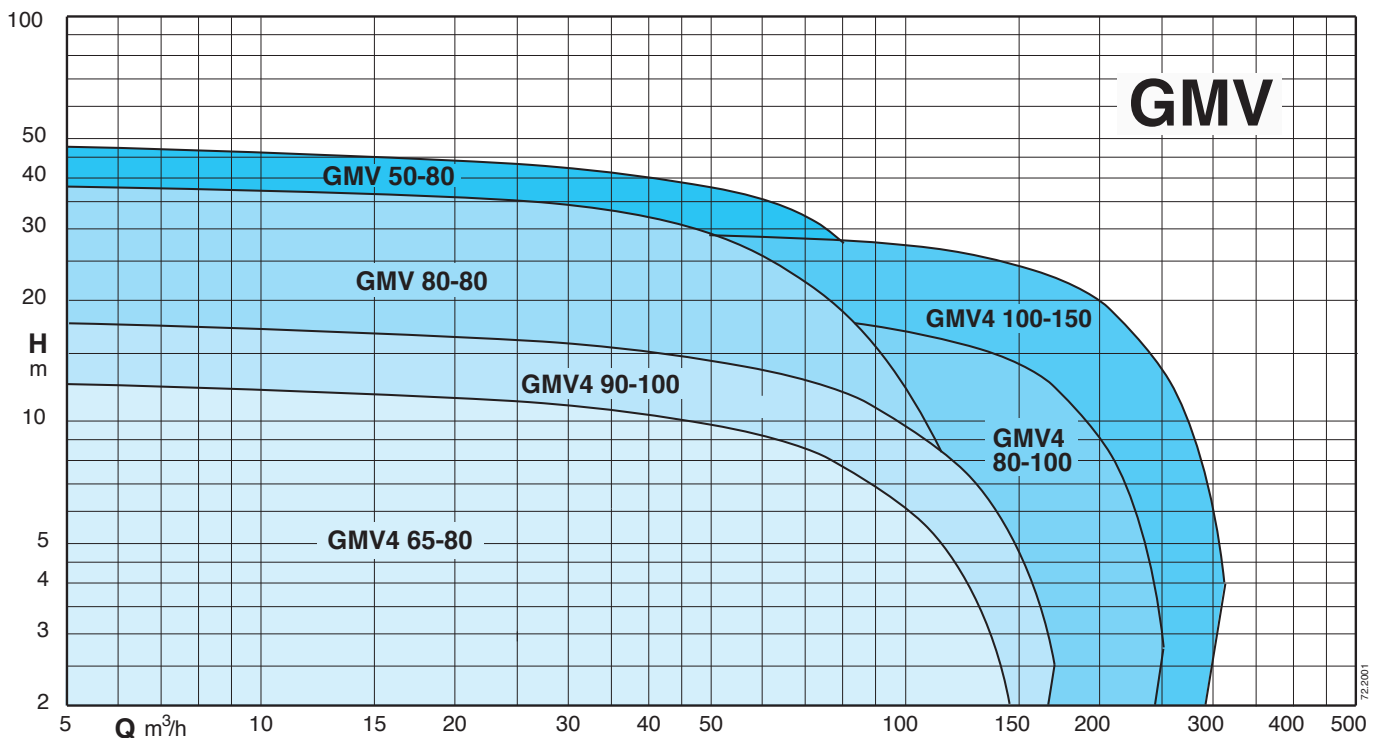
Operating conditions

Liquid temperature up to 40 °C.
 Maximum immersion depth: 20 m (with suitable cable length).
 Continuous duty (with pump immersed at minimum level).

Motor

2 or 4 poles induction, 50Hz
 Three-phase version: 400V ± 10%, up to 3,2 kW
 400/690V ± 10%, over 3,2 kW
 Insulation Class: H
 Protection degree: IP 68
 N° of starting x hour: max 15 with regular intervals
 Cable: H07RN-F, length 10 m
 Other models: contact our sale office

Coverage chart



Technical data

TYPE	P ₂ kW	I _N A	Power Supply	r.p.m.	Starting	DN mm	Free passage Ø mm	Thermal protector	Humidity probe	ATEX Eex
GMV 50-80F	3,2	6,5	3~ 400V	2850	D.O.L.	80	50	NO	NO	✓
GMV 50-80E	3,2	6,5	3~ 400V	2850	D.O.L.	80	50	NO	NO	✓
GMV 50-80D	5	11	3~ 400/690V	2850	Y/Δ	80	50	●	●	✓
GMV 50-80C	5,7	12,5	3~ 400/690V	2850	Y/Δ	80	50	●	●	✓
GMV 50-80B	18,2	34	3~ 400/690V	2850	Y/Δ	80	50	●	●	✓
GMV 50-80A	18,2	34	3~ 400/690V	2850	Y/Δ	80	50	●	●	✓
GMV 70-80B/A	10	17,9	3~ 400/690V	2850	Y/Δ	80	70	●	●	✓
GMV 70-80A/A	10	17,9	3~ 400/690V	2850	Y/Δ	80	70	●	●	✓
GMV 80-80B	15,9	30	3~ 400/690V	2850	Y/Δ	80	80	●	●	✓
GMV 80-80A	18,2	34	3~ 400/690V	2850	Y/Δ	80	80	●	●	✓
GMV 80-80S	22,4	40,1	3~ 400/690V	2850	Y/Δ	80	80	●	●	✓
GMV4 65-80D	2,8	6,5	3~ 400V	1450	D.O.L.	80	65	NO	NO	✓
GMV4 65-80C	2,8	6,5	3~ 400V	1450	D.O.L.	80	65	NO	NO	✓
GMV4 65-80B	3,8	8	3~ 400/690V	1450	Y/Δ	80	65	●	●	✓
GMV4 65-80A	4,6	9,5	3~ 400/690V	1450	Y/Δ	80	65	●	●	✓
GMV4 90-100B	7,1	13,5	3~ 400/690V	1450	Y/Δ	100	90	●	●	✓
GMV4 90-100A	7,1	13,5	3~ 400/690V	1450	Y/Δ	100	90	●	●	✓
GMV4 80-100C	11,6	23,2	3~ 400/690V	1450	Y/Δ	100	80	●	●	✓
GMV4 80-100B	14,4	29,5	3~ 400/690V	1450	Y/Δ	100	80	●	●	✓
GMV4 80-100A	14,4	29,5	3~ 400/690V	1450	Y/Δ	100	80	●	●	✓
GMV4 80-100S	27	52,5	3~ 400/690V	1450	Y/Δ	100	80	●	●	✓
GMV4 100-150E	27	52,5	3~ 400/690V	1450	Y/Δ	150	100	●	●	✓
GMV4 100-150B	25	48	3~ 400/690V	1450	Y/Δ	150	100	●	●	✓
GMV4 100-150A	35,7	65,5	3~ 400/690V	1450	Y/Δ	150	100	●	●	✓

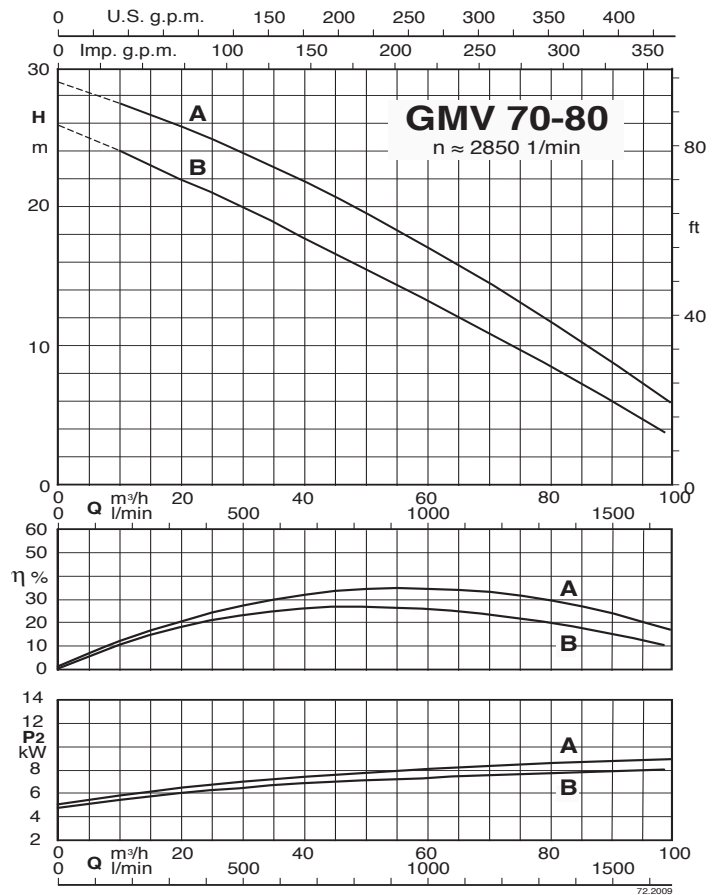
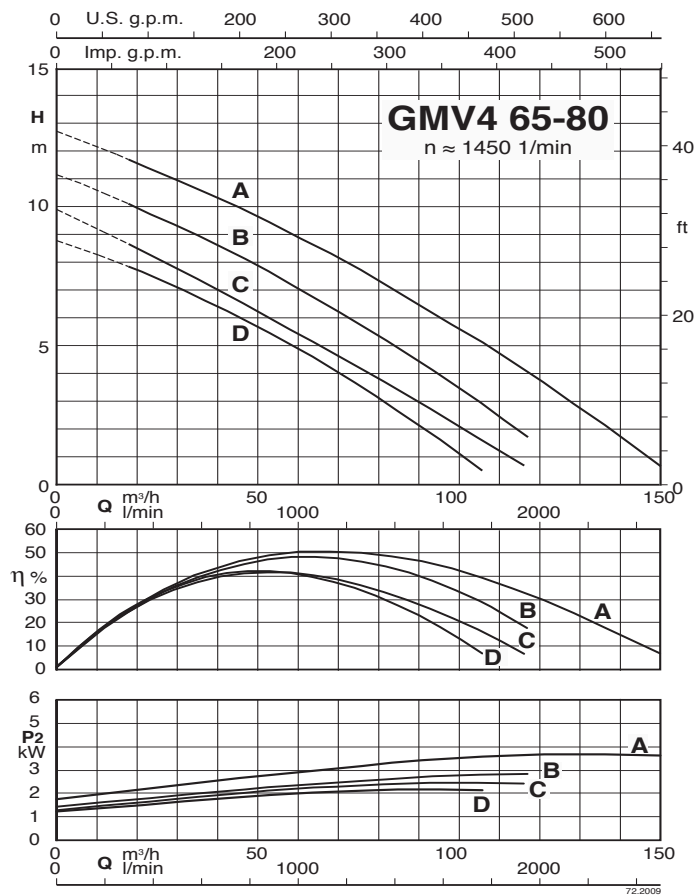
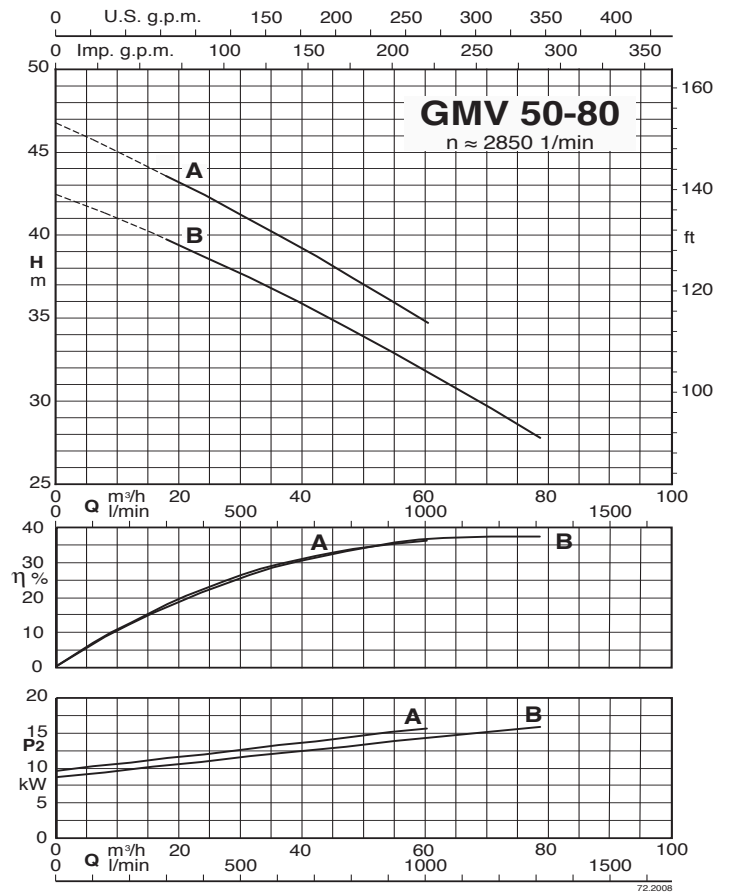
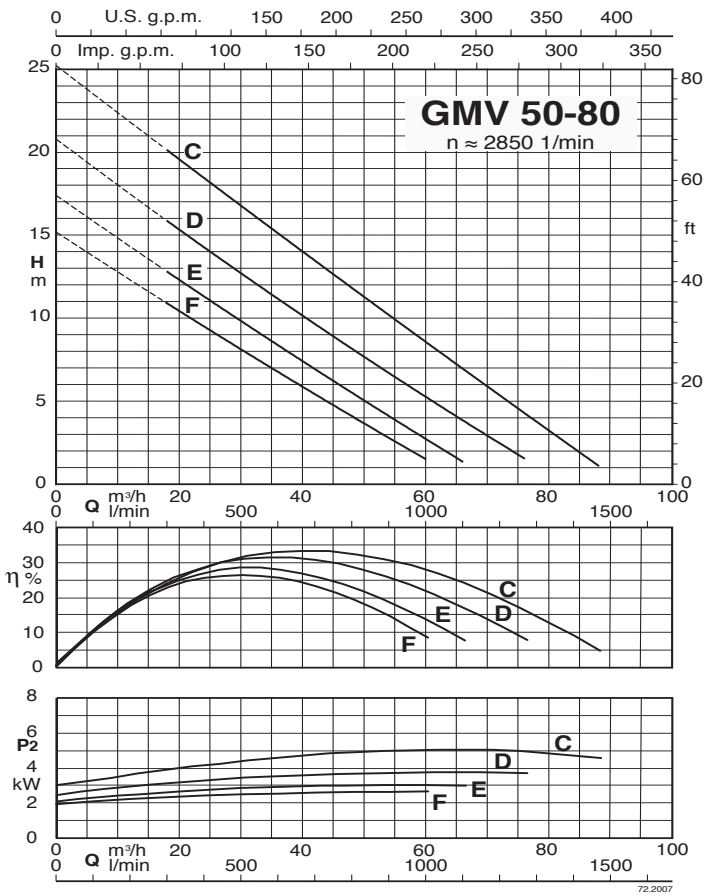
P₂ Rated power output

I_N Rated current

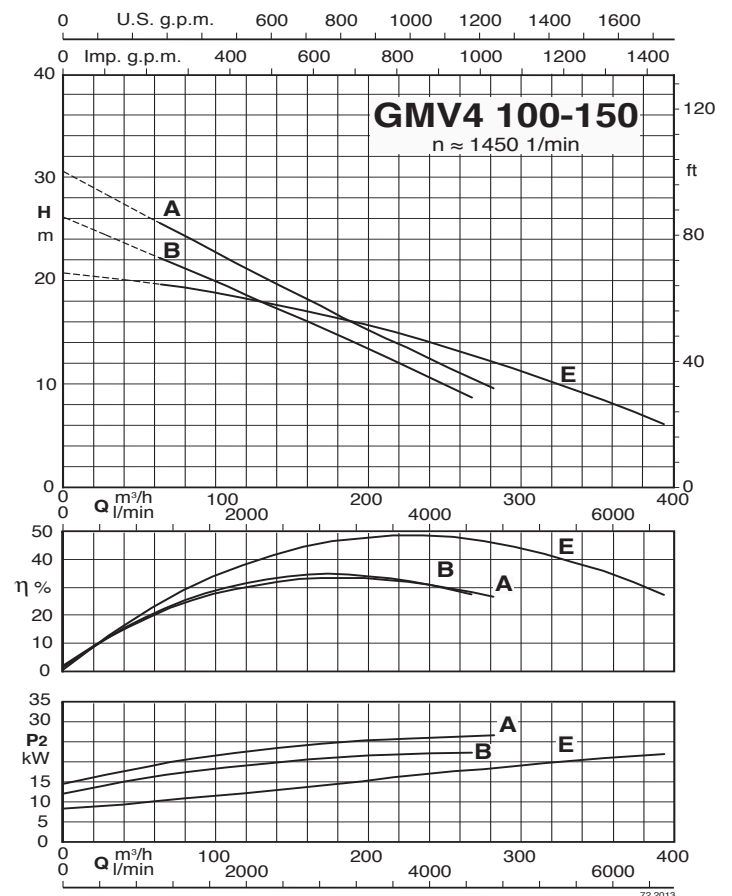
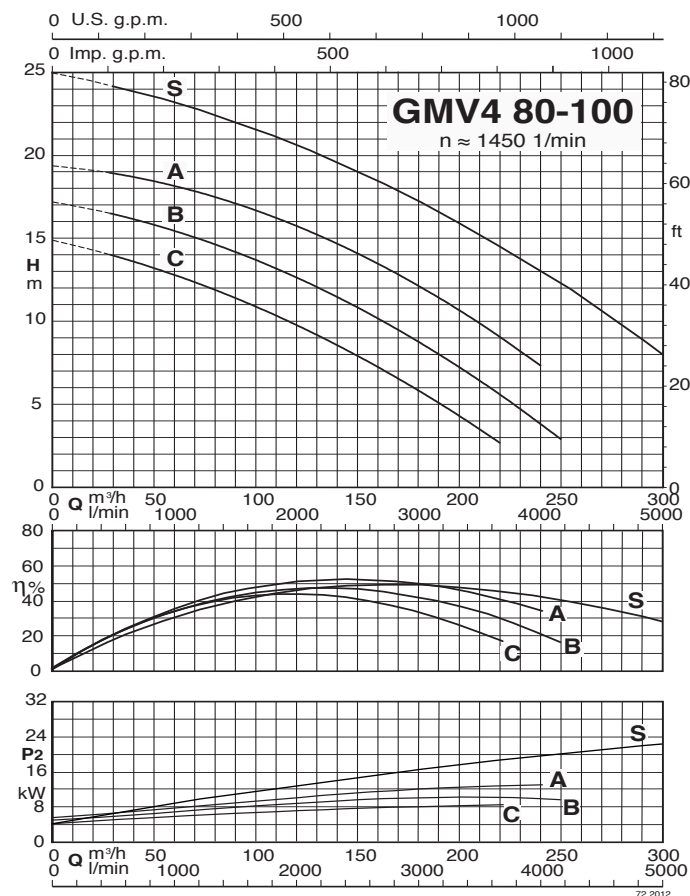
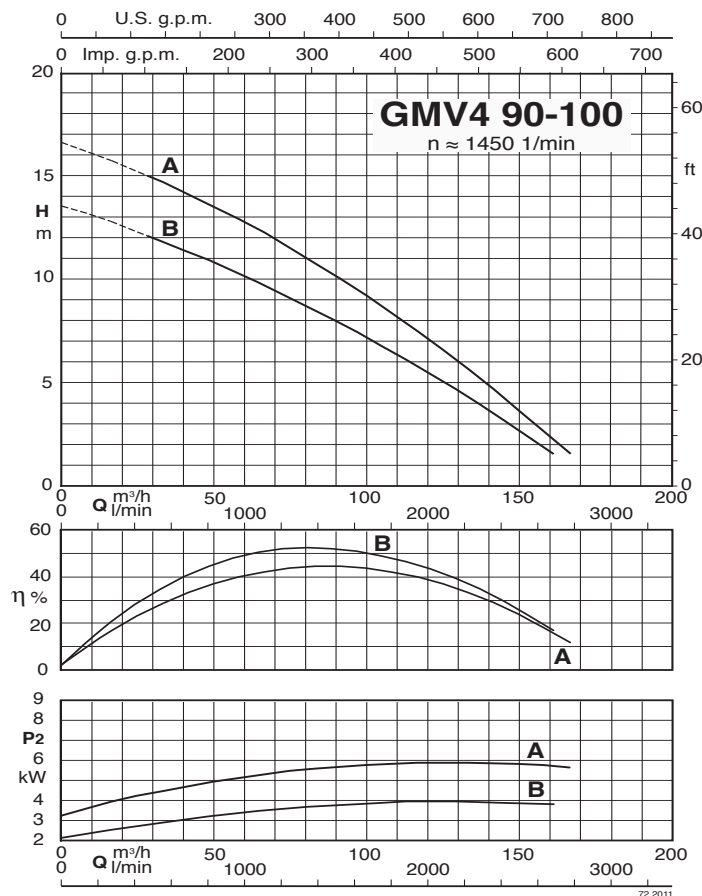
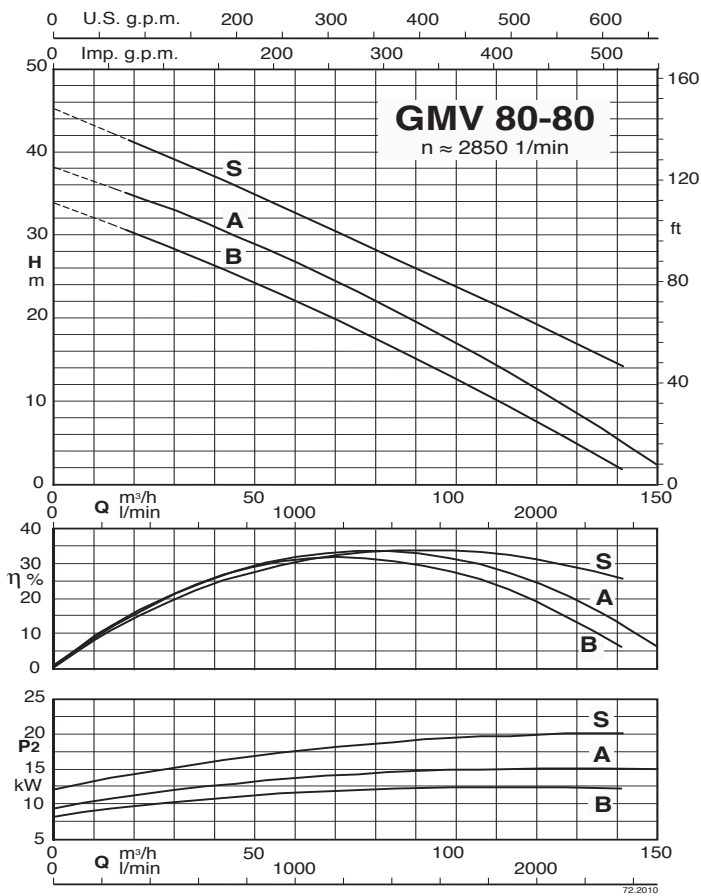
● Standard

✓ ATEX Eex Version on demand

Characteristic curves

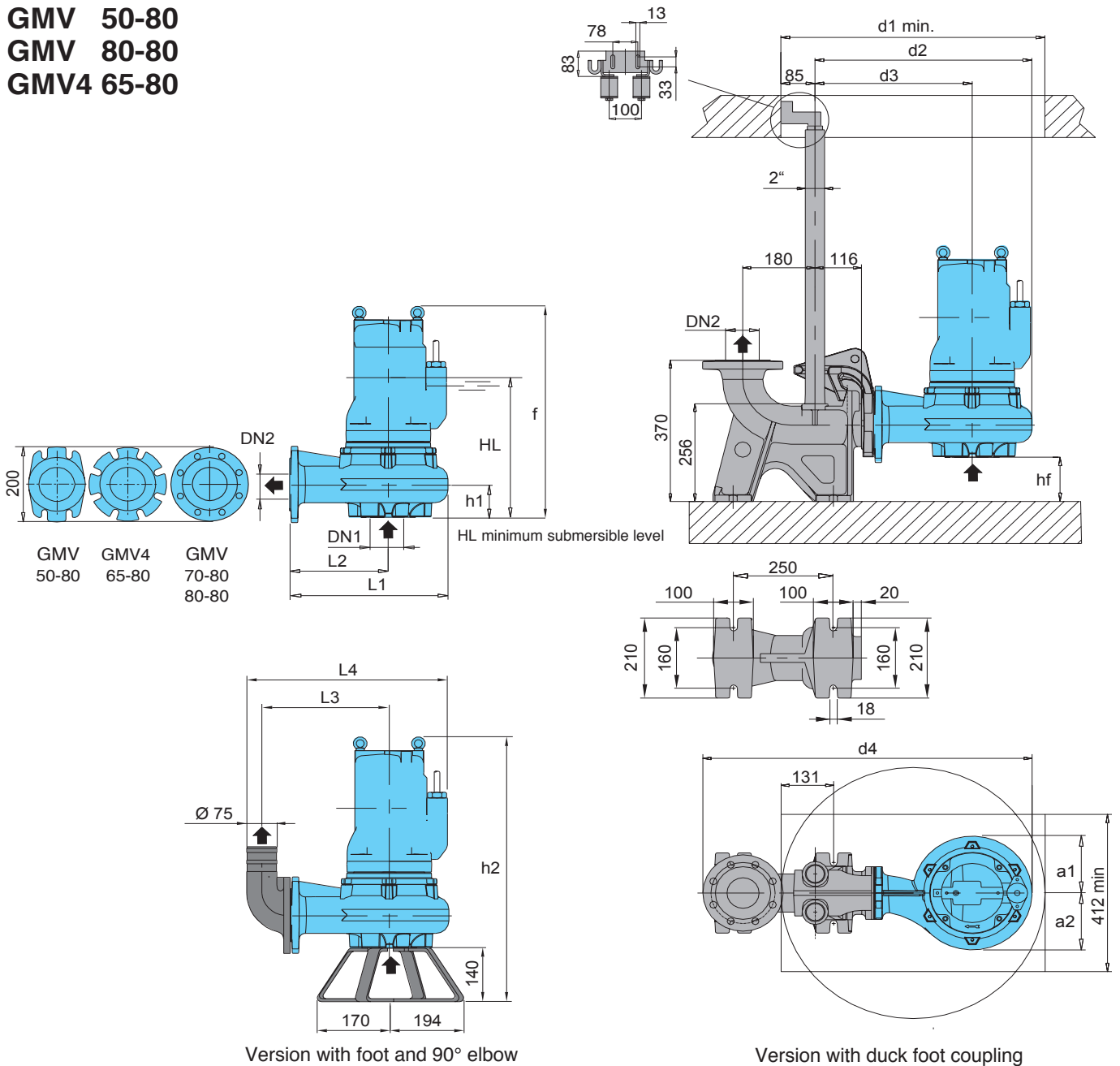


Characteristic curves



Dimensions and weights

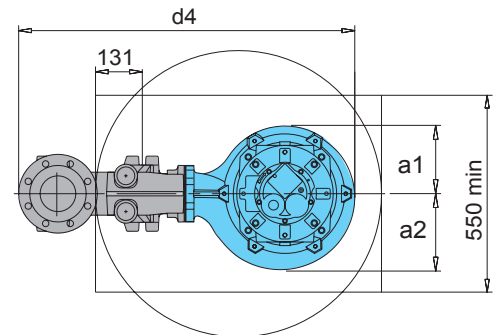
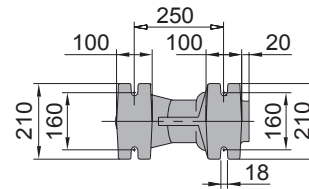
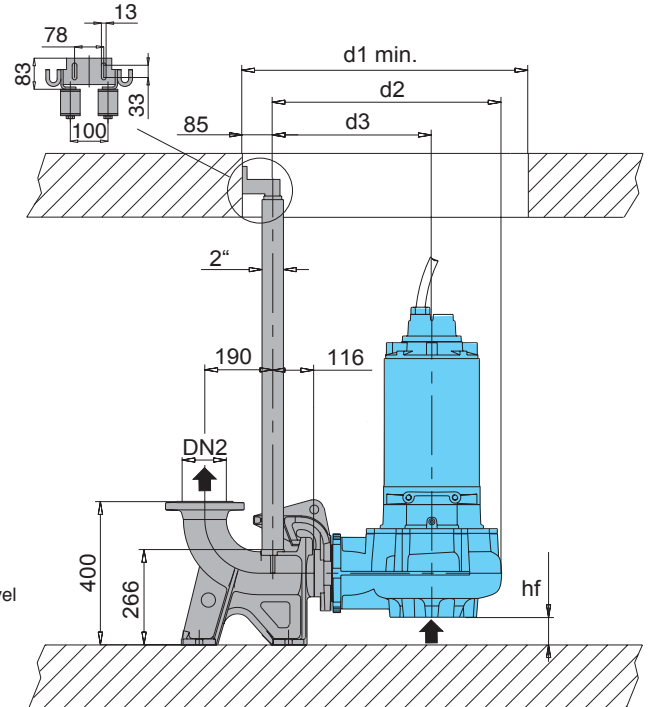
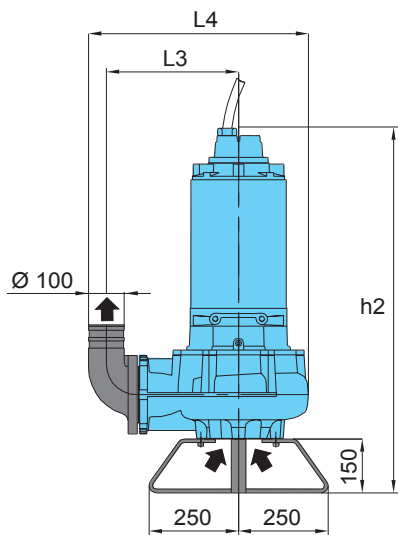
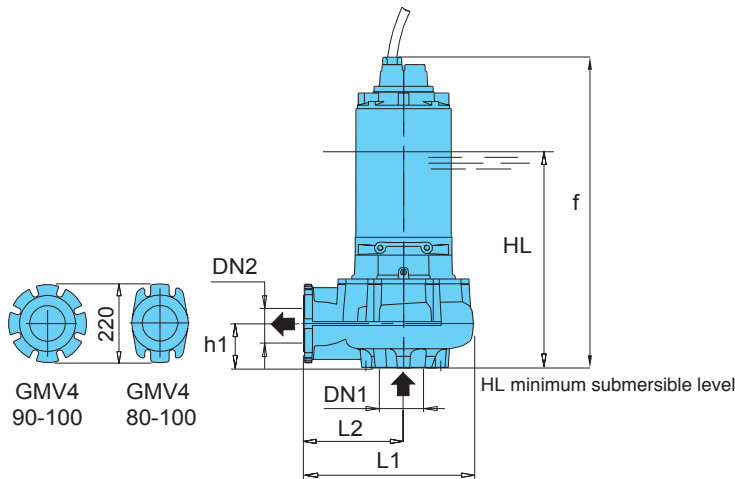
GMV 50-80
GMV 80-80
GMV4 65-80



TYPE	EN 1092-2 PN 10		Dimensions mm															Weight kg
	DN1	DN2	f	HL	hf	h1	h2	a1	a2	d1	d2	d3	d4	L1	L2	L3	L4	
GMV 50-80F	80	80	487	330	116	84	627	149	149	660	541	392	821	395	246	380	570	52
GMV 50-80E			553	365	116	84	693	149	149	660	541	392	821	395	246	380	570	84
GMV 50-80D			836	516	122	78	986	164	164	800	611	428	891	445	262	334	555	190
GMV 50-80C			829	500	65	135	969	167	167	800	633	446	913	467	262	353	576	160
GMV 50-80B	80	80	863	548	60	140	1018	169	175	900	671	481	950	505	315	388	612	190
GMV 50-80A			1328	586	127	142	1478	193	193	800	672	483	952	503	280	389	614	200
GMV 70-80B/A			516	380	80	121	656	143	169	700	548	396	828	402	250	323	512	64
GMV 70-80A/A			582	400	80	121	722	143	169	700	548	396	828	402	250	323	512	79
GMV 80-80B	80	80	516	380	80	121	656	143	169	700	548	396	828	402	250	323	512	64
GMV 80-80A			582	400	80	121	722	143	169	700	548	396	828	402	250	323	512	79
GMV 80-80S			516	380	80	121	656	143	169	700	548	396	828	402	250	323	512	64
GMV 80-80D			582	400	80	121	722	143	169	700	548	396	828	402	250	323	512	79
GMV4 65-80D	80	80	516	380	80	121	656	143	169	700	548	396	828	402	250	323	512	64
GMV4 65-80C			582	400	80	121	722	143	169	700	548	396	828	402	250	323	512	79
GMV4 65-80B			516	380	80	121	656	143	169	700	548	396	828	402	250	323	512	64
GMV4 65-80A			582	400	80	121	722	143	169	700	548	396	828	402	250	323	512	79

Dimensions and weights

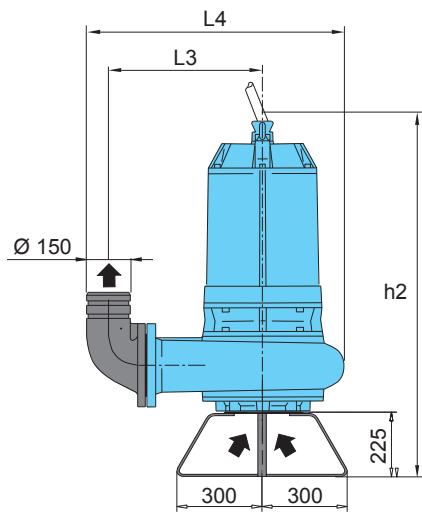
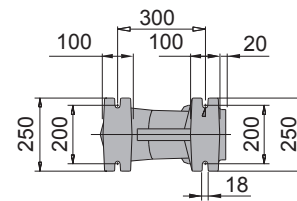
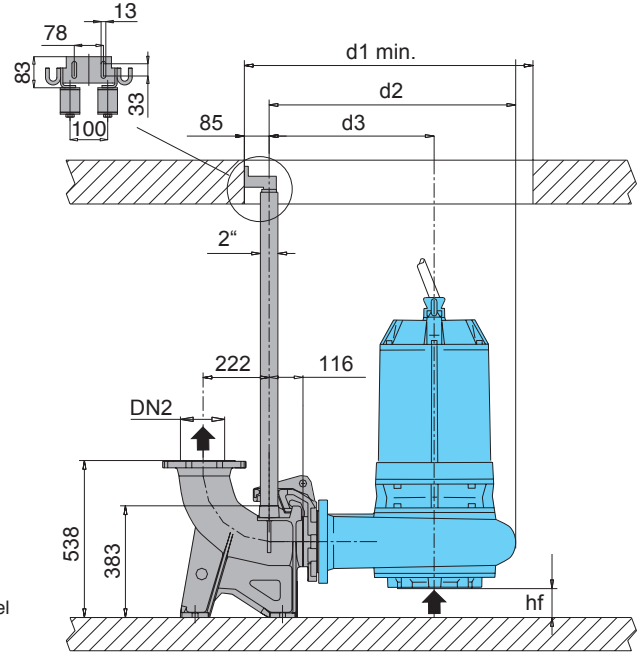
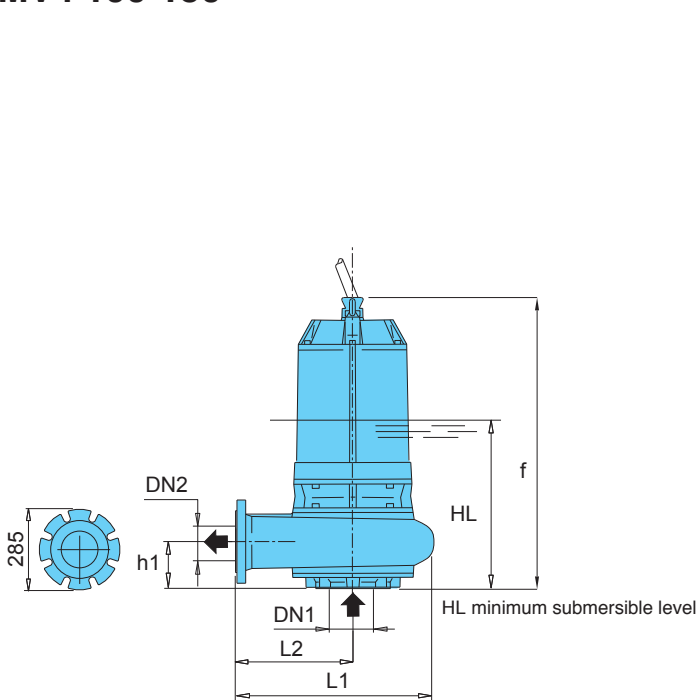
GMV4 90-100 GMV4 80-100



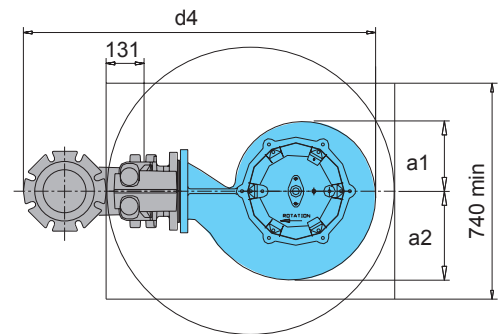
TYPE	EN 1092-2 PN 10		Dimensions mm															Weight kg
	DN1	DN2	f	HL	hf	h1	h2	a1	a2	d1	d2	d3	d4	L1	L2	L3	L4	
GMV4 90-100B	125	100	829	490	89	111	979	180	180	800	633	443	933	468	277	367	607	170
GMV4 90-100A																		
GMV4 80-100C	125	100	921	570	54	147	1091	189	212	800	640	445	940	474	279	369	614	200
GMV4 80-100B																		
GMV4 80-100A																		
GMV4 80-100S	125	100	1343	670	54	146	1497	193	212	800	640	441	936	475	280	370	615	340

Dimensions and weights

GMV4 100-150

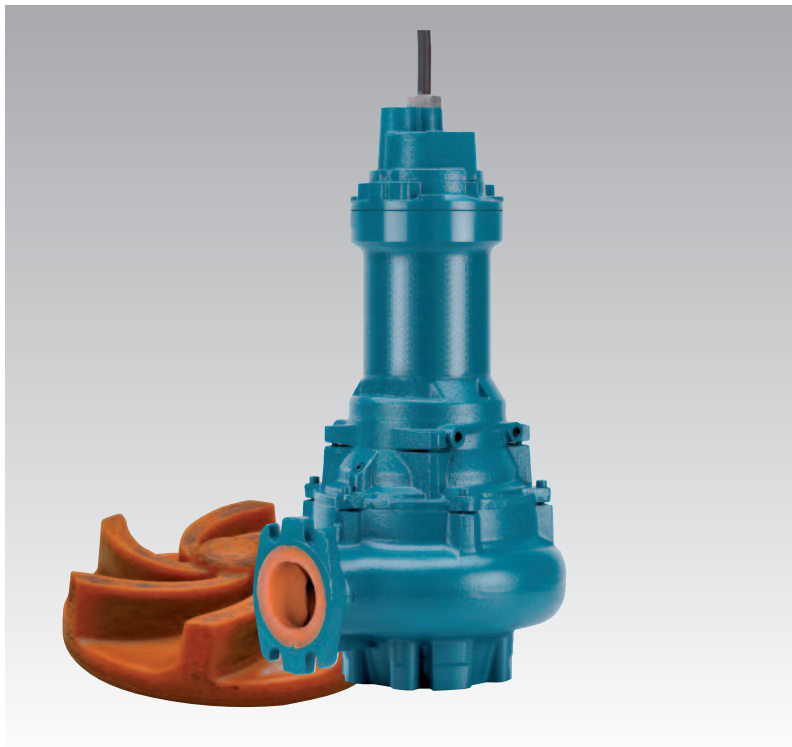


Version with foot and 90° elbow



Version with duck foot coupling

TYPE	EN 1092-2 PN 10		Dimensions mm															Weight kg
	DN1	DN2	f	HL	hf	h1	h2	a1	a2	d1	d2	d3	d4	L1	L2	L3	L4	
GMV4 100-150E	150	150	1359	710	114	146	1581	193	223	850	675	469	1040	486	280	431	712	355
GMV4 100-150B	150	150	1014	592	135	143	1236	264	264	1000	880	616	1249	714	450	580	919	361
GMV4 100-150A																		



Construction

Submersible pumps with vortex impeller
 Impeller in Polyurethane with a stainless steel core - Pump casing in Cast iron EN-GJL-250, with polyurethane coating for parts subject to high wear.
 Twin mechanical seal with oil chamber.
 Delivery connection DN 80.

Applications

The pumps are designed to suit applications in plants with an high sand presence, in marble work companies, in the ceramic industry, crystals machining or industrial processes handling abrasives liquids.
 Solid passage diameter from 35 mm.

Operating conditions

Liquid temperature up to 40 °C.
 Maximum immersion depth: 20 m (with suitable cable length).
 Continuous duty (with pump immersed at minimum level).

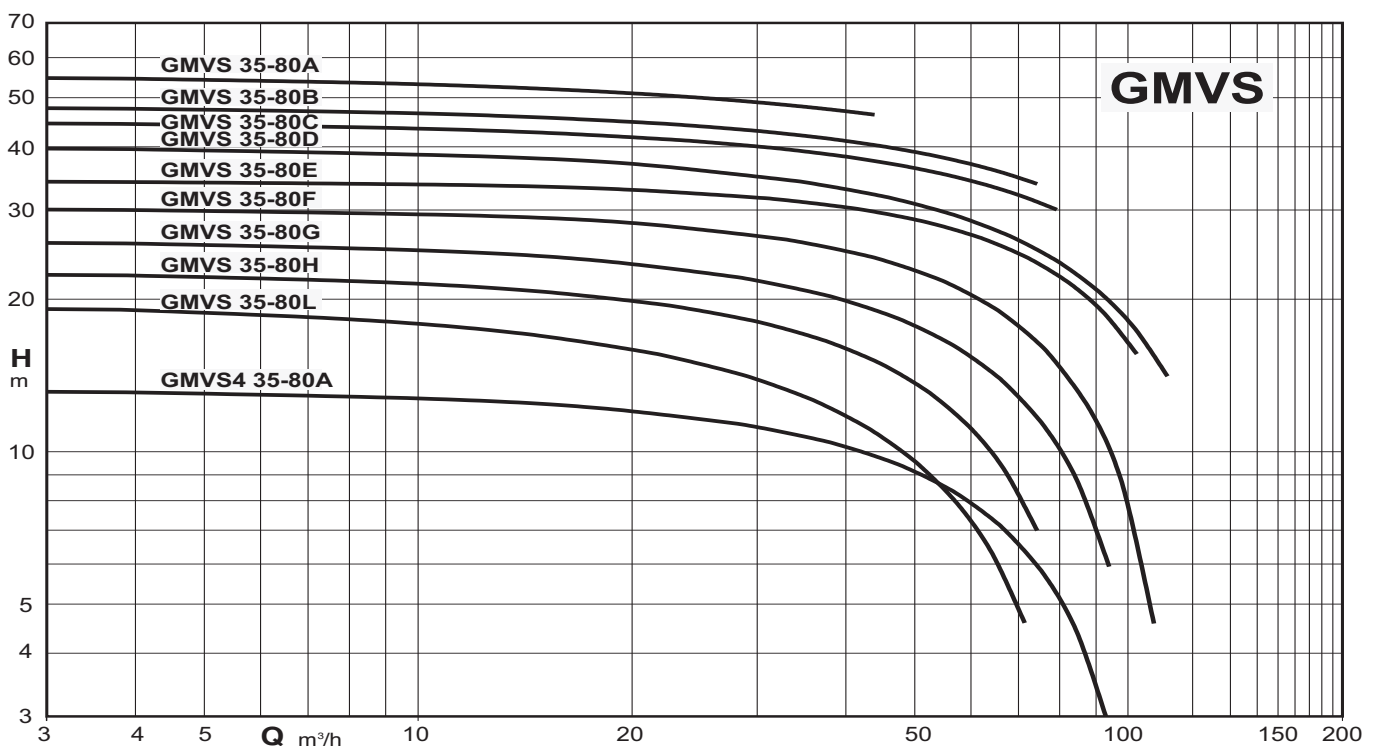
Motor

2 or 4 poles induction, 50Hz
 Three-phase version: 400/690V ± 10%
 Insulation Class: H
 Protection degree: IP 68
 N° of starting x hour: max 15 with regular intervals
 Cable: H07RN-F, length 10 m
 Other models: contact our sale office

Main materials

Pump casing: cast iron EN-GJL-250 with polyurethane coating
 Impeller: Polyurethane with a stainless steel core
 Motor casing: cast iron EN-GJL-250
 Motor cover: cast iron EN-GJL-250
 Shaft: stainless steel AISI 420B
 Mechanical seal motor side: graphite/ceramic
 Mechanical seal pump side: silicon carbide/silicon carbide

Coverage chart



Technical data

TYPE	P ₂ kW	I _N A	Power Supply	r.p.m.	Starting	DN mm	Free passage Ø mm	Thermal protector	Humidity probe	ATEX Eex
GMVS 35-80L	8,2	15,5	3~ 400/690V	2850	Y/Δ	80	35	●	●	
GMVS 35-80H	8,2	15,5	3~ 400/690V	2850	Y/Δ	80	35	●	●	
GMVS 35-80G	14,7	26,8	3~ 400/690V	2850	Y/Δ	80	35	●	●	
GMVS 35-80F	14,7	26,8	3~ 400/690V	2850	Y/Δ	80	35	●	●	
GMVS 35-80E	15,9	30	3~ 400/690V	2850	Y/Δ	80	35	●	●	
GMVS 35-80D	18,2	34	3~ 400/690V	2850	Y/Δ	80	35	●	●	
GMVS 35-80C	18,2	34	3~ 400/690V	2850	Y/Δ	80	35	●	●	
GMVS 35-80B	18,2	34	3~ 400/690V	2850	Y/Δ	80	35	●	●	
GMVS 35-80A	18,2	34	3~ 400/690V	2850	Y/Δ	80	35	●	●	
GMVS4 35-80A	7	13,2	3~ 400/690V	1450	Y/Δ	80	35	●	●	

P₂ Rated power output

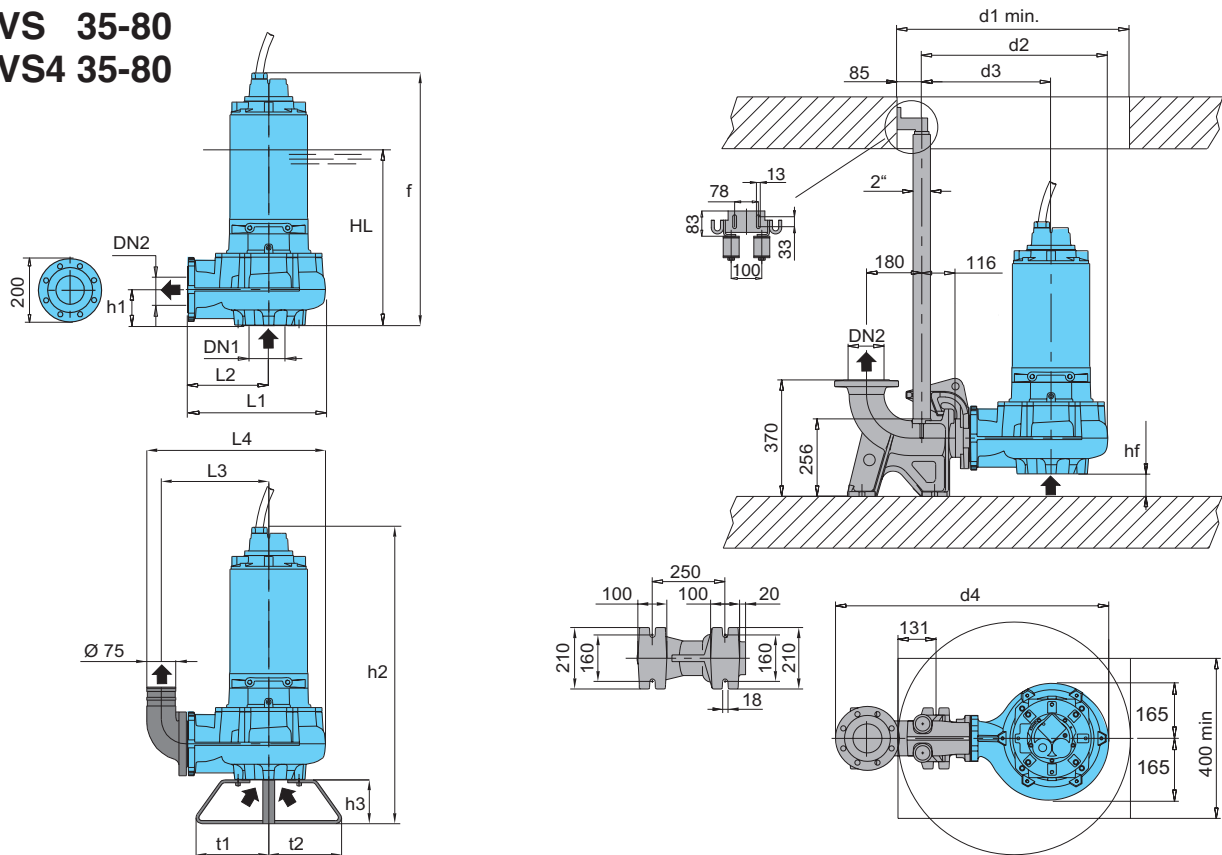
I_N Rated current

● Standard

✓ ATEX Eex Version on demand

Dimensions and weights

GMVS 35-80 GMVS4 35-80



TYPE	EN 1092-2 PN 10		Dimensions mm																Weight kg
	DN1	DN2	f	HL	hf	h1	h2	h3	t1	t2	d1	d2	d3	d4	L1	L2	L3	L4	
GMVS 35-80L	80	80	796	468	122	78	936	140	200	200	800	593	408	873	427	242	314	537	150
GMVS 35-80H																			
GMVS 35-80G																			
GMVS 35-80F																			
GMVS 35-80E																			
GMVS 35-80D	80	80	867	514	124	100	1017	150	250	250	800	593	408	873	427	242	314	537	191
GMVS 35-80C																			
GMVS 35-80B																			
GMVS 35-80A																			
GMVS4 35-80A	80	80	796	468	122	78	936	140	200	200	800	593	408	873	427	242	314	537	160



Main materials

Pump casing: cast iron EN-GJL-250 - Impeller: cast iron EN-GJL-250+Ni
 Motor casing, Motor cover: cast iron EN-GJL-250
 Motor shaft: stainless steel AISI 420B
 Lip seal made of nitrile up to 1,4 kW
 Mechanical seal motor side: graphite/ceramic over 1,4 kW
 Mechanical seal pump side: silicon carbide/silicon carbide

Construction

Submersible pumps with single channel impeller.
 Twin mechanical seal with oil chamber (lip-seal motor side up to 1,4 kW).
 Delivery connection DN 50-65-80-100-150

Applications

Suitable to pump slurry, sewage, waste water (non-corrosive).
 In industrial and residential installations and drainag applications
 Solid passage from 40 to 100mm

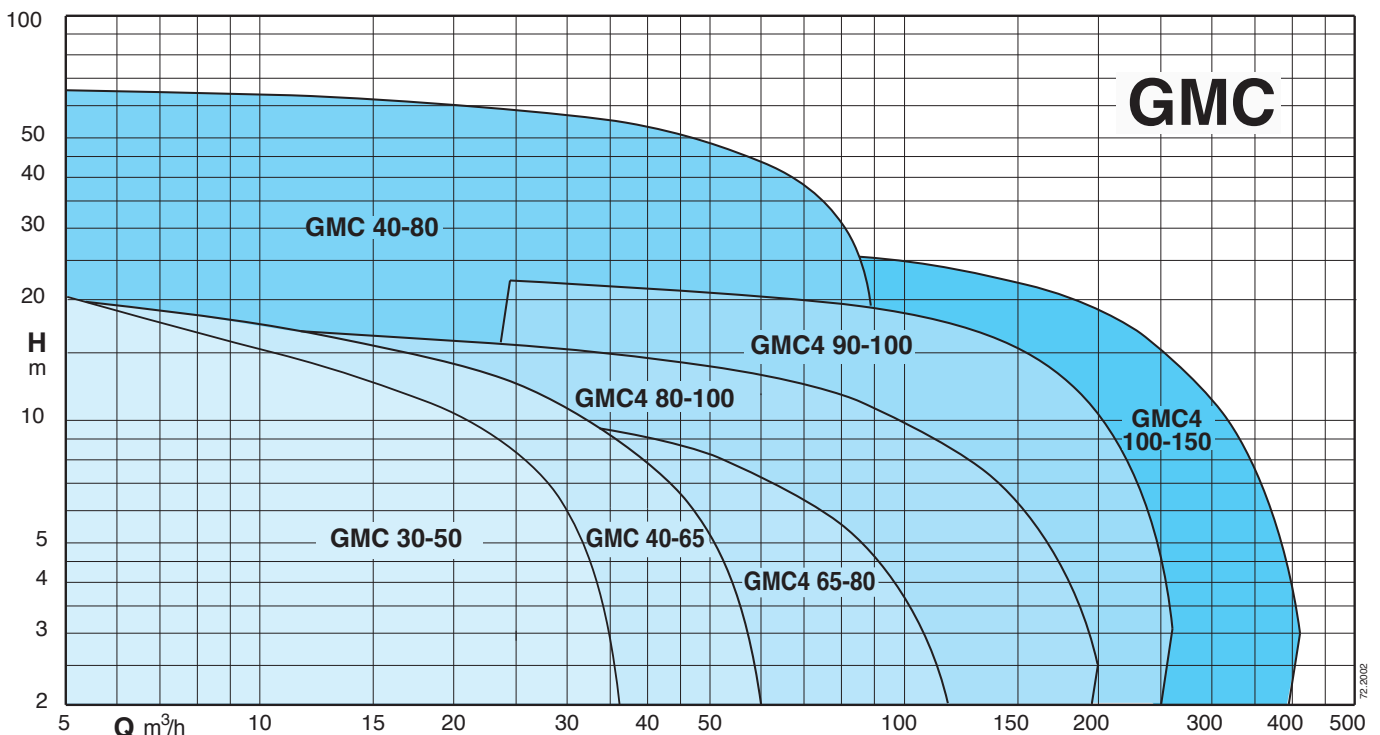
Operating conditions

Liquid temperature up to 40 °C.
 Maximum immersion depth: 20 m (with suitable cable length).
 Continuous duty (with pump immersed at minimum level).

Motor

2 or 4 poles induction, 50Hz
 Single-phase version: 230V ± 10%, with float switch and built-in capacitor.
 Three-phase version: 400V ± 10%, up to 3,2 kW
 400/690V ± 10%, over 3,2 kW
 Insulation class: H
 Protection degree: IP 68
 N° of starting x hour: max 15 with regular intervals
 Cable: H07RN-F, length 10 m
 Other models: contact our sale office

Coverage chart



Technical data

TYPE	P ₂ kW	I _N A	Power Supply	r.p.m.	Starting	DN mm	Free passage Ø mm	Thermal protector	Humidity probe	ATEX Eex
GCMC 30-50B	1,1	7,5	1~ 230V	2850	D.O.L.	50	30	●	NO	
GMC 30-50B	1,4	3	3~ 400V	2850	D.O.L.	50	30	NO	NO	
GMC 30-50A	1,4	3	3~ 400V	2850	D.O.L.	50	30	NO	NO	
GCMC 40-65B	1,8	10	1~ 230V	2850	D.O.L.	65	40	NO	NO	✓
GMC 40-65B	2,4	5	3~ 400V	2850	D.O.L.	65	40	NO	NO	✓
GMC 40-65A	2,9	6	3~ 400V	2850	D.O.L.	65	40	NO	NO	✓
GMC 40-80D	13,8	29,5	3~ 400/690V	2850	Y/Δ	80	40	●	●	✓
GMC 40-80C	13,8	29,5	3~ 400/690V	2850	Y/Δ	80	40	●	●	✓
GMC 40-80B	18,2	34	3~ 400/690V	2850	Y/Δ	80	40	●	●	✓
GMC 40-80A	18,2	34	3~ 400/690V	2850	Y/Δ	80	40	●	●	✓
GMC4M 65-80C	1,2	8,5	1~ 230V	1450	D.O.L.	80	65	●	NO	✓
GMC4 65-80C	1,3	3,5	3~ 400V	1450	D.O.L.	80	65	NO	NO	✓
GMC4 65-80B	2,3	5	3~ 400V	1450	D.O.L.	80	65	NO	NO	✓
GMC4 65-80A	2,8	6,5	3~ 400V	1450	D.O.L.	80	65	NO	NO	✓
GMC4 75-80A	2,8	6,5	3~ 400V	1450	D.O.L.	80	75	NO	NO	✓
GMC4 80-100C	3,8	8	3~ 400/690V	1450	Y/Δ	100	80	●	●	✓
GMC4 80-100B	3,8	8	3~ 400/690V	1450	Y/Δ	100	80	●	●	✓
GMC4 80-100A	5	11	3~ 400/690V	1450	Y/Δ	100	80	●	●	✓
GMC4 90-100B	11,6	23,2	3~ 400/690V	1450	Y/Δ	100	90	●	●	✓
GMC4 90-100A	14,4	29,5	3~ 400/690V	1450	Y/Δ	100	90	●	●	✓
GMC4 100-150C	14,4	29,5	3~ 400/690V	1450	Y/Δ	150	100	●	●	✓
GMC4 100-150B/A	17,8	32,5	3~ 400/690V	1450	Y/Δ	150	100	●	●	✓
GMC4 100-150A/A	21	43,1	3~ 400/690V	1450	Y/Δ	150	100	●	●	✓

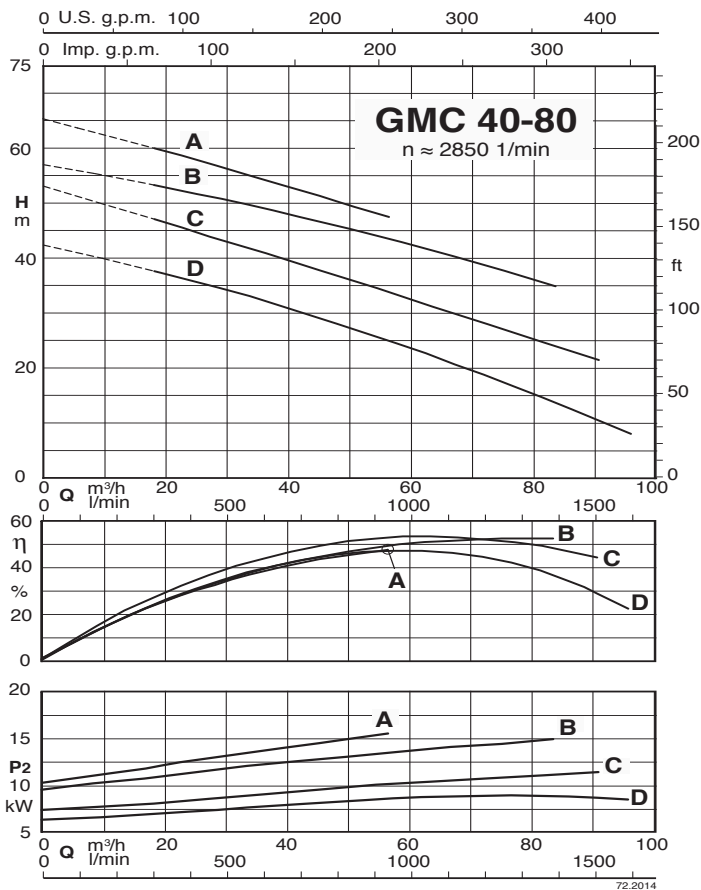
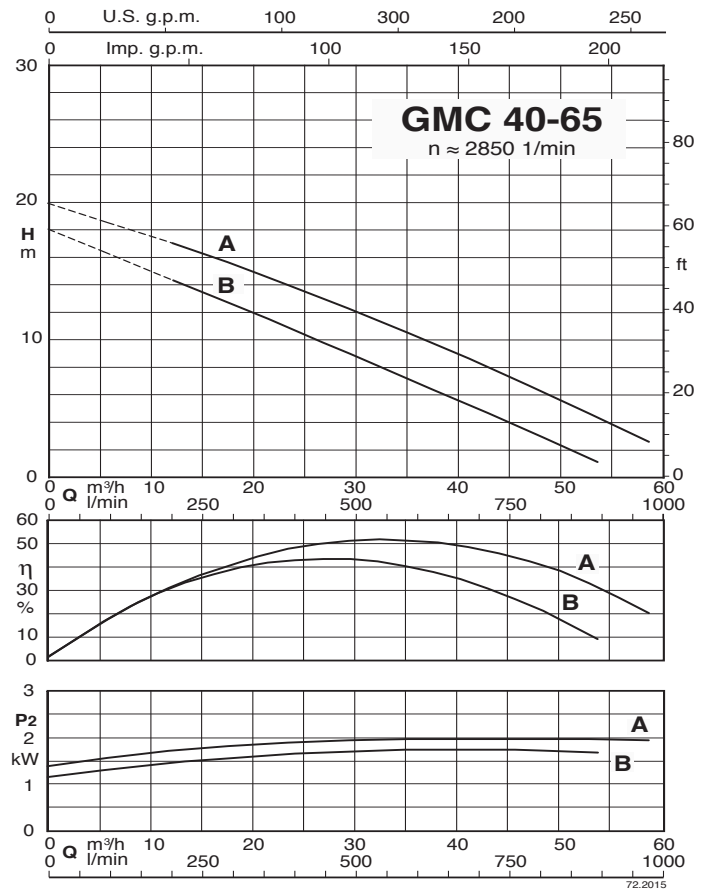
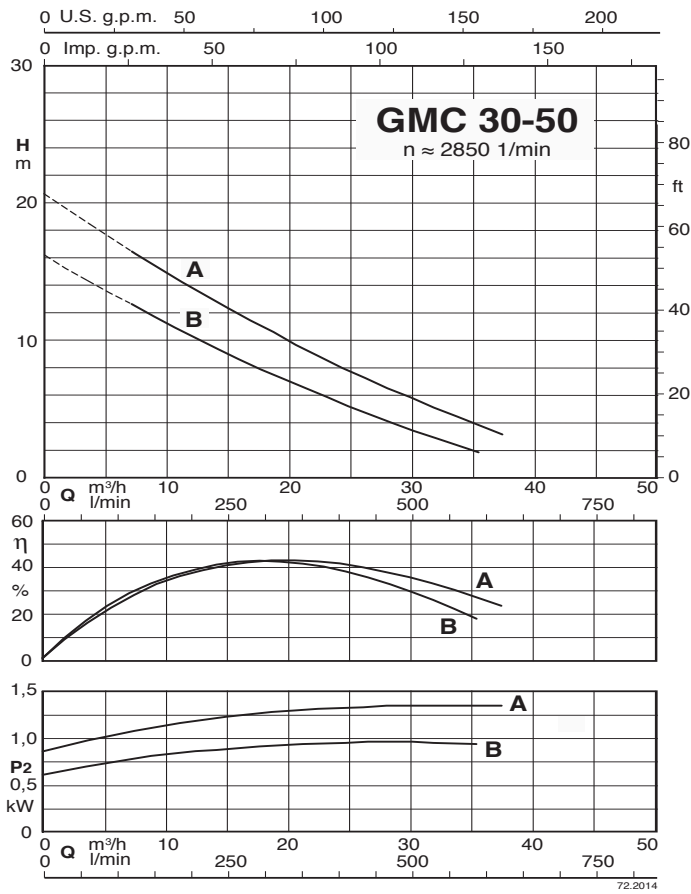
 P₂ Rated power output

 I_N Rated current

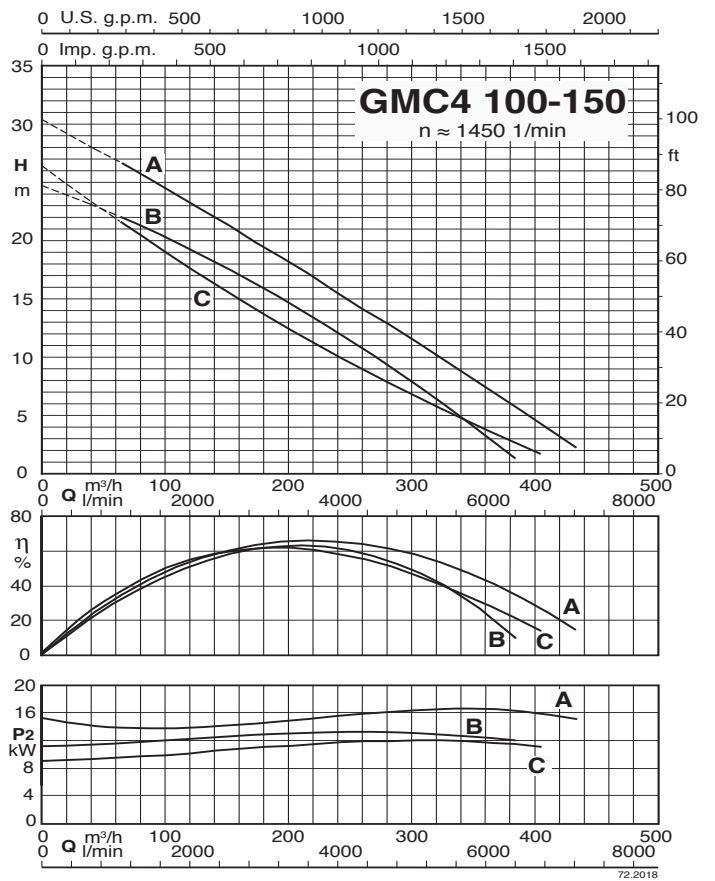
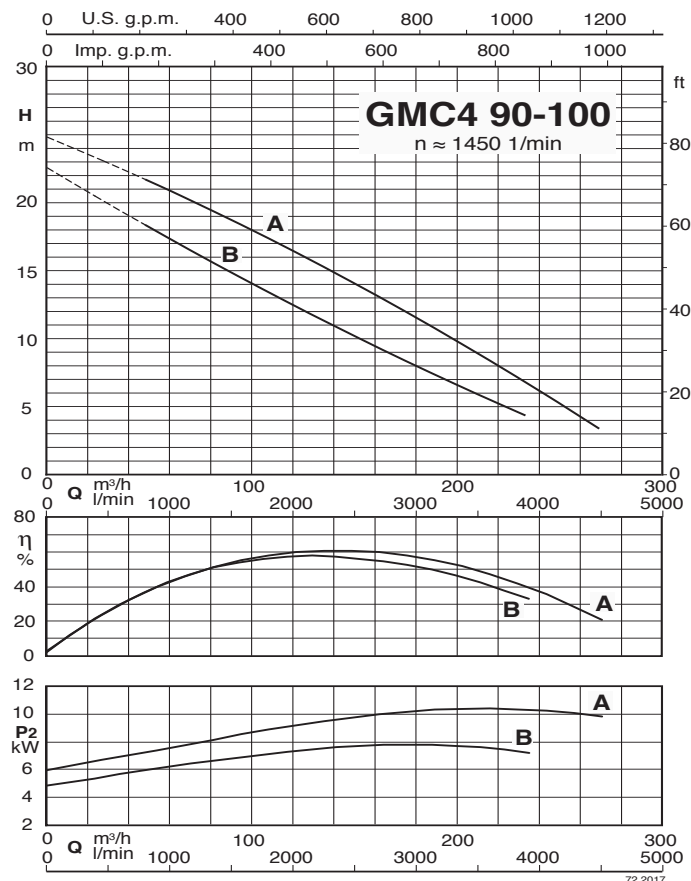
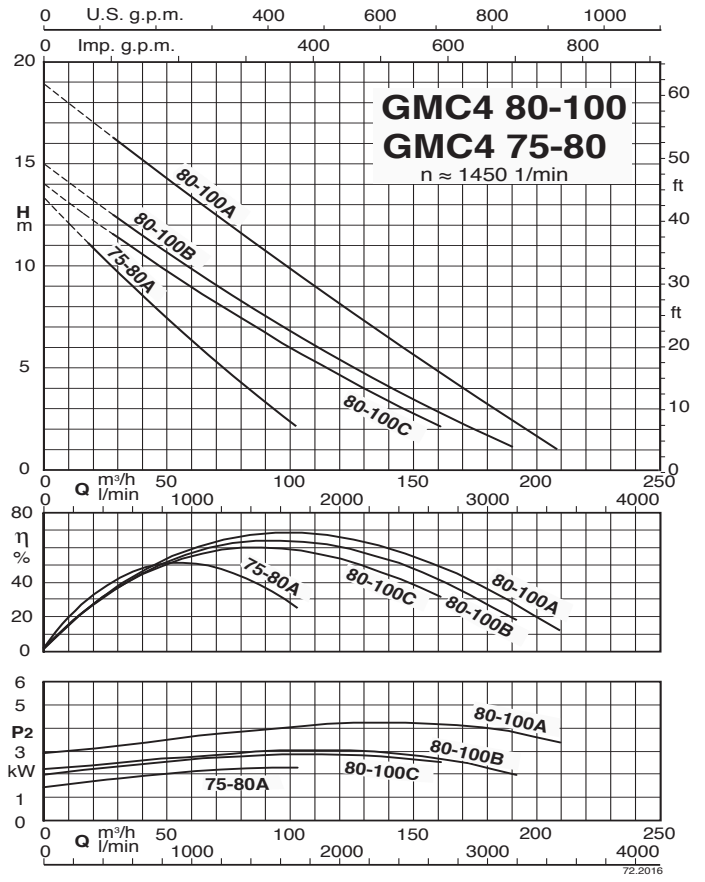
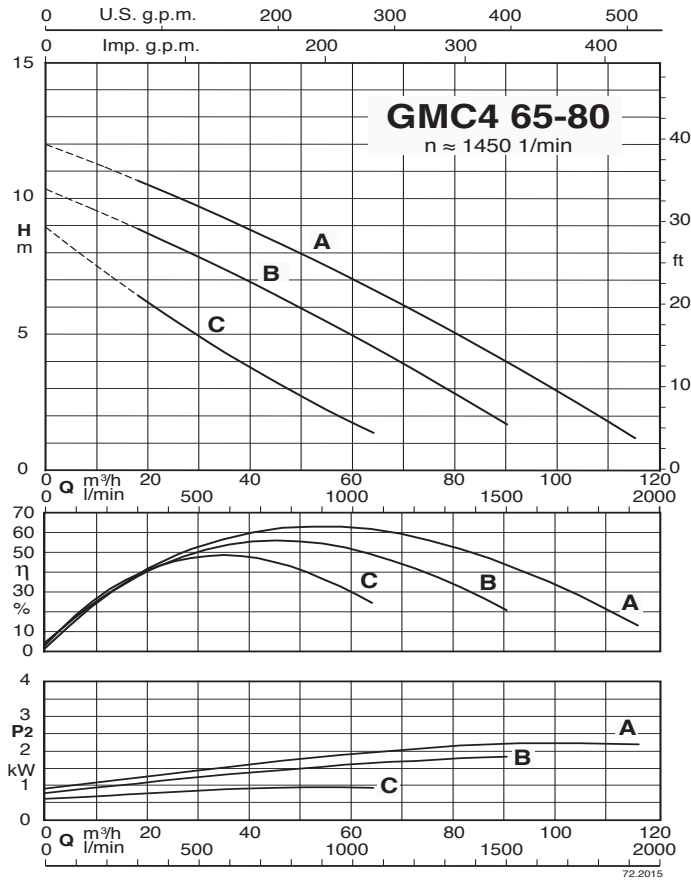
● Standard

✓ ATEX Eex Version on demand

Characteristic curves

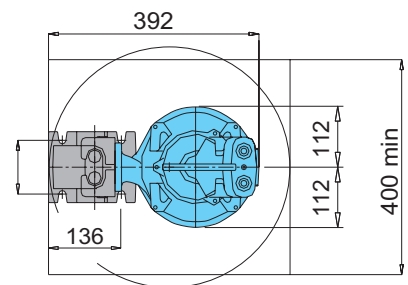
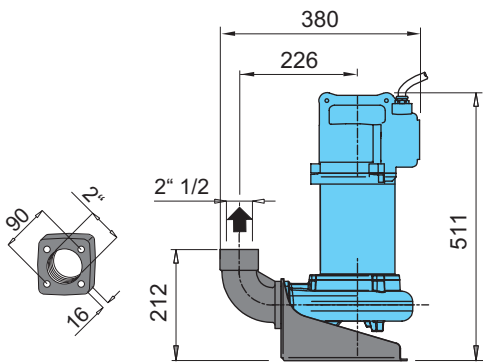
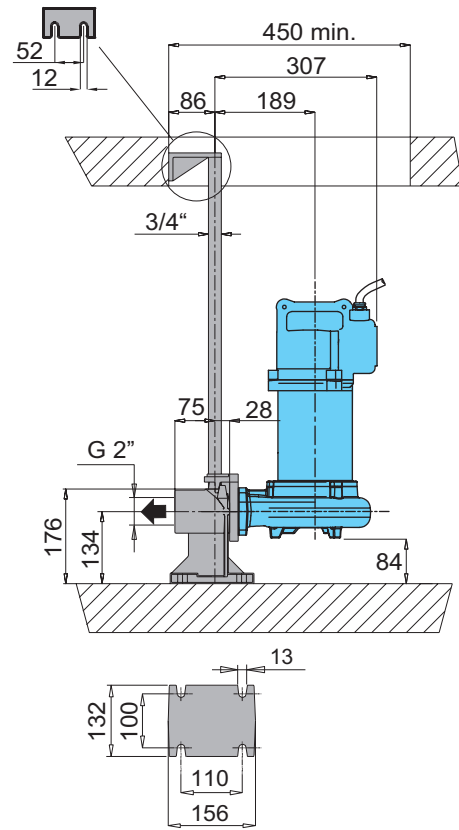
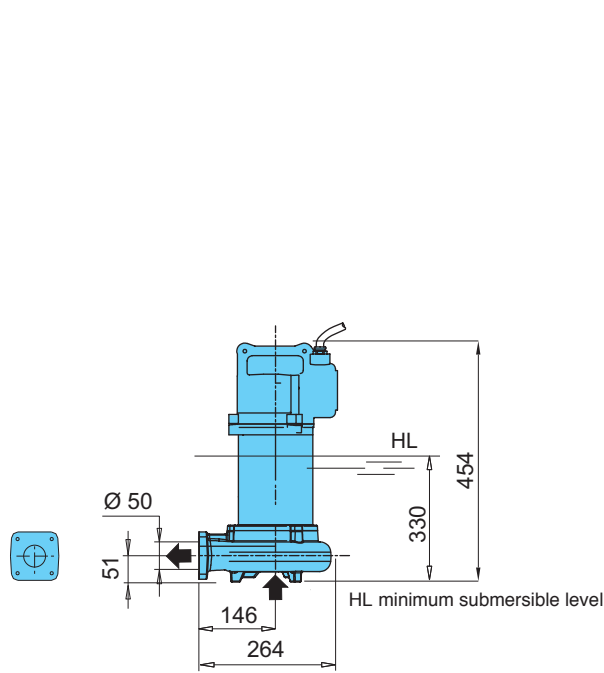


Characteristic curves



Dimensions and weights

GMC 30-50



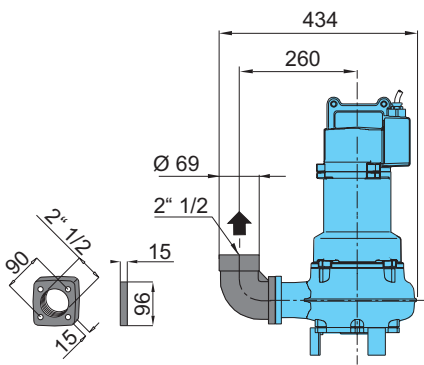
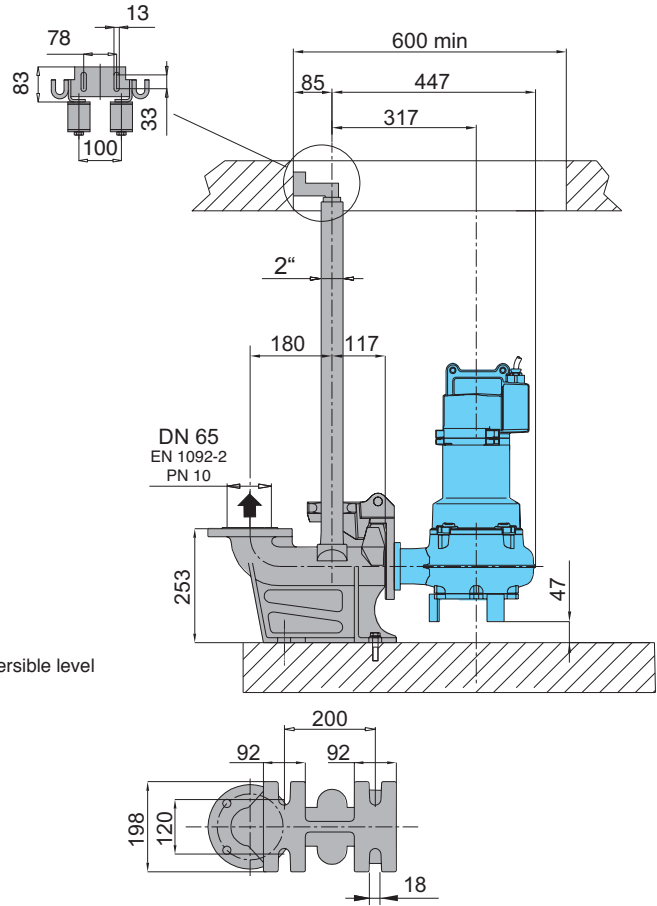
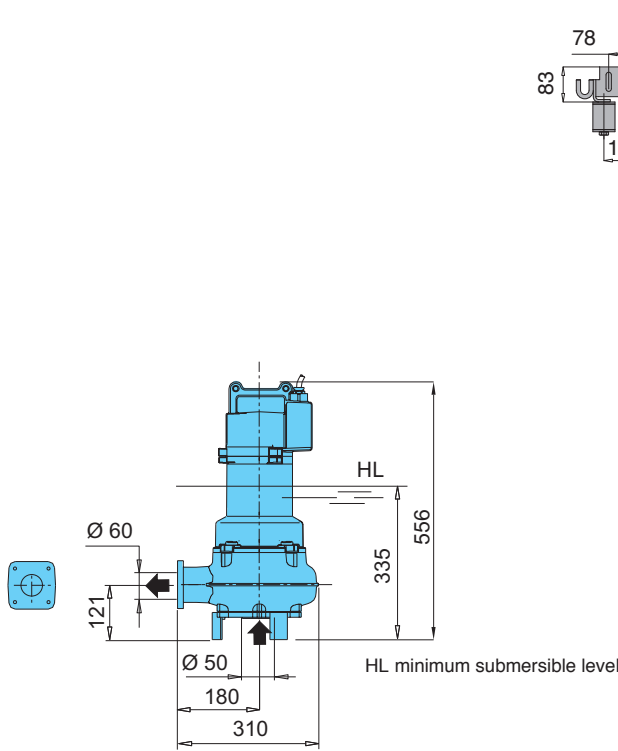
Version with foot and 90° elbow

Version with duck foot coupling

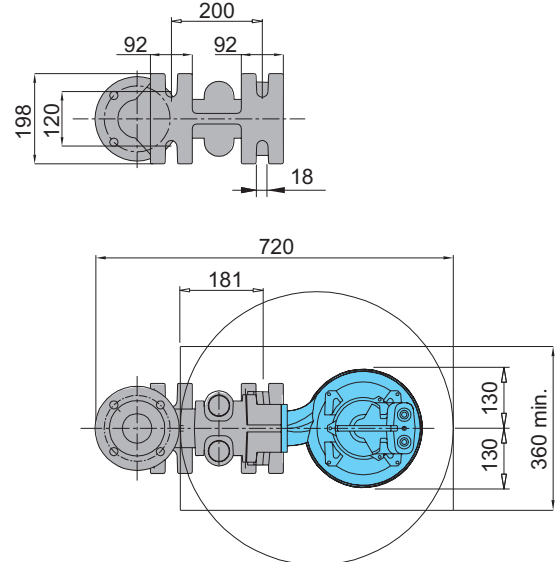
TYPE	Weight kg
GMCM 30-50B	45
GMC 30-50B	
GMC 30-50A	

Dimensions and weights

GMC 40-65



Version with foot and 90° elbow

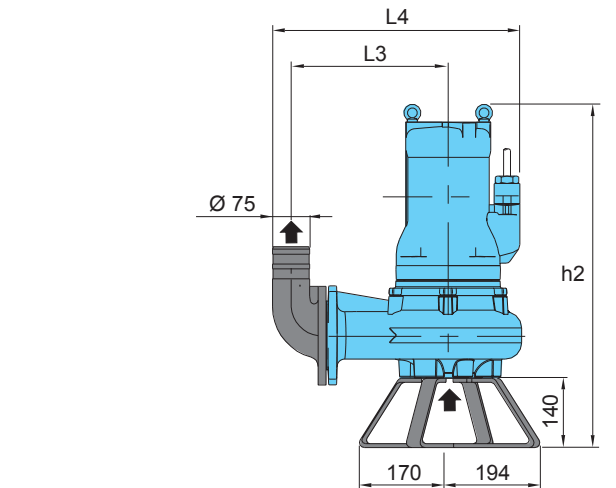
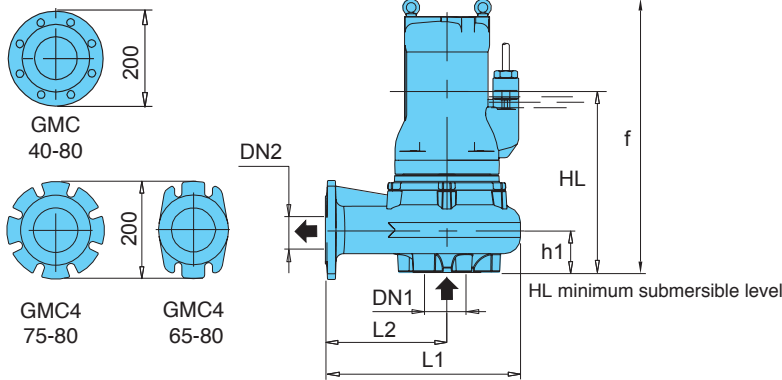


Version with duck foot coupling

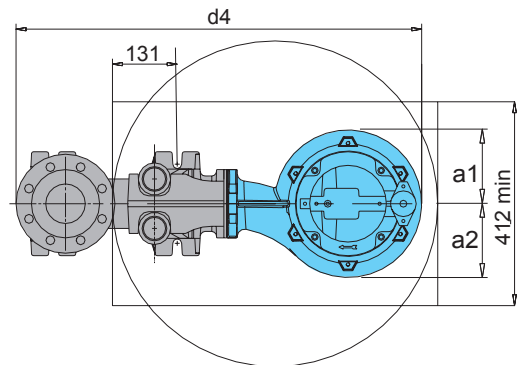
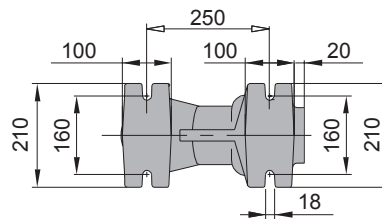
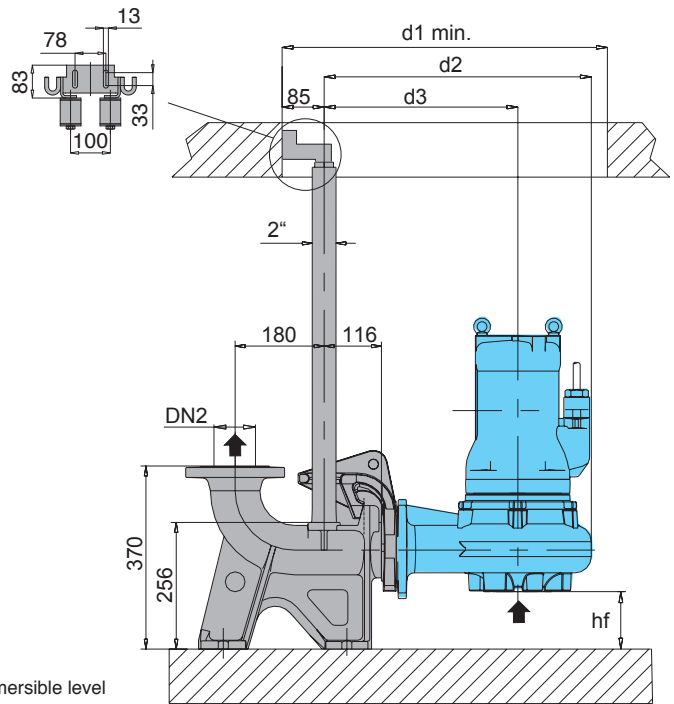
TYPE	Weight kg
GMCM 40-65B	45
GMC 40-65B	
GMC 40-65A	

Dimensions and weights

- GMC 40-80
- GMC4M 65-80
- GMC4 65-80
- GMC4 75-80



Version with foot and 90° elbow



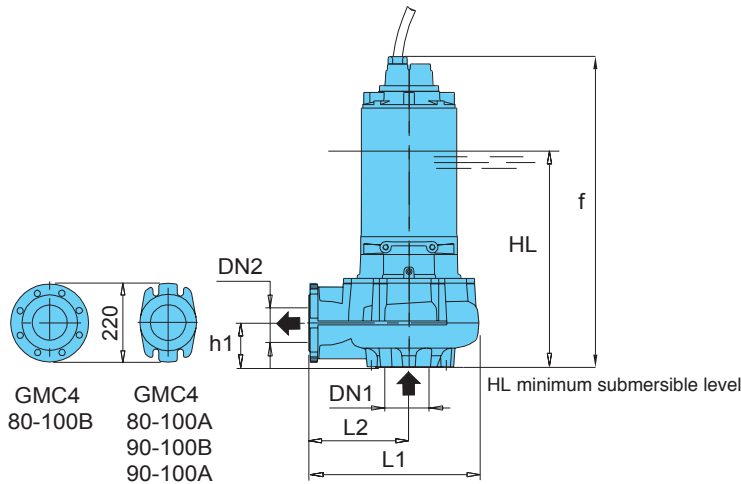
Version with duck foot coupling

TYPE	EN 1092-2 PN 10		Dimensions mm														Weight kg	
	DN1	DN2	f	HL	hf	h1	h2	a1	a2	d1	d2	d3	d4	L1	L2	L3		L4
GMC 40-80D	80	80	890	523	85	116	1040	168	168	750	603	416	883	437	250	323	547	190
GMC 40-80C																		
GMC 40-80B																		
GMC 40-80A																		
GMC4M 65-80C	80	80	533	330	104	100	673	132	132	658	498	366	775	332	200	273	442	49
GMC4 65-80C																		
GMC4 65-80B																		
GMC4 65-80A																		
GMC4 75-80A	80	80	519	360	84	116	659	136	157	658	511	366	791	365	220	293	475	67

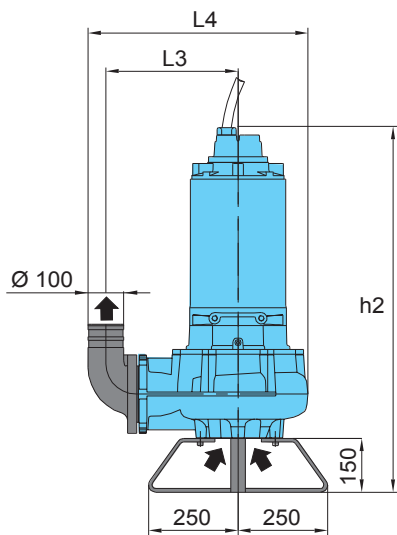
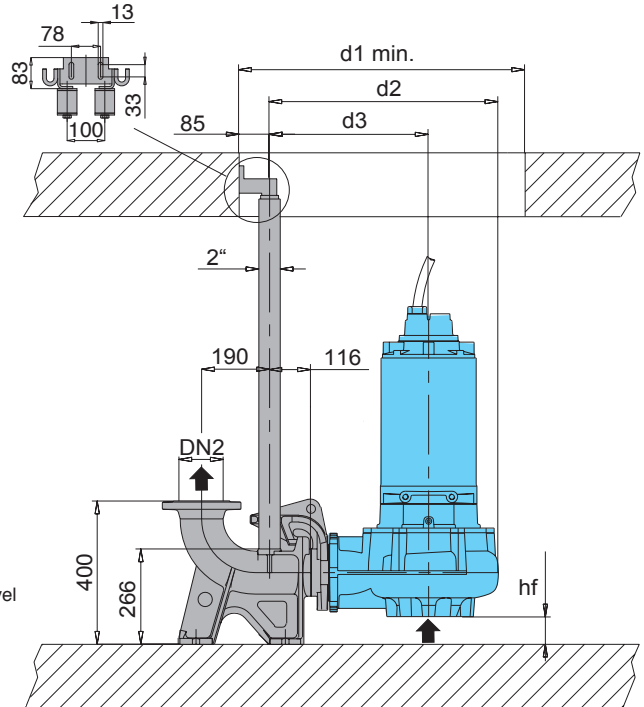
Dimensions and weights

GMC4 80-100

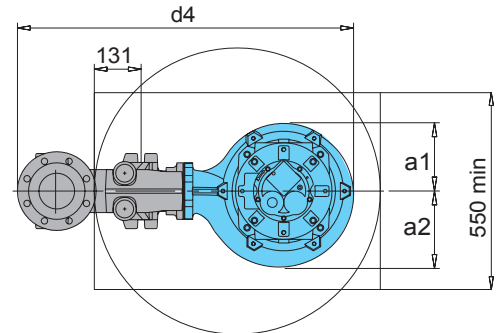
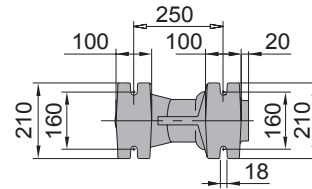
GMC4 90-100



GMC4 80-100B	GMC4 80-100A 90-100B 90-100A
-----------------	---------------------------------------



Version with foot and 90° elbow

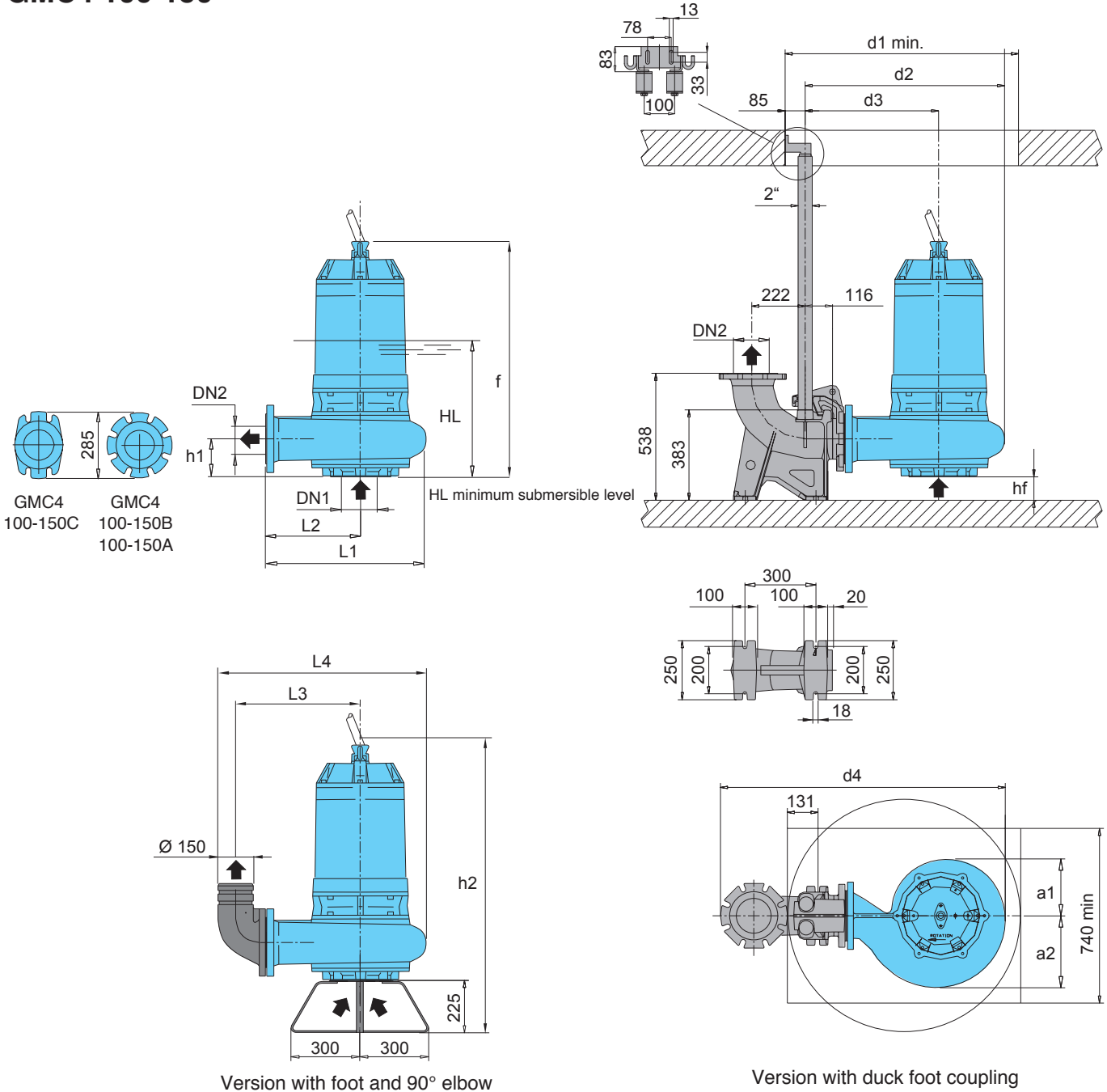


Version with duck foot coupling

TYPE	EN 1092-2 PN 10		Dimensions mm																Weight kg
	DN1	DN2	f	HL	hf	h1	h2	a1	a2	d1	d2	d3	d4	L1	L2	L3	L4		
GMC4 80-100C GMC4 80-100B	125	100	597	420	62	138	747	180	231	850	673	466	973	507	300	390	647	117	
GMC4 80-100A	125	100	852	520	54	147	1002	189	212	800	640	445	940	474	279	369	614	161	
GMC4 90-100B GMC4 90-100A	125	100	920	570	54	147	1070	189	212	800	640	445	940	474	279	369	614	204	

Dimensions and weights

GMC4 100-150



TYPE	EN 1092-2 PN 10		Dimensions mm														Weight kg	
	DN1	DN2	f	HL	hf	h1	h2	a1	a2	d1	d2	d3	d4	L1	L2	L3		L4
GMC4 100-150C	150	150	933	580	113	147	1155	191	223	850	673	467	1038	507	301	431	712	218
GMC4 100-150B/A	150	150	1354	660	80	180	1494	239	304	990	840	566	1208	673	400	530	875	375
GMC4 100-150A/A			1410	760			1632											



Construction

Submersible pumps with channels impeller.
Twin mechanical seal with oil chamber.
Delivery connection DN 65-80-100-150-200-250-300.

Applications

Suitable to pump slurry, sewage and waste water (non-corrosive) with solids in suspension.
For industrial and residential installations and general drainage applications.
They are ideal for applications with smaller solids.
Solid passage from 30 to 140 mm

Operating conditions

Liquid temperature up to 40 °C.
Maximum immersion depth: 20 m (with suitable cable length).
Continuous duty (with pump immersed at minimum level).

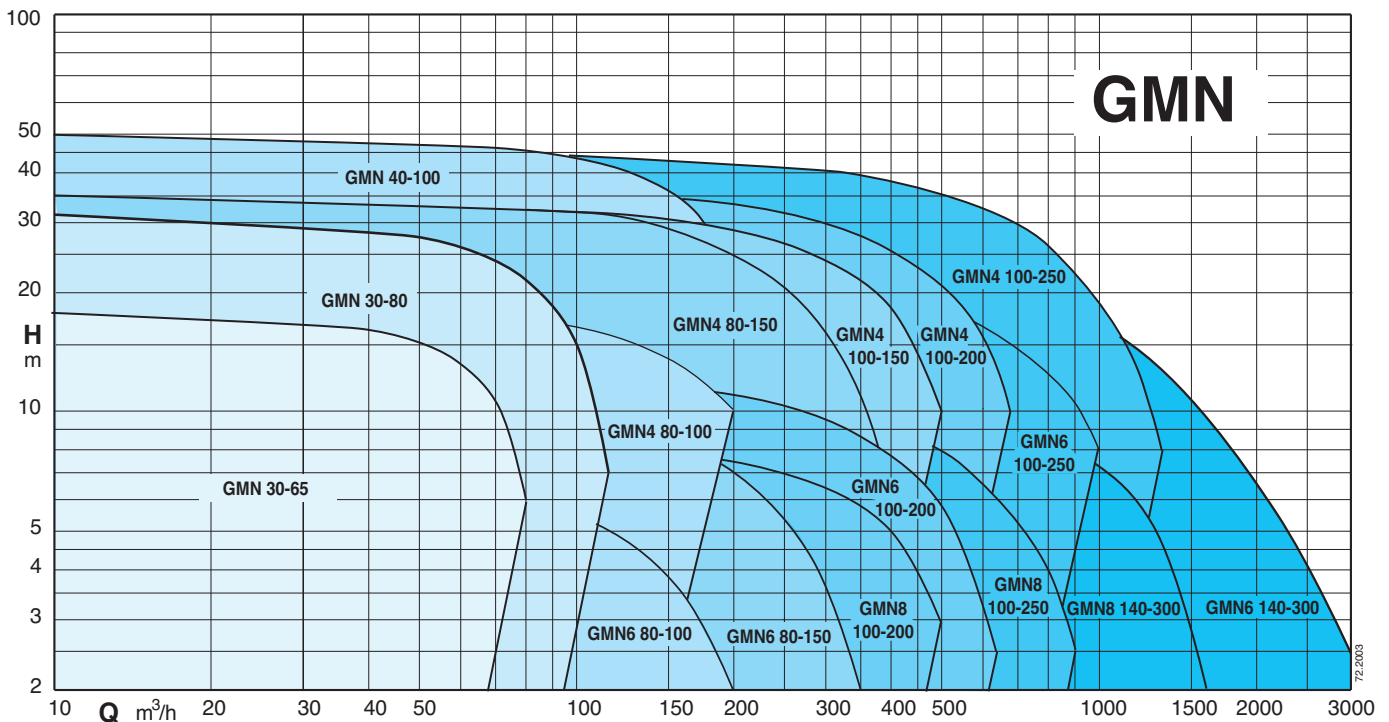
Main materials

Pump casing: cast iron EN-GJL-250
Impeller: cast iron EN-GJL-250+Ni
Motor casing: cast iron EN-GJL-250
Motor cover: cast iron EN-GJL-250
Shaft: stainless steel AISI 420B
Mechanical seal motor side: graphite/ceramic
Mechanical seal pump side: silicon carbide/silicon carbide

Motor

2-4-6 or 8 poles induction, 50Hz
Three-phase version: 400V ± 10%, up to 3,2 kW
400/690V ± 10%, over 3,2 kW
Insulation class: H
Protection degree: IP 68
N° of starting x hour: max 15 with regular intervals
Cable: H07RN-F, length 10 m
Other models: contact our sale office

Coverage chart



Technical data

TYPE	P ₂ kW	I _N A	Power Supply	r.p.m.	Starting	DN mm	Free passage Ø mm	Thermal protector	Humidity probe	ATEX Eex
GMN 30-65B	3,2	6,5	3~ 400V	2850	D.O.L.	65	30	NO	NO	✓
GMN 30-65A	3,2	6,5	3~ 400V	2850	D.O.L.	65	30	NO	NO	✓
GMN 30-80B	5,7	12,5	3~ 400/690V	2850	Y/Δ	80	30	●	●	✓
GMN 30-80A	5,7	12,5	3~ 400/690V	2850	Y/Δ	80	30	●	●	✓
GMN 30-80S	8,2	15,5	3~ 400/690V	2850	Y/Δ	80	30	●	●	
GMN 40-100D	13,8	29,5	3~ 400/690V	2850	Y/Δ	100	40	●	●	✓
GMN 40-100C	13,8	29,5	3~ 400/690V	2850	Y/Δ	100	40	●	●	✓
GMN 40-100B	18,2	34	3~ 400/690V	2850	Y/Δ	100	40	●	●	✓
GMN 40-100S	22,4	40,1	3~ 400/690V	2850	Y/Δ	100	40	●	●	
GMN4 80-100D	4,6	9,5	3~ 400/690V	1450	Y/Δ	100	80	●	●	✓
GMN4 80-100C	7,1	13,5	3~ 400/690V	1450	Y/Δ	100	80	●	●	✓
GMN4 80-100A	11,6	23,2	3~ 400/690V	1450	Y/Δ	100	80	●	●	✓
GMN6 80-100B	2,3	6	3~ 400V	950	D.O.L.	100	80	NO	NO	✓
GMN6 80-100A	2,8	6,6	3~ 400V	950	D.O.L.	100	80	NO	NO	✓
GMN6 80-150B	5,2	12,5	3~ 400/690V	950	Y/Δ	150	80	●	●	✓
GMN6 80-150A	6,4	16	3~ 400/690V	950	Y/Δ	150	80	●	●	✓
GMN6 100-150B/A	16	34,2	3~ 400/690V	950	Y/Δ	150	100	●	●	
GMN6 100-150A/A	16	34,2	3~ 400/690V	950	Y/Δ	150	100	●	●	
GMN4 80-150C/A	27	52,2	3~ 400/690V	1450	Y/Δ	150	80	●	●	
GMN4 80-150B/A	35,7	65,5	3~ 400/690V	1450	Y/Δ	150	80	●	●	
GMN4 100-150G	20,7	41,5	3~ 400/690V	1450	Y/Δ	150	100	●	●	
GMN4 100-150F	25,4	48,5	3~ 400/690V	1450	Y/Δ	150	100	●	●	
GMN4 100-150E/A	26,1	51	3~ 400/690V	1450	Y/Δ	150	100	●	●	
GMN4 100-150D/A	35,7	65,5	3~ 400/690V	1450	Y/Δ	150	100	●	●	
GMN4 100-150S/A	35,7	65,5	3~ 400/690V	1450	Y/Δ	150	100	●	●	
GMN4 100-200C	46	83,5	3~ 400/690V	1450	Y/Δ	200	100	●	●	
GMN4 100-200B	52,1	92,5	3~ 400/690V	1450	Y/Δ	200	100	●	●	
GMN4 100-200A	52,1	92,5	3~ 400/690V	1450	Y/Δ	200	100	●	●	
GMN4 100-250D	77,2	135	3~ 400/690V	1450	Y/Δ	250	100	●	●	
GMN4 100-250C	77,2	135	3~ 400/690V	1450	Y/Δ	250	100	●	●	
GMN4 100-250B	79,5	135	3~ 400/690V	1450	Y/Δ	250	100	●	●	
GMN4 100-250A	79,5	135	3~ 400/690V	1450	Y/Δ	250	100	●	●	
GMN6 100-200F/A	16	34,2	3~ 400/690V	950	Y/Δ	200	100	●	●	
GMN6 100-200E/A	16	34,2	3~ 400/690V	950	Y/Δ	200	100	●	●	
GMN6 100-200D/A	16	34,2	3~ 400/690V	950	Y/Δ	200	100	●	●	
GMN6 100-250D	23,4	45,5	3~ 400/690V	950	Y/Δ	250	100	●	●	
GMN6 100-250C	29	57	3~ 400/690V	950	Y/Δ	250	100	●	●	
GMN6 100-250B	40	80	3~ 400/690V	950	Y/Δ	250	100	●	●	
GMN6 100-250A	40	80	3~ 400/690V	950	Y/Δ	250	100	●	●	
GMN6 140-300D	32	60,5	3~ 400/690V	950	Y/Δ	300	140	●	●	
GMN6 140-300C	40	80	3~ 400/690V	950	Y/Δ	300	140	●	●	
GMN6 140-300B	55,8	108	3~ 400/690V	950	Y/Δ	300	140	●	●	
GMN6 140-300A	55,8	108	3~ 400/690V	950	Y/Δ	300	140	●	●	
GMN8 100-200B/B	9,6	20	3~ 400/690V	750	Y/Δ	200	100	●	●	
GMN8 100-200A	9,6	20	3~ 400/690V	750	Y/Δ	200	100	●	●	
GMN8 100-250B/A	13,7	29,5	3~ 400/690V	750	Y/Δ	250	100	●	●	
GMN8 100-250A/B	21,8	47,5	3~ 400/690V	750	Y/Δ	250	100	●	●	
GMN8 140-300A	26,7	59	3~ 400/690V	750	Y/Δ	300	140	●	●	

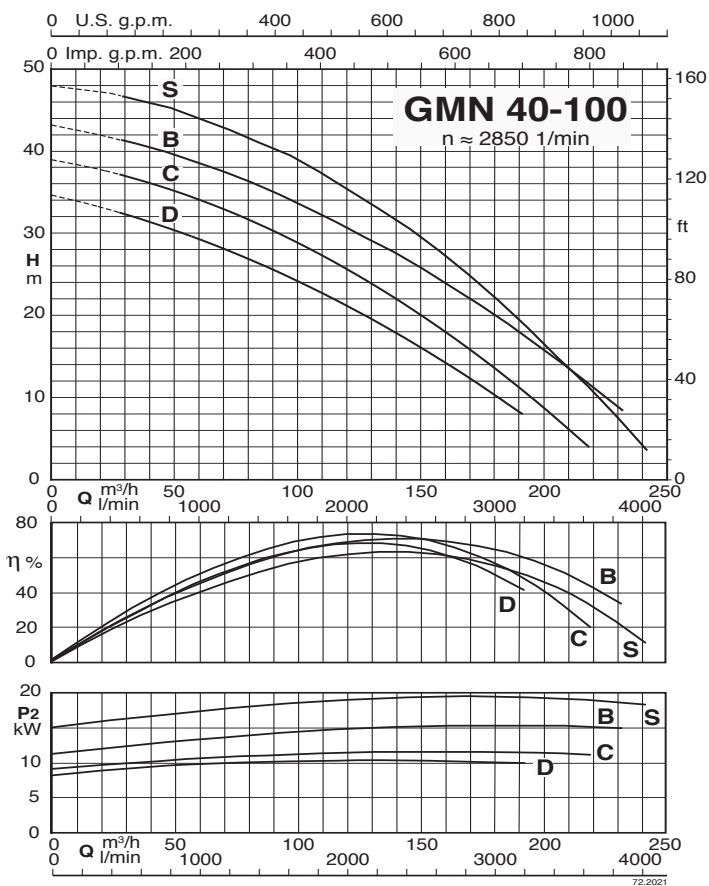
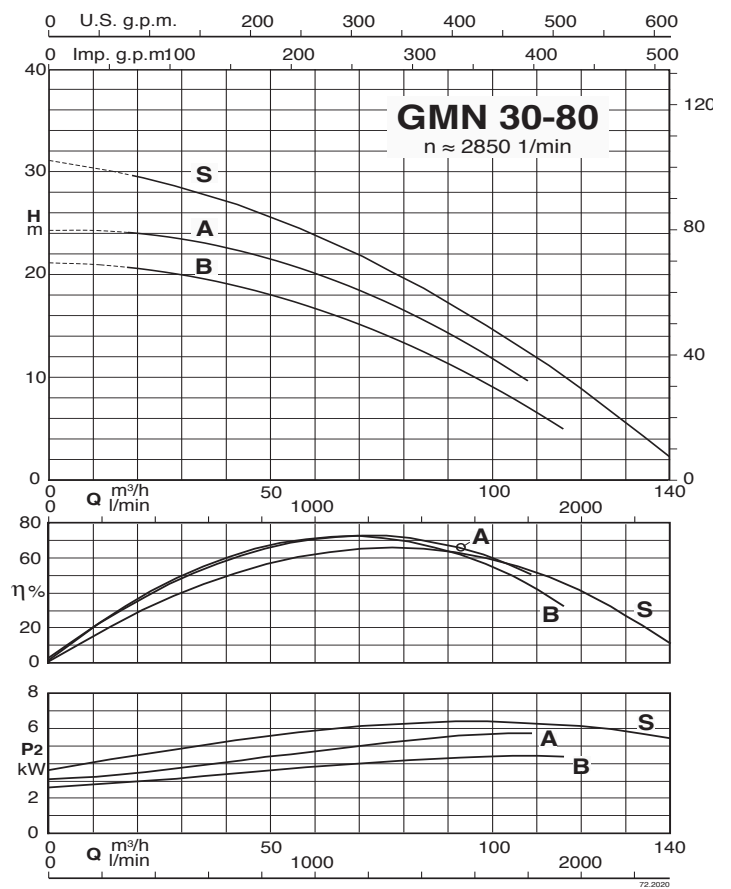
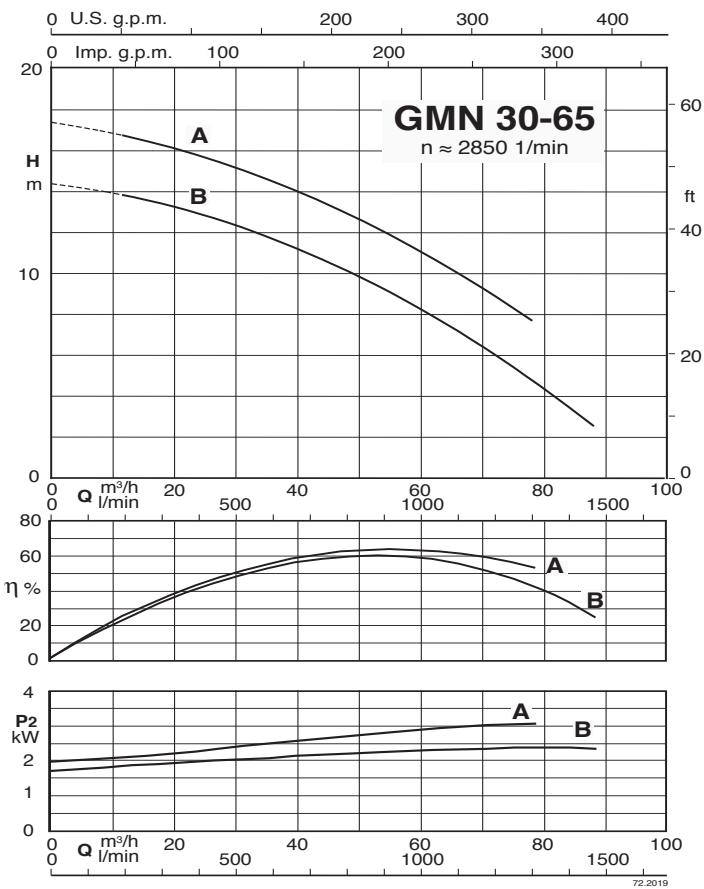
 P₂ Rated power output

 I_N Rated current

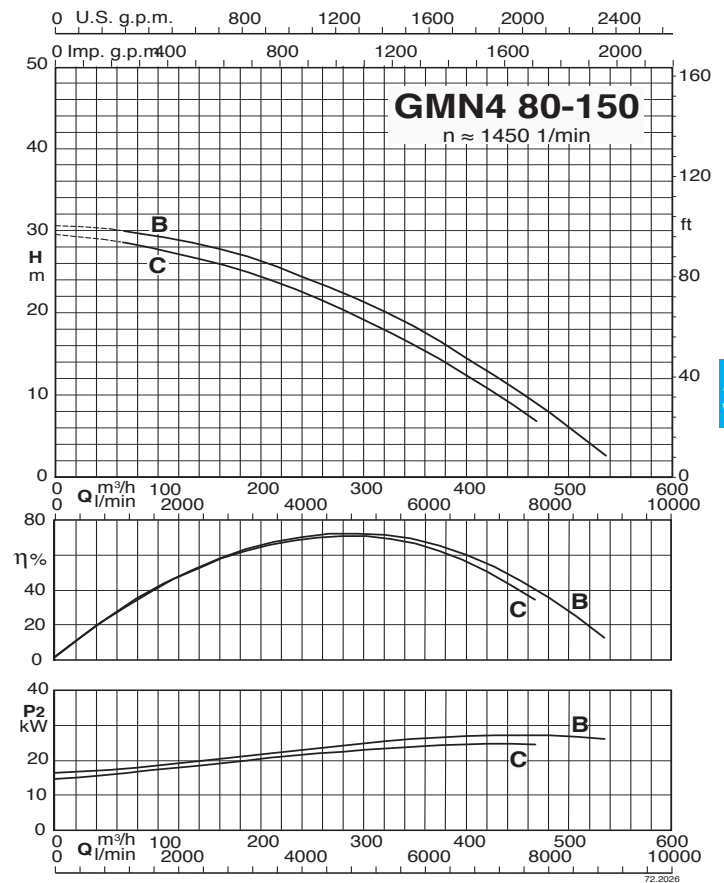
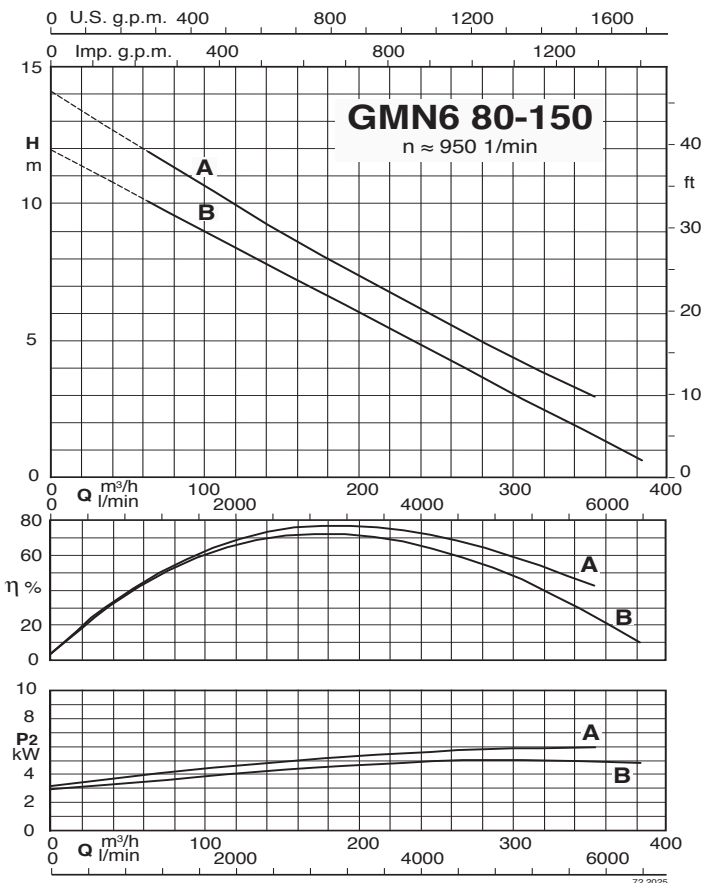
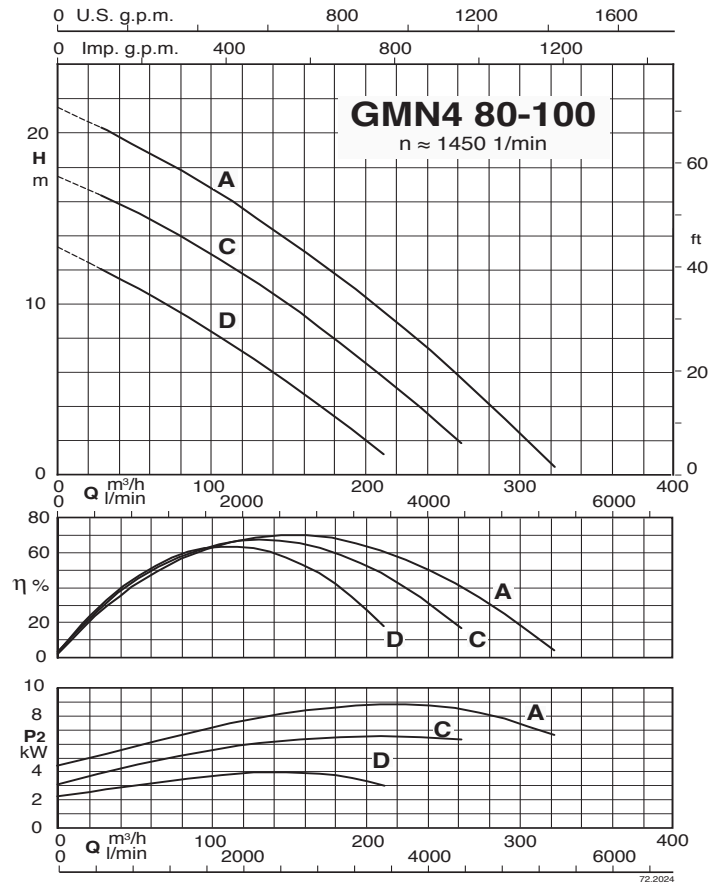
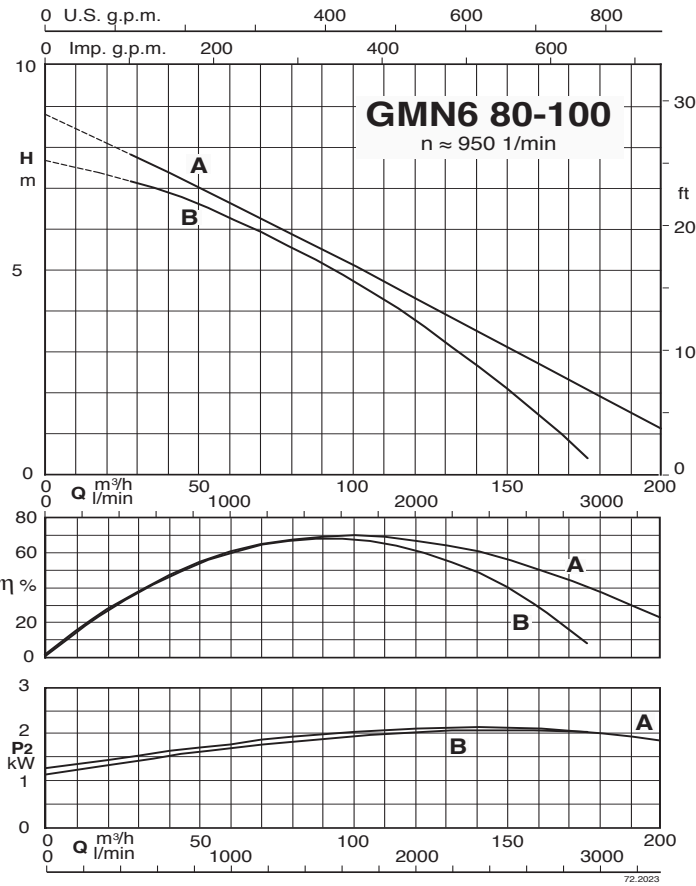
● Standard

✓ ATEX Eex Version on demand

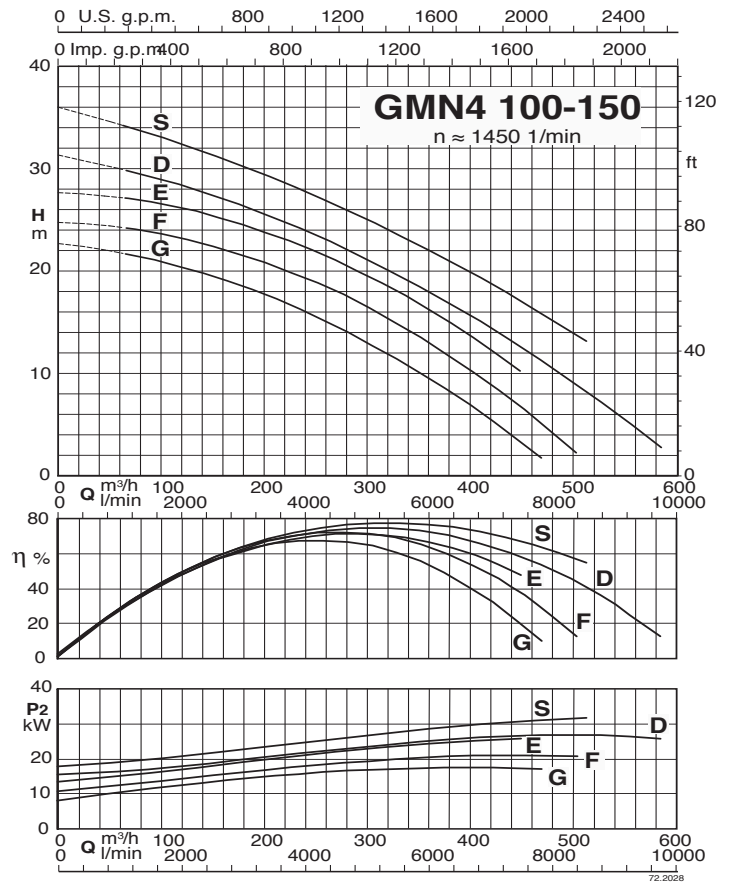
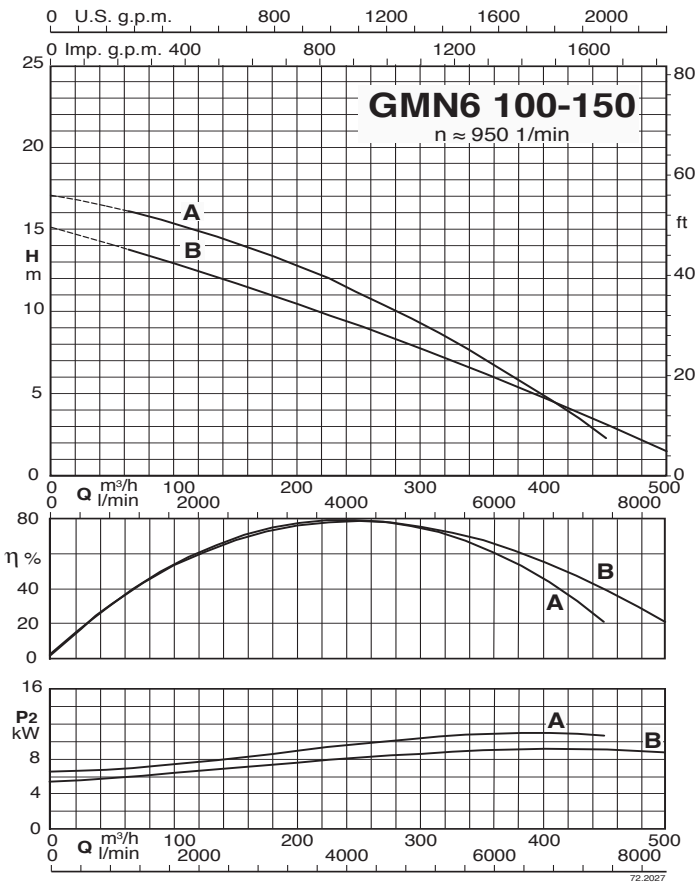
Characteristic curves



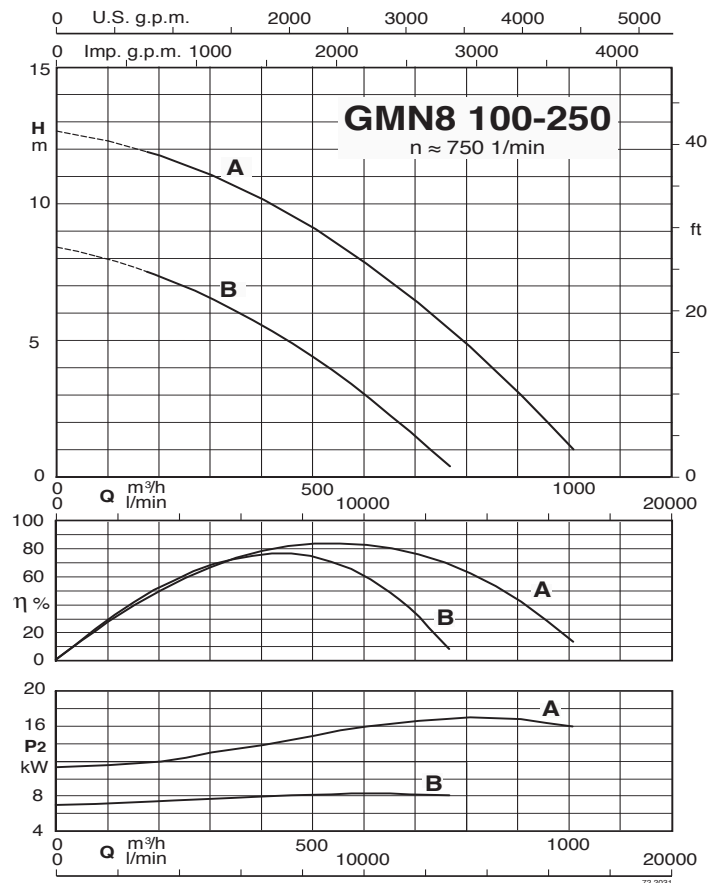
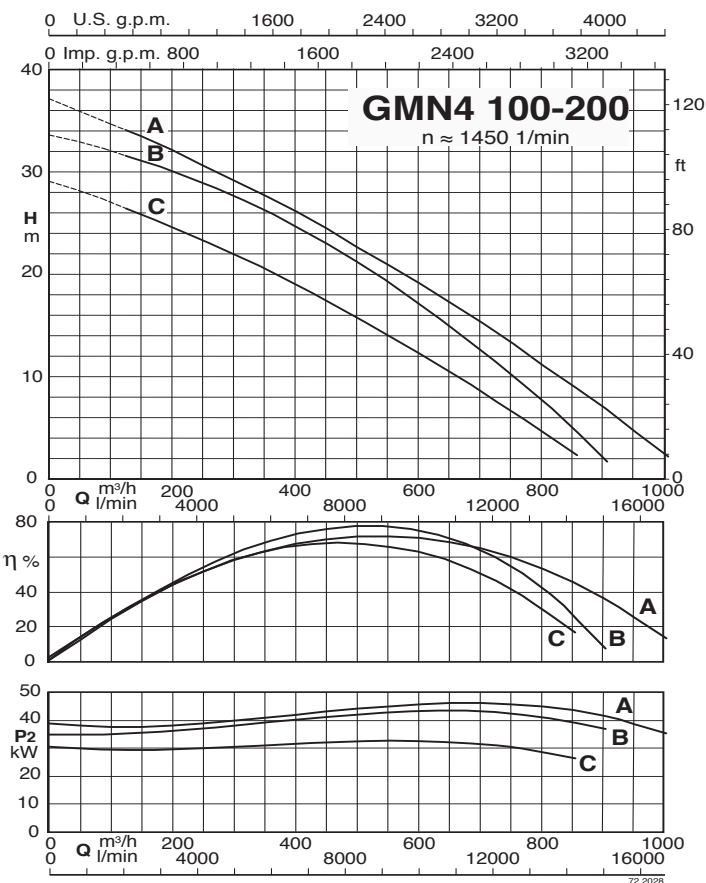
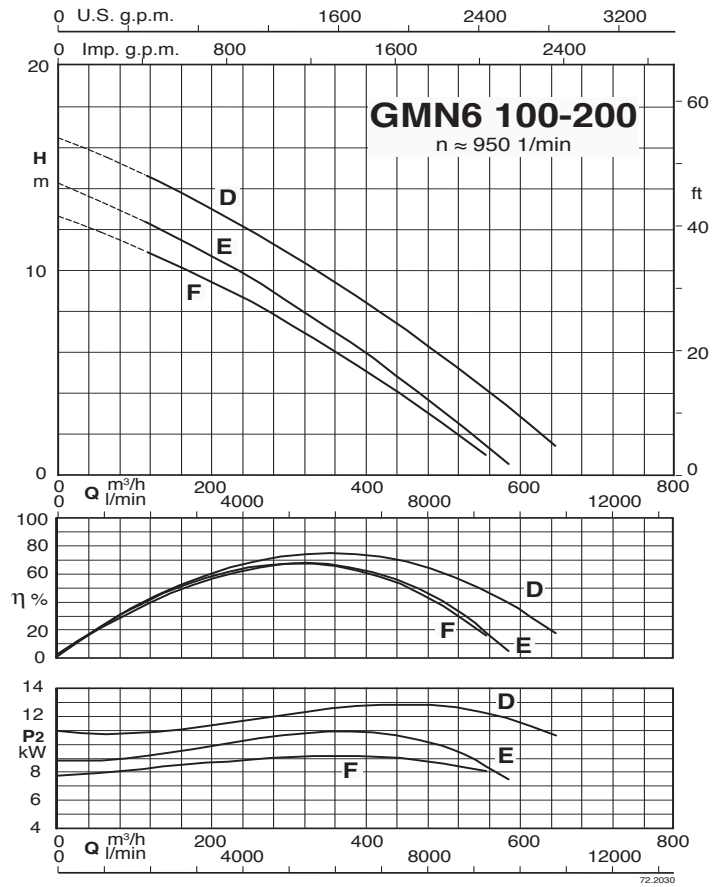
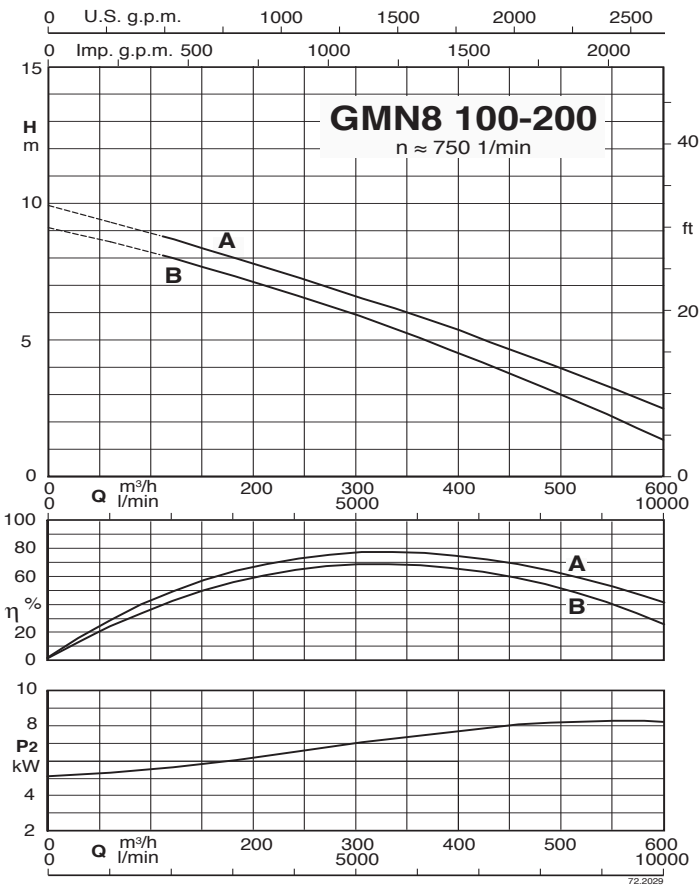
Characteristic curves



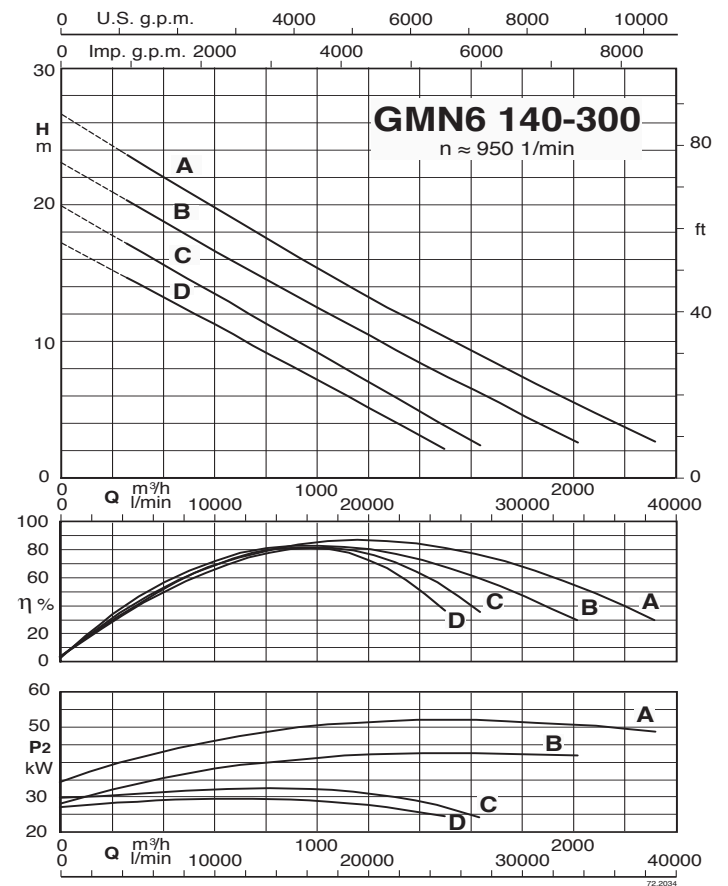
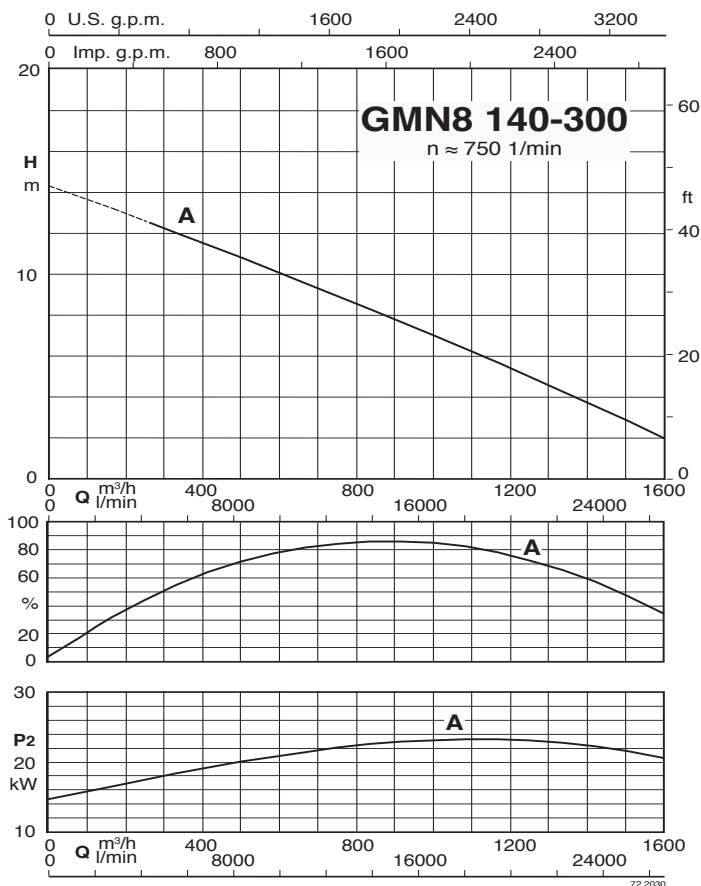
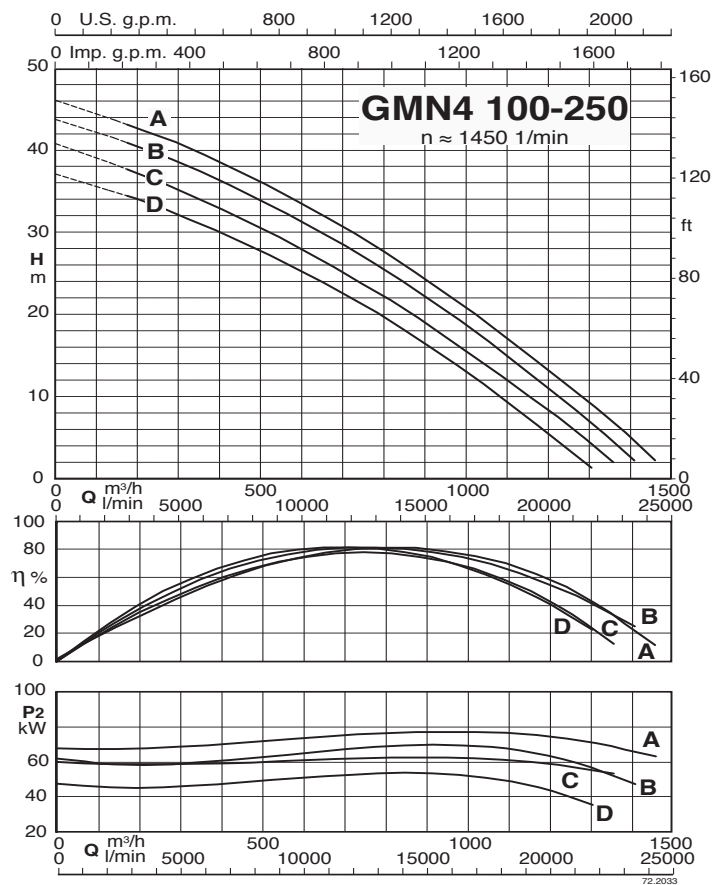
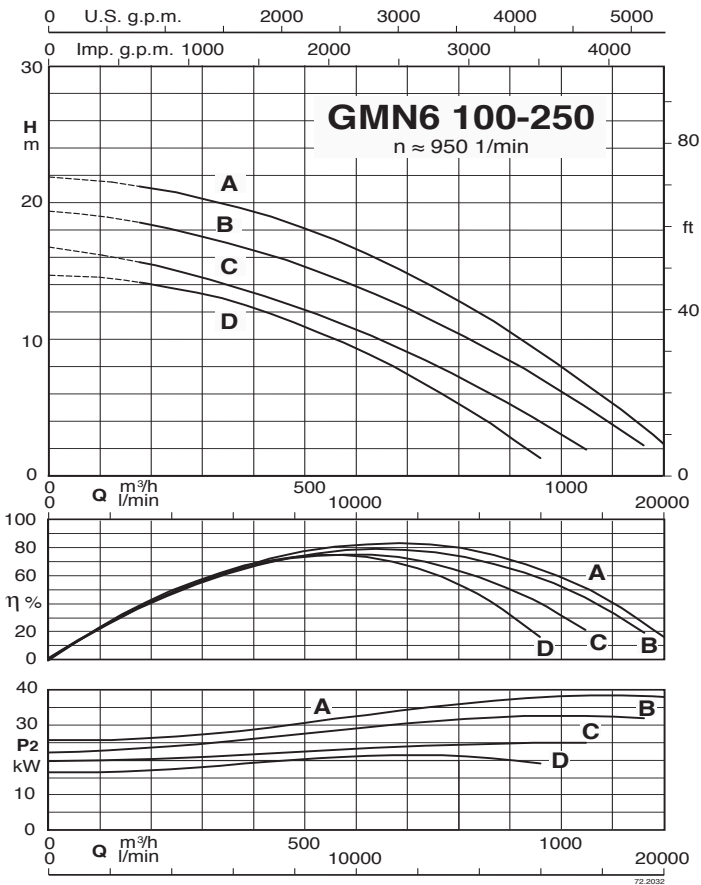
Characteristic curves



Characteristic curves

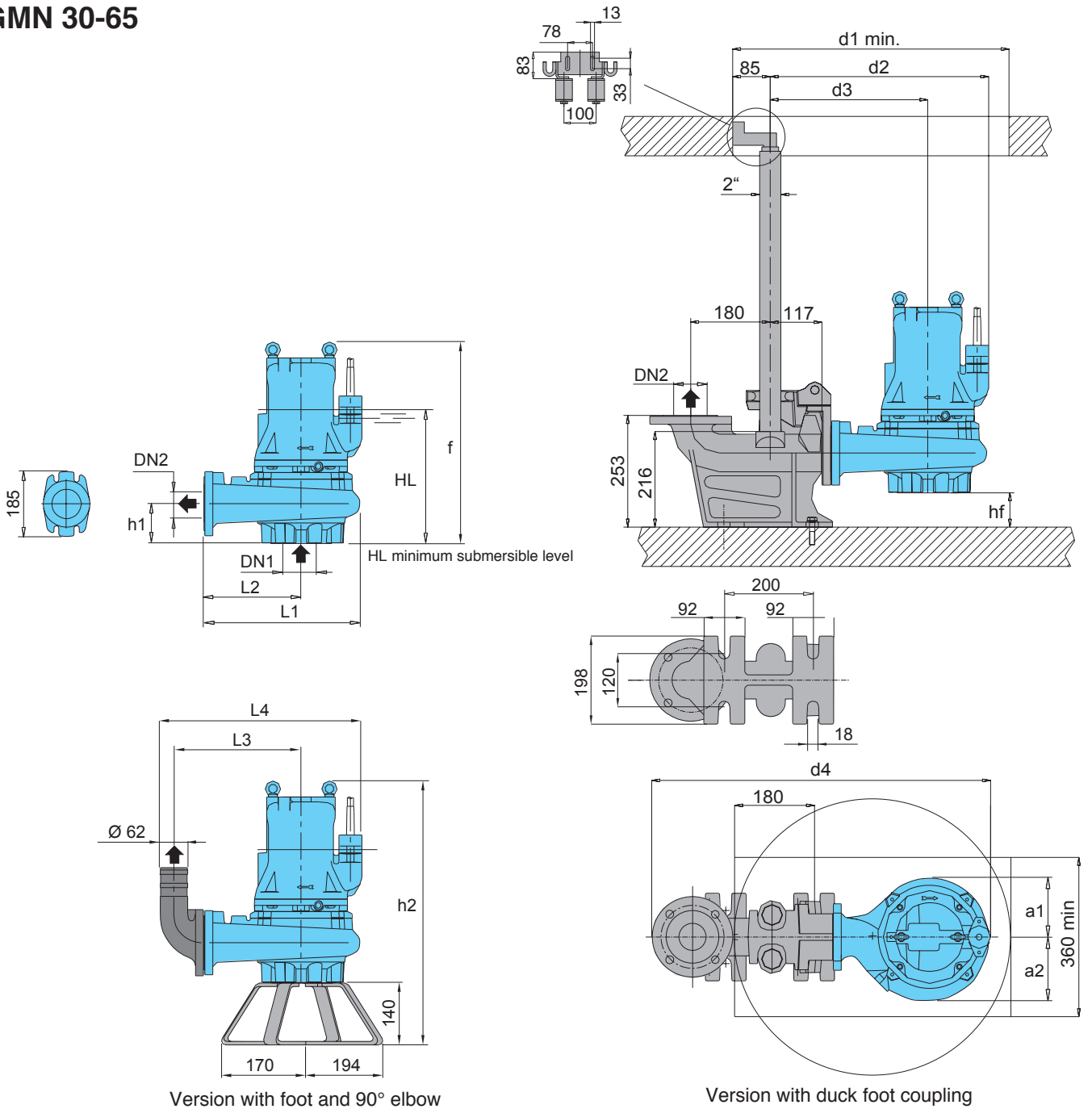


Characteristic curves



Dimensions and weights

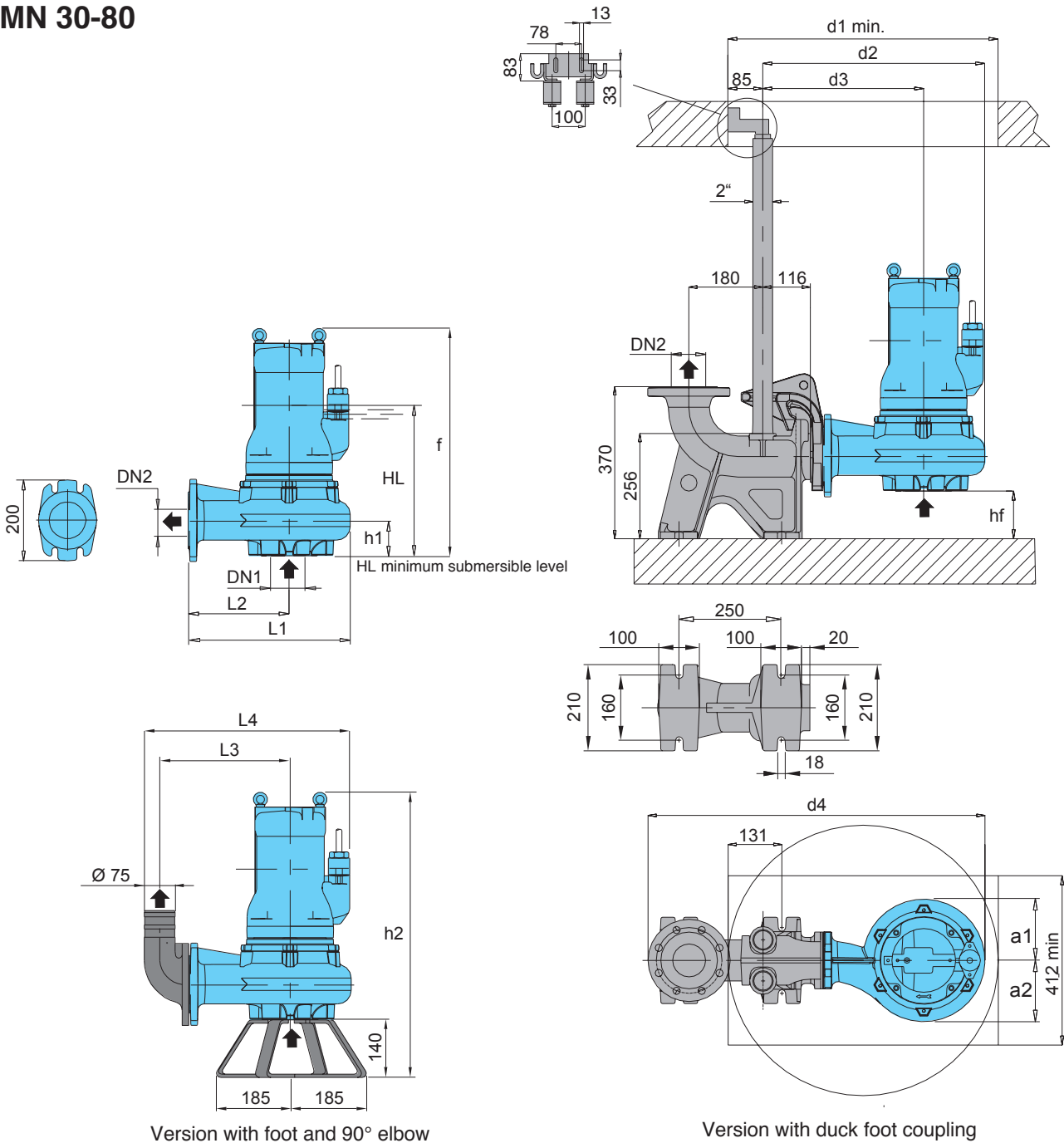
GMN 30-65



TYPE	EN 1092-2 PN 10		Dimensions mm																Weight kg
	DN1	DN2	f	HL	hf	h1	h2	a1	a2	d1	d2	d3	d4	L1	L2	L3	L4		
GMN 30-65B	80	65	456	300	78	90	596	133	145	625	495	357	767	358	220	289	458	61	
GMN 30-65A																			

Dimensions and weights

GMN 30-80



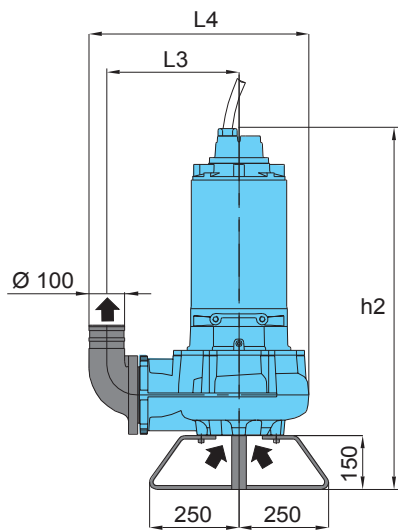
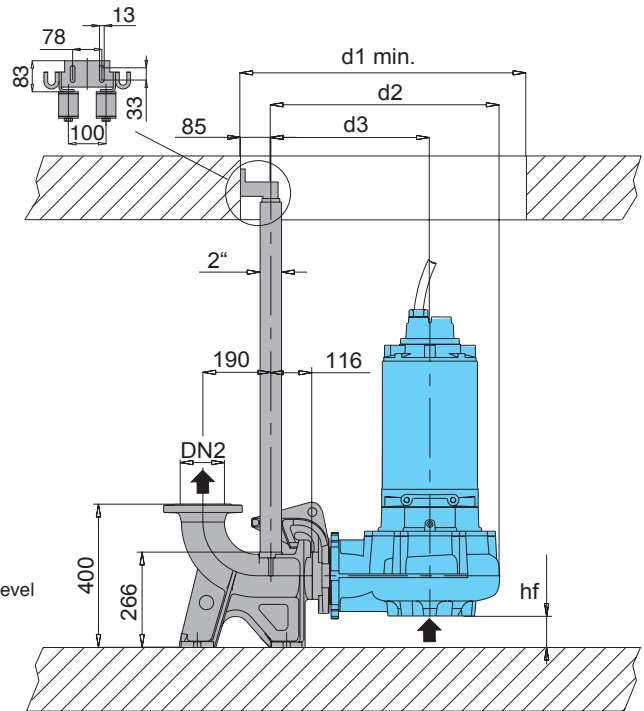
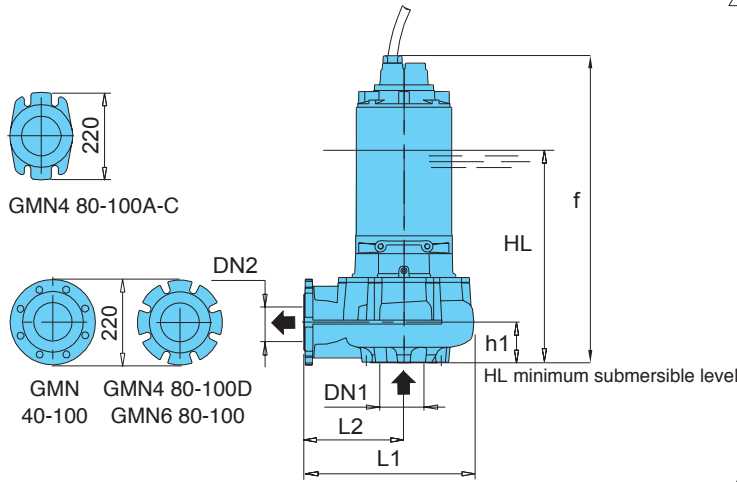
Version with foot and 90° elbow

Version with duck foot coupling

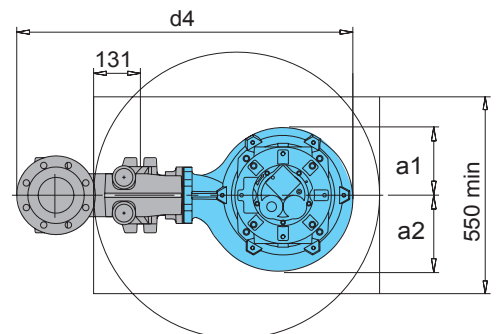
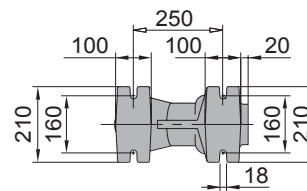
TYPE	EN 1092-2 PN 10		Dimensions mm														Weight kg	
	DN1	DN2	f	HL	hf	h1	h2	a1	a2	d1	d2	d3	d4	L1	L2	L3		L4
GMN 30-80B	80	80	515	330	110	90	655	133	145	700	511	366	791	365	220	293	475	77
GMN 30-80A	80	80	767	438	132	68	917	165	165	700	571	386	851	405	220	292	515	150

Dimensions and weights

GMN 40-100
GMN 50-100
GMN4 80-100
GMN6 80-100



Version with foot and 90° elbow

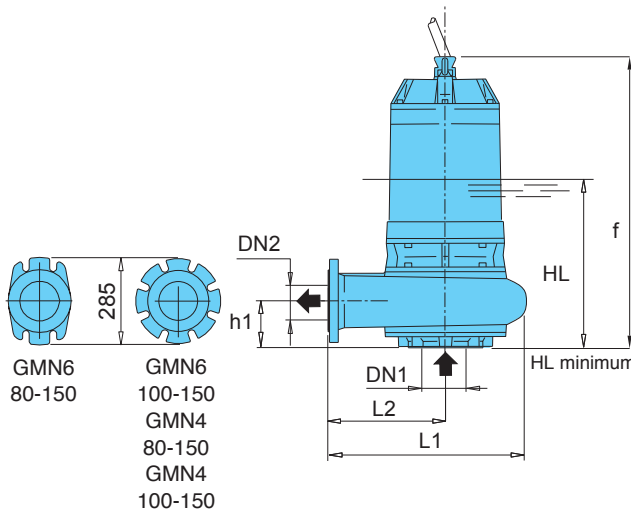


Version with duck foot coupling

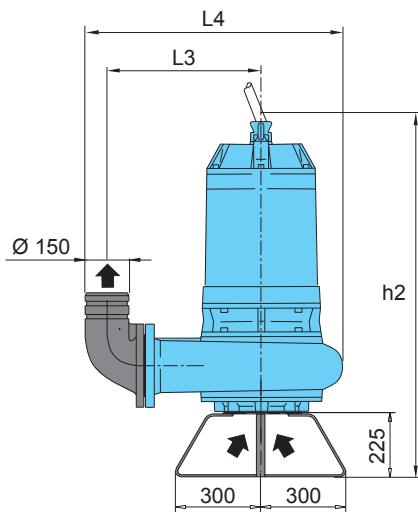
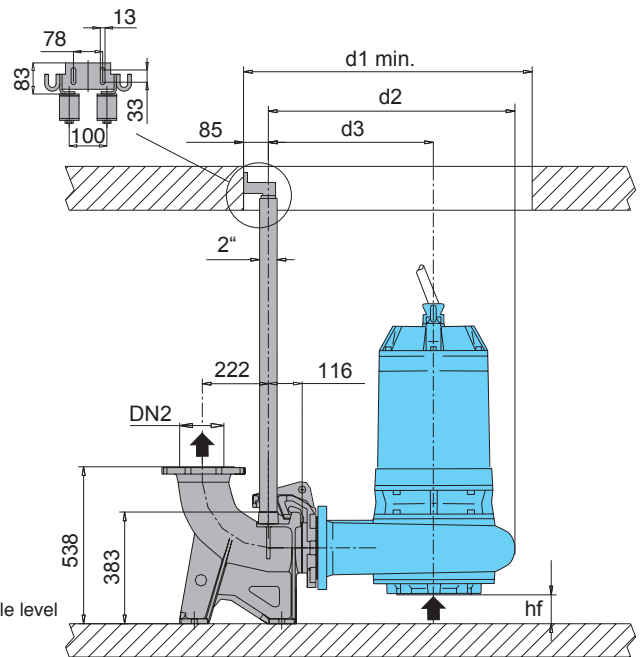
TYPE	EN 1092-2 PN 10		Dimensions mm														Weight kg		
	DN1	DN2	f	HL	hf	h1	h2	a1	a2	d1	d2	d3	d4	L1	L2	L3		L4	
GMN 40-100D	125	100	794	480	127	73	944	168	184	750	628	441	928	462	275	365	602	200	
GMN 40-100C																			
GMN 40-100B																			
GMN 40-100S	125	100	1269	570	127	73	1419	193	193	800	628	441	928	462	280	365	602	340	
GMN4 80-100D	125	100	597	424	62	138	747	180	231	850	673	466	973	507	300	390	647	110	
GMN4 80-100C	125	100	852	526	54	147	1002	189	212	800	640	445	940	474	279	369	614	160	
GMN4 80-100A	125	100	920	570	54	147	1040	189	212	800	640	445	940	474	279	369	614	200	
GMN6 80-100B	125	100	531	372	62	138	681	180	231	850	673	466	973	507	300	390	647	86	
GMN6 80-100A			597	424			747											111	

Dimensions and weights

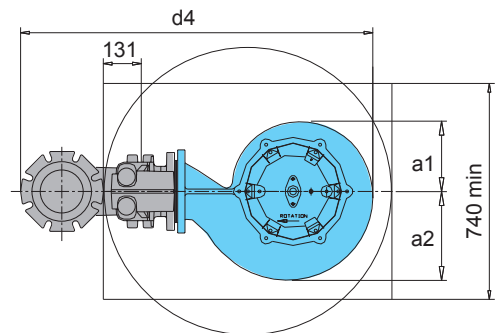
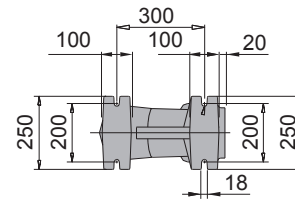
GMN6 80-150
 GMN6 100-150
 GMN4 80-150
 GMN4 100-150



GMN6 80-150
 GMN6 100-150
 GMN4 80-150
 GMN4 100-150



Version with foot and 90° elbow

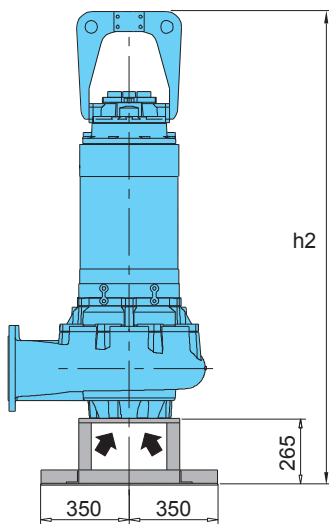
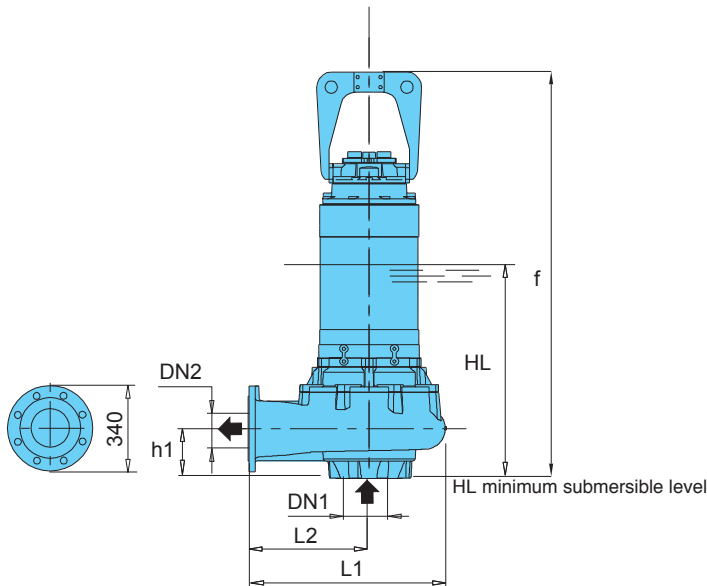


Version with duck foot coupling

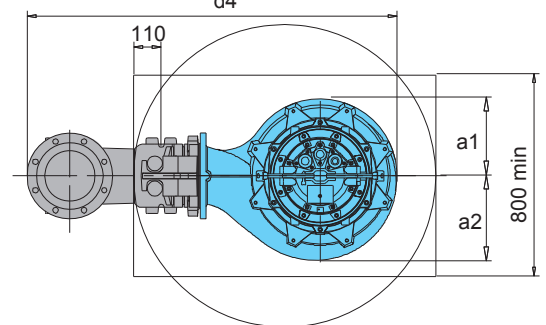
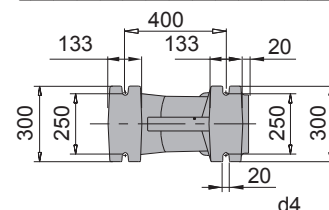
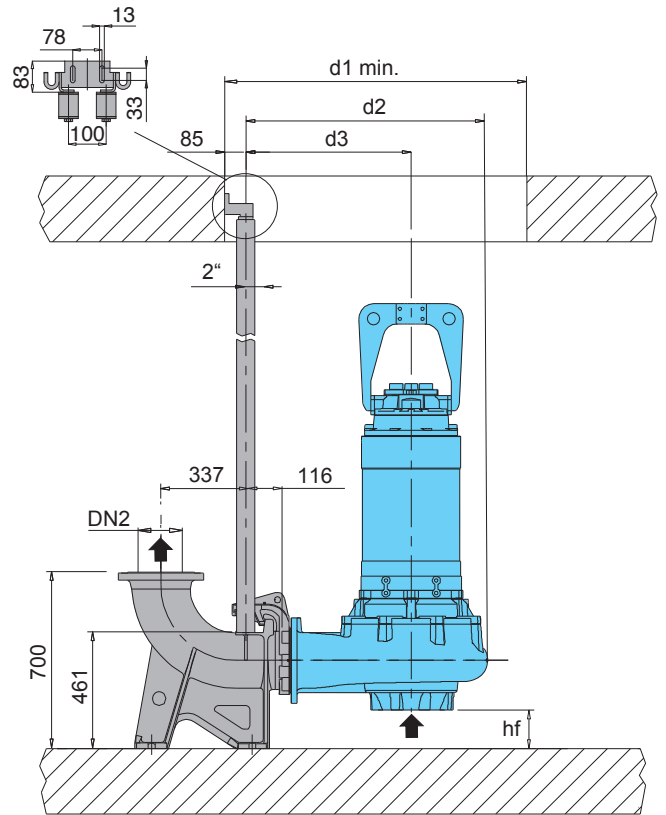
TYPE	EN 1092-2 PN 10		Dimensions mm														Weight kg	
	DN1	DN2	f	HL	hf	h1	h2	a1	a2	d1	d2	d3	d4	L1	L2	L3		L4
GMN6 80-150B	150	150	820	540	113	147	1042	191	223	850	673	467	1038	507	301	431	712	186
GMN6 80-150A			933	580														
GMN6 100-150B/A	150	150	1409	737	80	180	1630	239	304	990	840	566	1208	673	400	530	878	450
GMN6 100-150A/A																		
GMN4 80-150C/A	150	150	1409	737	80	180	1630	239	304	990	840	566	1208	673	400	530	878	450
GMN4 80-150B/A																		
GMN4 100-150G	150	150	1409	737	80	180	1630	239	304	990	840	566	1208	673	400	530	878	450
GMN4 100-150F																		
GMN4 100-150E/A																		
GMN4 100-150D/A																		
GMN4 100-150S/A	150	150	1439	742	80	180	1660	239	304	990	840	566	1208	673	400	530	878	515

Dimensions and weights

GMN4 100-200
GMN6 100-200
GMN8 100-200



Version with foot

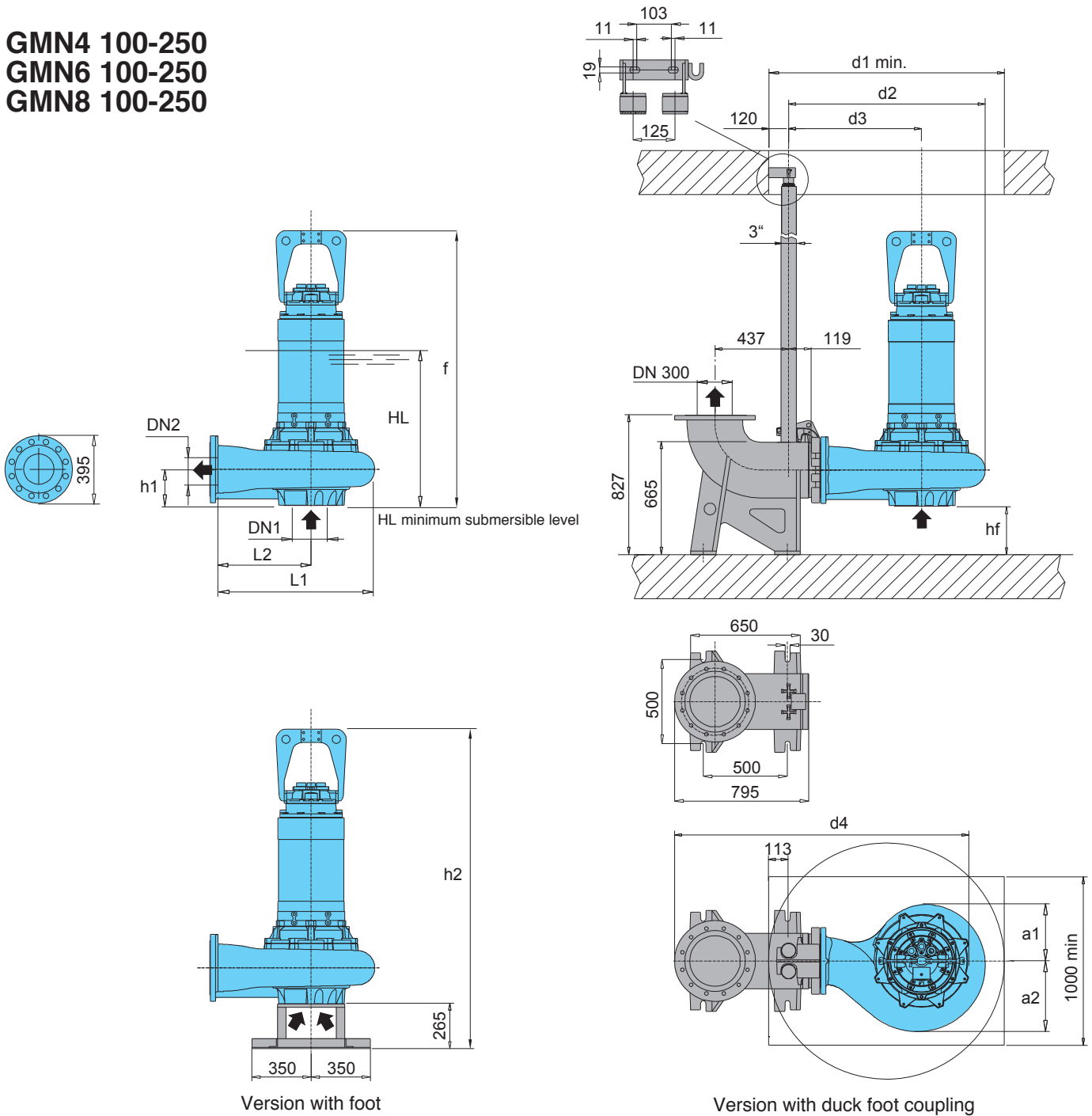


Version with duck foot coupling

TYPE	EN 1092-2 PN 10		Dimensions mm														Weight kg	
	DN1	DN2	f	HL	hf	h1	h2	a1	a2	d1	d2	d3	d4	L1	L2	L3		L4
GMN4 100-200C	200	200	1613	780	153	198	1878	306	335	1200	962	656	1469	786	480	-	-	665
GMN4 100-200B																		
GMN4 100-200A																		
GMN6 100-200F/A	200	200	1392	665	153	180	1655	269	336	1200	958	656	1314	782	480	-	-	460
GMN6 100-200E/A																		
GMN6 100-200D/A																		
GMN8 100-200B/B	200	200	1392	665	153	180	1655	269	335	1200	958	656	1314	782	480	-	-	435
GMN8 100-200A																		

Dimensions and weights

GMN4 100-250
GMN6 100-250
GMN8 100-250



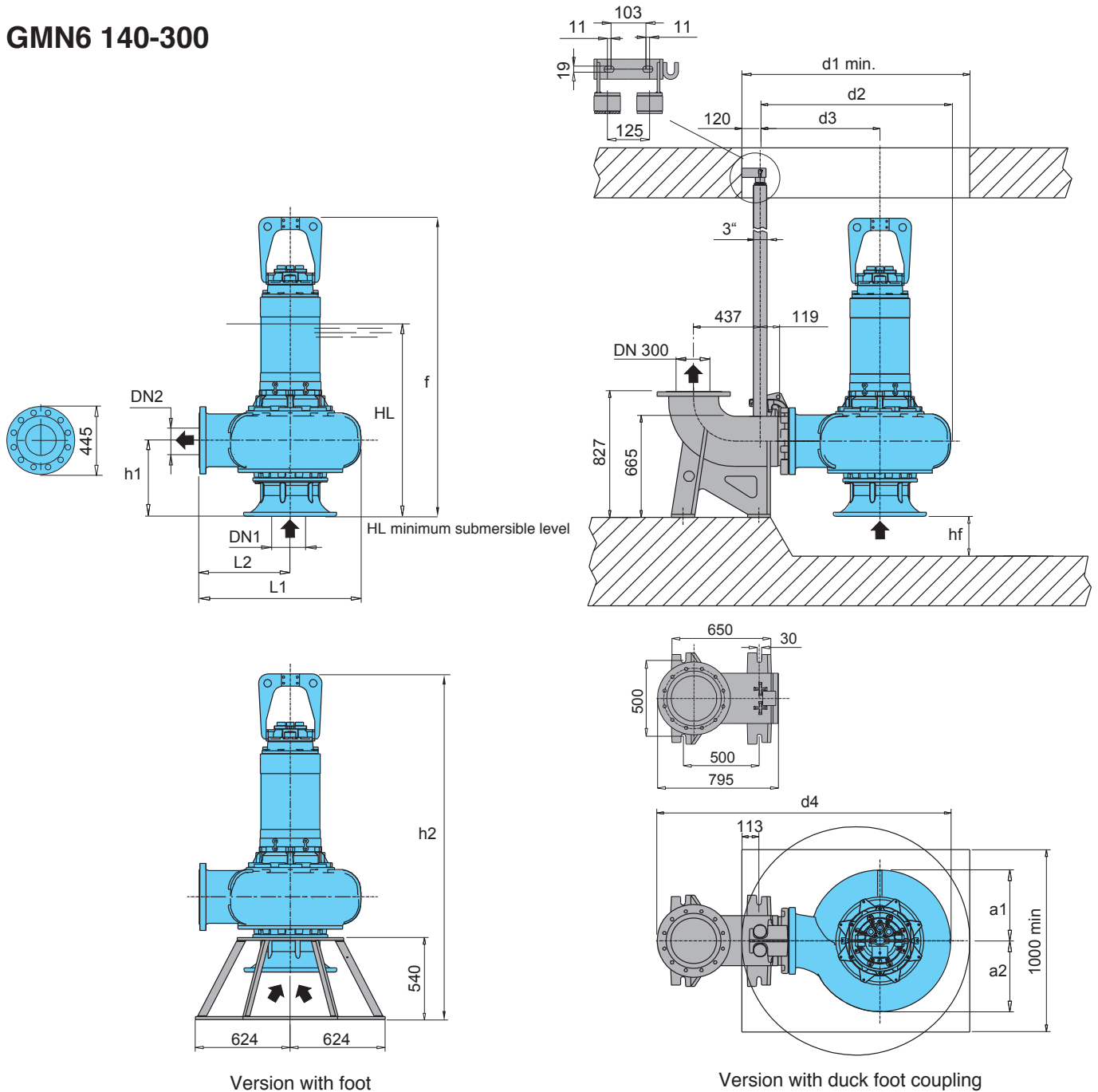
Version with foot

Version with duck foot coupling

TYPE	EN 1092-2 PN 10		Dimensions mm														Weight kg	
	DN1	DN2	f	HL	hf	h1	h2	a1	a2	d1	d2	d3	d4	L1	L2	L3		L4
GMN4 100-250D	250	250	1710	835	286	214	1975	336	419	1400	1167	789	1843	978	600	-	-	914
GMN4 100-250C																		
GMN4 100-250B																		
GMN4 100-250A	250	250	1408	735	250	180	1670	336	419	1400	1203	789	1843	1014	600	-	-	510
GMN6 100-250D																		
GMN6 100-250C																		
GMN6 100-250B	250	250	1629	800	286	214	1894	336	419	1400	1167	789	1843	978	600	-	-	730
GMN6 100-250A																		
GMN8 100-250B/A	250	250	1408	735	250	180	1670	336	419	1400	1203	789	1843	1014	600	-	-	520
GMN8 100-250A/B																		

Dimensions and weights

GMN6 140-300



TYPE	EN 1092-2 PN 10		Dimensions mm														Weight kg	
	DN1	DN2	f	HL	hf	h1	h2	a1	a2	d1	d2	d3	d4	L1	L2	L3		L4
GMN6 140-300D																		
GMN6 140-300C	350	300	1959	1127	260	494	2271	465	465	1500	1254	789	1930	1065	600	-	-	1042
GMN6 140-300B	350	300	2040	1164	260	494	2352	465	465	1500	1254	789	1930	1065	600	-	-	1230
GMN6 140-300A																		
GMN8 140-300A	350	300	1959	1127	260	494	2271	465	465	1500	1254	789	1930	1065	600	-	-	1024



Construction

Submersible pumps with high power grinder.
Twin mechanical seal with oil chamber (lip-seal motor side up to 1,6 kW).
Delivery connection DN 40.

Applications

Suitable for pumping waste water containing long filamentous, Paper and textile materials and organics.
They are particularly suitable for use in domestic, residential and industrial installations
Solid passage from 6 and 7 mm

Operating conditions

Liquid temperature up to 40 °C.
Maximum immersion depth: 20 m (with suitable cable length).
Continuous duty (with pump immersed at minimum level).

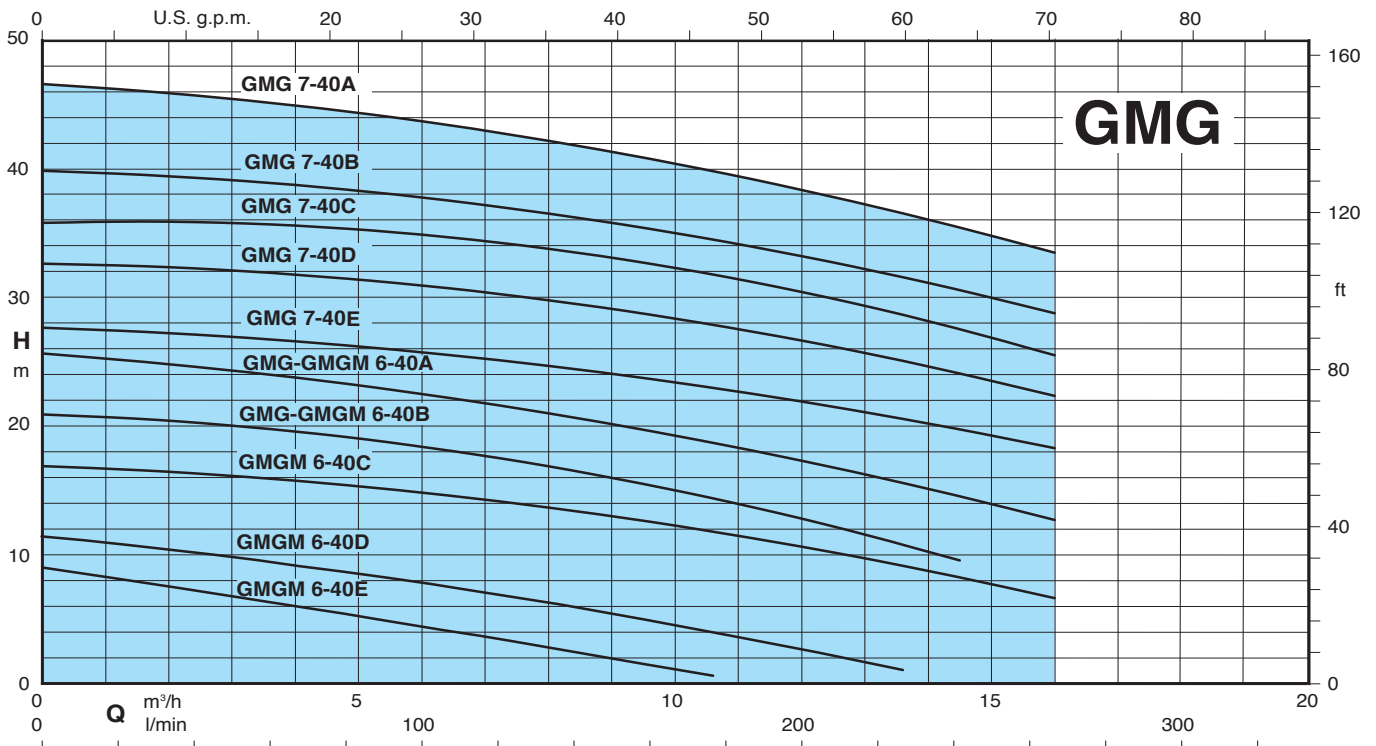
Main materials

- Pump casing: cast iron EN-GJL-250
- Motor casing: cast iron EN-GJL-250
- Motor cover: cast iron EN-GJL-250
- Impeller: cast iron GS 400
- Shaft : stainless steel AISI 420B
- Lip seal made of nitrile up to 1,6 kW
- Mechanical seal motor side: graphite/ceramic over 1,6 kW
- Mechanical seal pump side: silicon carbide/silicon carbide

Motor

- 2 poles induction, 50Hz
- Single-phase version: 230V ± 10%, with float switch and control box with thermal protection and starting capacitors.
- Three-phase version: 400V ± 10%, up to 3,2 kW
400/690V ± 10%, over 3,2 kW
- Insulation class: H
- Protection degree: IP 68
- N° of starting x hour: max 15 with regular intervals
- Cable: H07RN-F, length 10 m
- Other models: contact our sale office

Coverage chart



Technical data

TYPE	P ₂ kW	I _N A	Power Supply	r.p.m.	Starting	DN mm	Free passage Ø mm	Thermal protector	Humidity probe	ATEX Eex
GMGM 6-40E/A	1,1	7,5	1~ 230V	2850	D.O.L.	40	6	●	NO	
GMGM 6-40D/A	1,1	7,5	1~ 230V	2850	D.O.L.	40	6	●	NO	
GMGM 6-40C	1,1	7,5	1~ 230V	2850	D.O.L.	40	6	●	NO	
GMGM 6-40B	1,1	7,5	1~ 230V	2850	D.O.L.	40	6	●	NO	
GMG 6-40B	1,4	3,5	3~ 400V	2850	D.O.L.	40	6	NO	NO	✓
GMGM 6-40A	1,8	10	1~ 230V	2850	D.O.L.	40	6	●	NO	
GMG 6-40A	2,4	5	3~ 400V	2850	D.O.L.	40	6	NO	NO	✓
GMG 7-40E	3,2	6,5	3~ 400V	2850	D.O.L.	40	7	NO	NO	✓
GMG 7-40D	3,2	6,5	3~ 400V	2850	D.O.L.	40	7	NO	NO	✓
GMG 7-40C	4,1	8,5	3~ 400/690V	2850	Y/Δ	40	7	●	●	✓
GMG 7-40B	5	11	3~ 400/690V	2850	Y/Δ	40	7	●	●	✓
GMG 7-40A	5	11	3~ 400/690V	2850	Y/Δ	40	7	●	●	✓

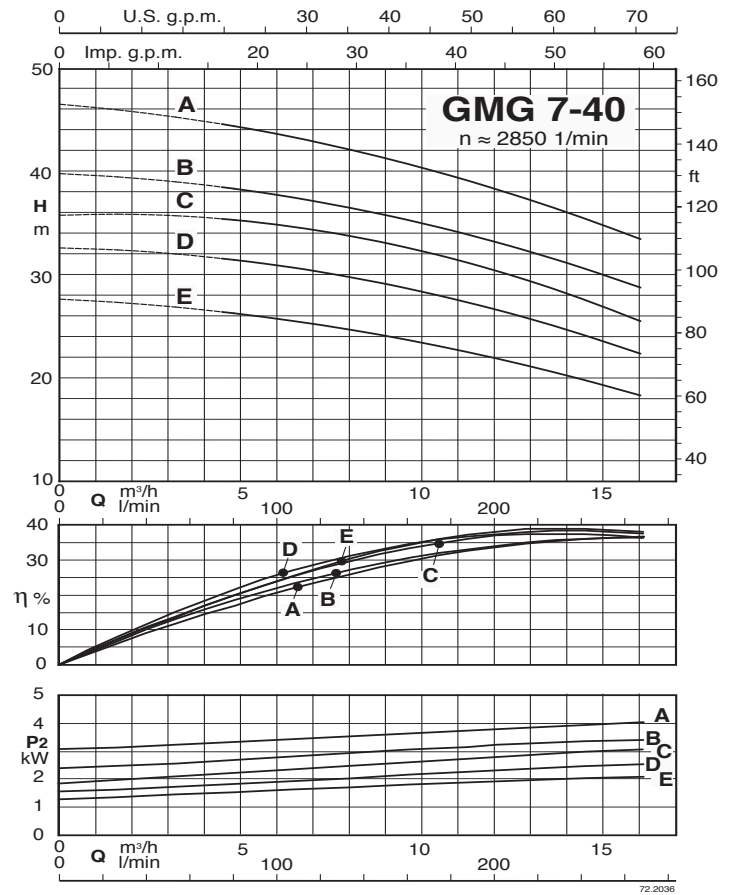
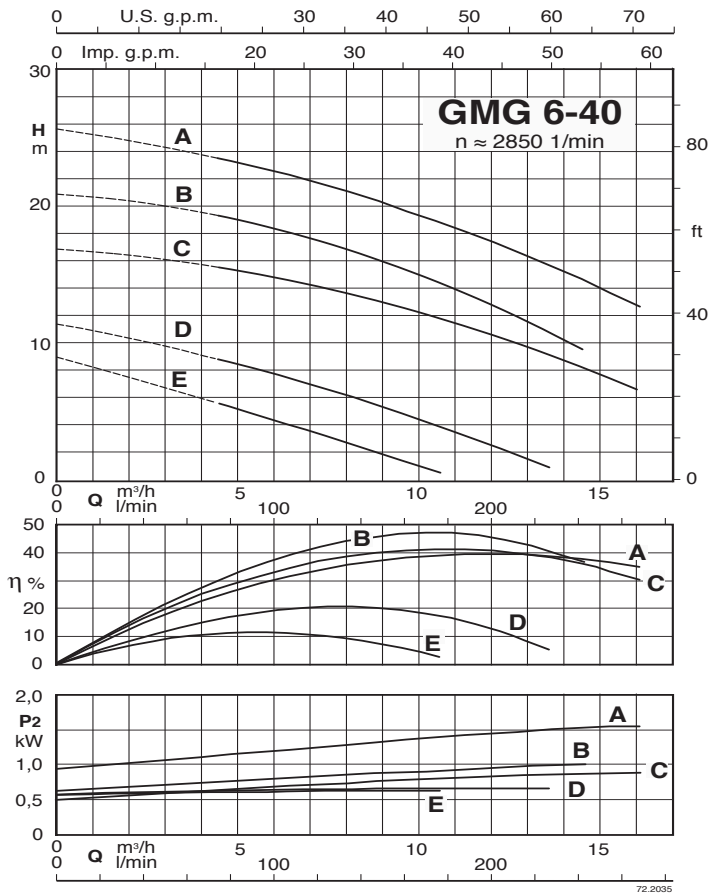
P₂ Rated power output

I_N Rated current

● Standard

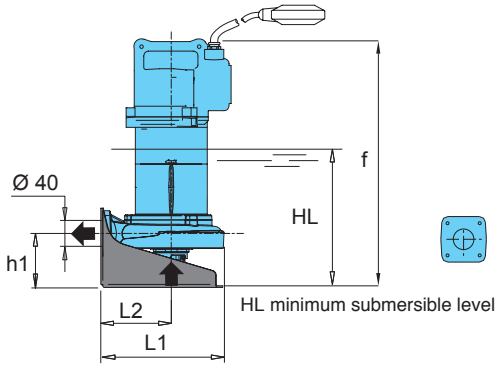
✓ ATEX Eex Version on demand

Characteristic curves

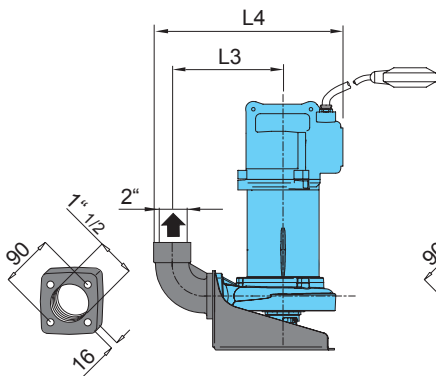
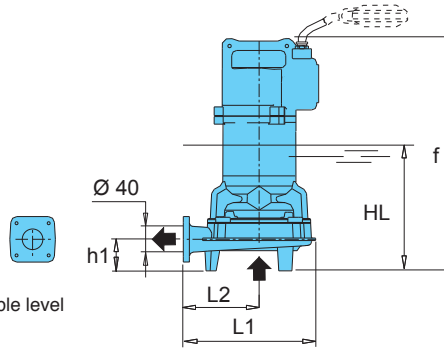


Dimensions and weights

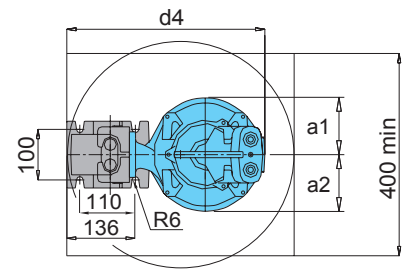
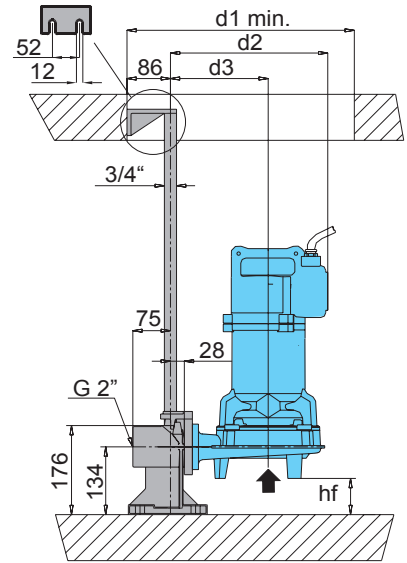
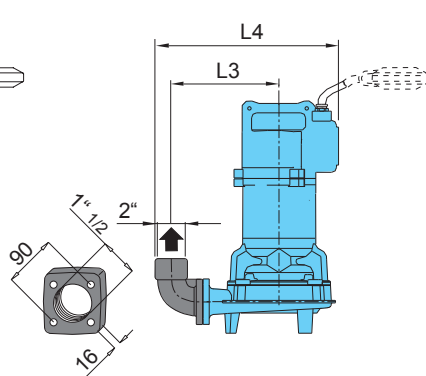
GMGM 6-40D/A, E/A



GMGM 6-40 GMG 6-40 GMG 7-40



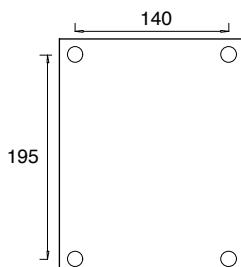
Version with threaded flange and 90° elbow



Version with duck foot coupling

TYPE	Dimensions mm															Weight kg
	Ø1	f	HL	hf	h1	a1	a2	d1	d2	d3	d4	L1	L2	L3	L4	
GMGM 6-40E/A	40	441	283	77	106	104	104	450	297	178	392	256	138	154	272	30
GMGM 6-40D/A																
GMGM 6-40C																
GMGM 6-40B																
GMG 6-40B	40	460	240	71	63	112	112	450	312	194	392	268	150	212	262	40
GMGM 6-40A																
GMG 6-40A																
GMG 7-40E	40	458	315	10	124	121	121	450	327	189	413	288	150	230	405	45
GMG 7-40D																
GMG 7-40C																
GMG 7-40B																
GMG 7-40A	40	517	336	10	124	121	121	450	334	189	420	295	150	230	412	60
GMG 7-40A																

Control box



To fix the control panel, use the proposed holes as specify in this drawing. In order to maintain the protection degree, suitable fixing devices must be used.



Construction

Submersible pumps in **AISI 316** stainless steel.

I-GMV with free-flow (vortex) impeller

I-GMC with single-channel impeller

I-GMN with channels impeller

Twin mechanical seal with oil chamber (lip-seal motor side up to 2,4 kW 2 poles).

Delivery connection DN 50-65-80-100-150

Applications

Suitable to pump aggressive and corrosive liquids, particularly to drain waste water in industrial and chemical process plants. Solid passage from 30 to 100 mm

Operating conditions

Liquid temperature up to 40 °C.

Maximum immersion depth: 20 m (with suitable cable length).

Continuous duty (with pump immersed at minimum level).

Main materials

Pump casing: stainless steel AISI 316

Motor casing: stainless steel AISI 316

Motor cover: stainless steel AISI 316

Impeller: stainless steel AISI 316

Shaft: stainless steel AISI 316L

Screws: stainless steel AISI 316

Mechanical seal motor side: graphite/ceramic/FPM (lip-seal made of nitrile up to 2,4 kW 2 poles).

Mechanical seal pump side: silicon carbide/silicon carbide/FPM

Motor

2 or 4 poles induction, 50Hz

Three-phase version: 400V ± 10%, up to 3,2 kW

400/690V ± 10%, over 3,2 kW

Insulation class: H

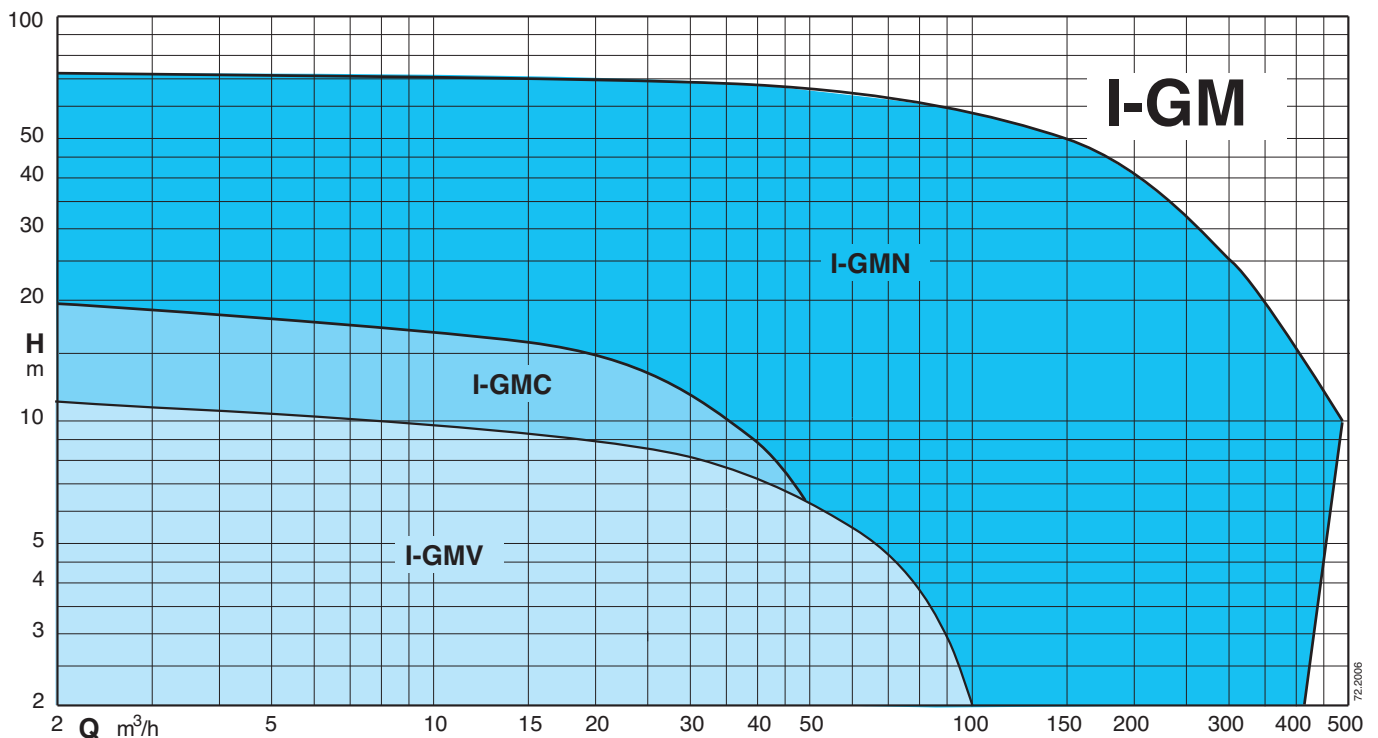
Protection degree: IP 68

N° of starting x hour: max 15 with regular intervals


Cable: H07RN-F, length 10 m

Other models: contact our sale office

Coverage chart



Technical data

TYPE	P ₂ kW	I _N A	Power Supply	r.p.m.	Starting	DN mm	Free passage Ø mm	Thermal protector	Humidity probe	 ATEX Eex
I-GMV 50-50C	1,4	3,5	3~ 400V	2850	D.O.L.	50	50	NO	NO	✓
I-GMV 50-50B/A	1,4	3,5	3~ 400V	2850	D.O.L.	50	50	NO	NO	✓
I-GMV 50-50A/A	2,4	5	3~ 400V	2850	D.O.L.	50	50	NO	NO	✓
I-GMV4 50-65C	1	3	3~ 400V	1450	D.O.L.	65	50	NO	NO	✓
I-GMV4 50-65B	1	3	3~ 400V	1450	D.O.L.	65	50	NO	NO	✓
I-GMV4 50-65A	1,3	3,5	3~ 400V	1450	D.O.L.	65	50	NO	NO	✓
I-GMV4 50-80B	2,3	5	3~ 400V	1450	D.O.L.	80	50	NO	NO	✓
I-GMV4 50-80A	2,8	6,5	3~ 400V	1450	D.O.L.	80	50	NO	NO	✓
I-GMC 40-65B	2,4	5	3~ 400V	2850	D.O.L.	65	40	NO	NO	✓
I-GMC 40-65A	2,9	6	3~ 400V	2850	D.O.L.	65	40	NO	NO	✓
I-GMN 30-65B	3,2	6,5	3~ 400V	2850	D.O.L.	65	30	NO	NO	✓
I-GMN 30-65A	3,2	6,5	3~ 400V	2850	D.O.L.	65	30	NO	NO	✓
I-GMN 30-80B	5,7	12,5	3~ 400/690V	2850	Y/Δ	80	30	●	●	✓
I-GMN 30-80A	5,7	12,5	3~ 400/690V	2850	Y/Δ	80	30	●	●	✓
I-GMN 30-80S	8,2	15,5	3~ 400/690V	2850	Y/Δ	80	30	●	●	✓
I-GMN 40-100D	13,8	29,5	3~ 400/690V	2850	Y/Δ	100	40	●	●	✓
I-GMN 40-100C	13,8	29,5	3~ 400/690V	2850	Y/Δ	100	40	●	●	✓
I-GMN 40-100B	18,2	34	3~ 400/690V	2850	Y/Δ	100	40	●	●	✓
I-GMN 40-100S	22,4	40,1	3~ 400/690V	2850	Y/Δ	100	40	●	●	✓
I-GMN 50-100C	48,2	86,5	3~ 400/690V	2850	Y/Δ	100	50	●	●	✓
I-GMN 50-100B	48,2	86,5	3~ 400/690V	2850	Y/Δ	100	50	●	●	✓
I-GMN 50-100A	48,2	86,5	3~ 400/690V	2850	Y/Δ	100	50	●	●	✓
I-GMN4 60-100B	7,1	13,5	3~ 400/690V	1450	Y/Δ	100	60	●	●	✓
I-GMN4 60-100A	7,1	13,5	3~ 400/690V	1450	Y/Δ	100	60	●	●	✓
I-GMN4 80-100B	11,6	23,2	3~ 400/690V	1450	Y/Δ	100	80	●	●	✓
I-GMN4 80-100A	11,6	23,2	3~ 400/690V	1450	Y/Δ	100	80	●	●	✓
I-GMN4 100-150B	25	48	3~ 400/690V	1450	Y/Δ	150	100	●	●	✓
I-GMN4 100-150A	35,7	65,5	3~ 400/690V	1450	Y/Δ	150	100	●	●	✓

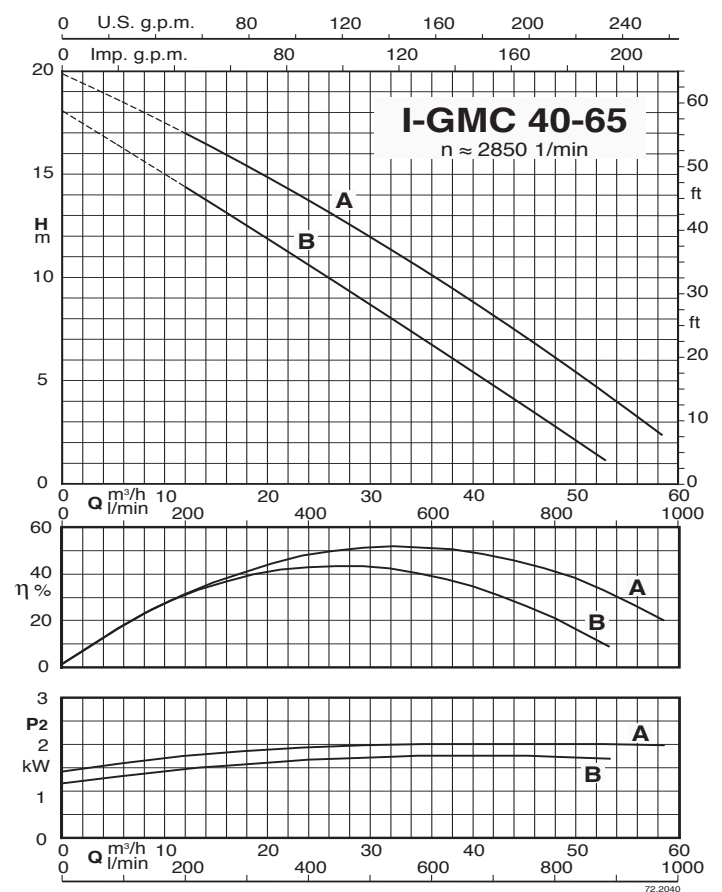
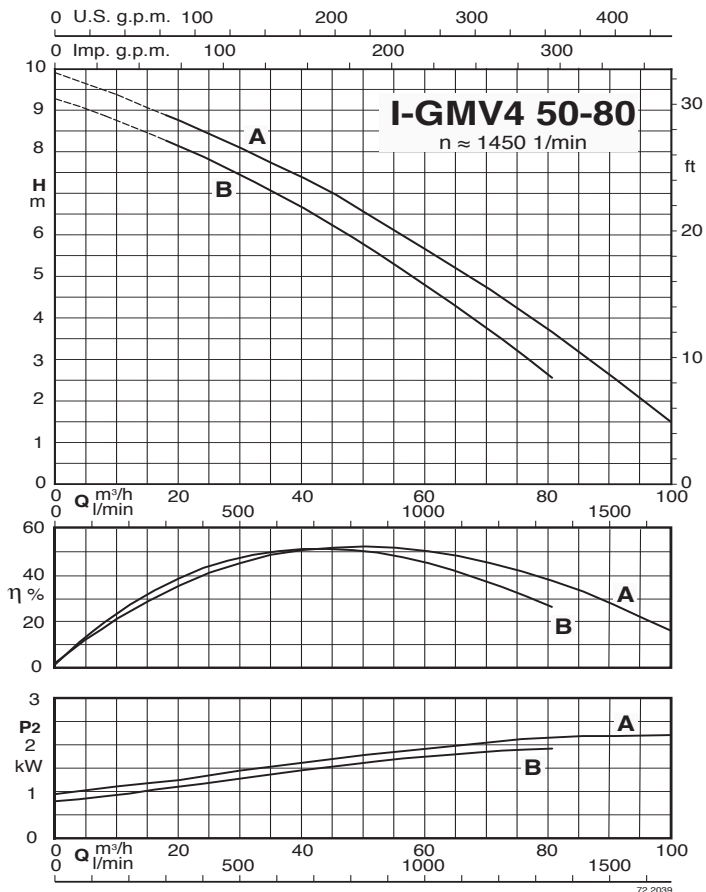
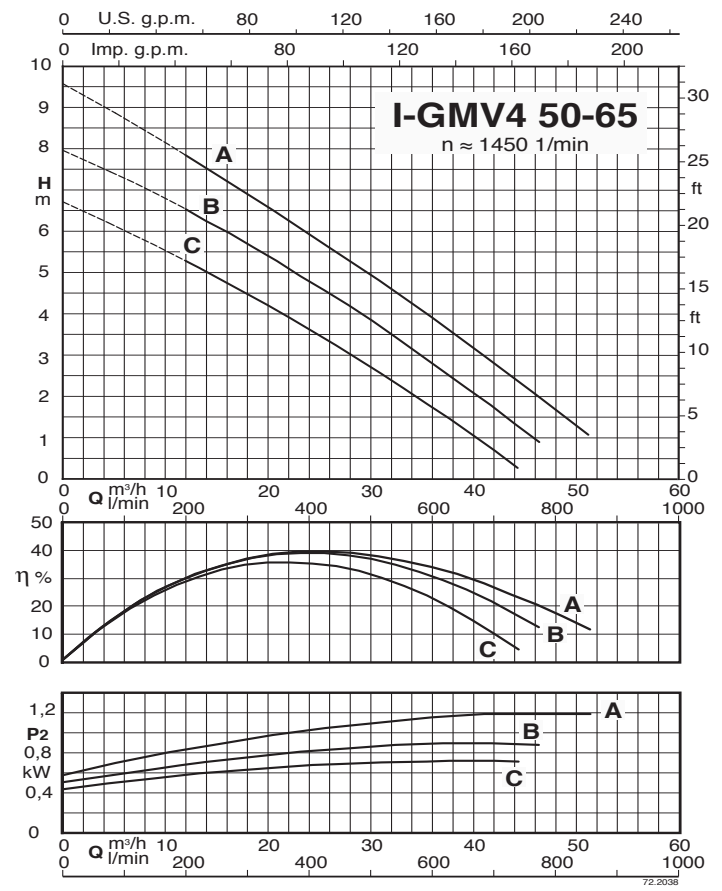
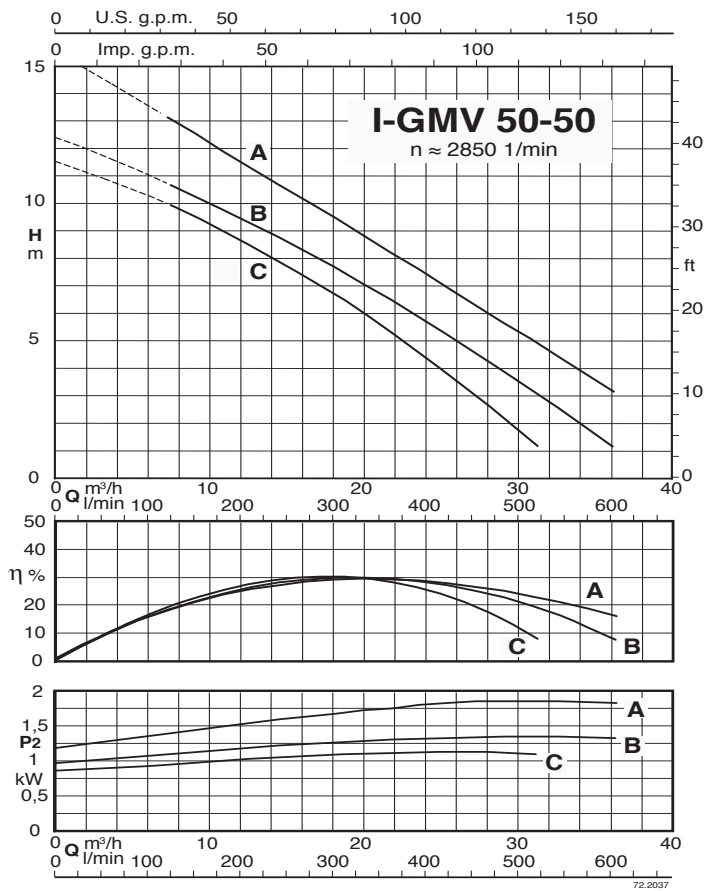
P₂ Rated power output

I_N Rated current

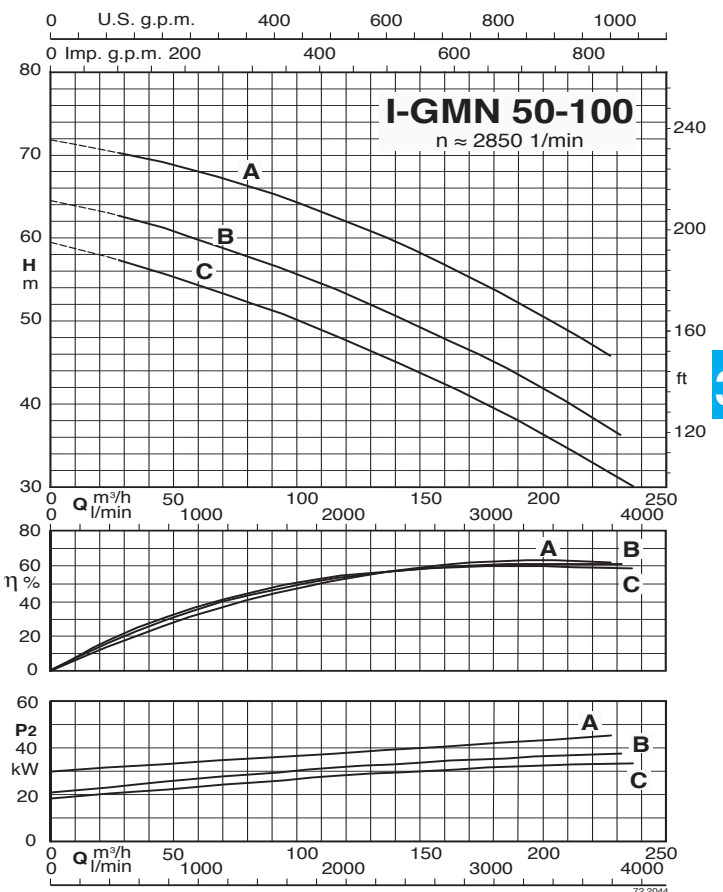
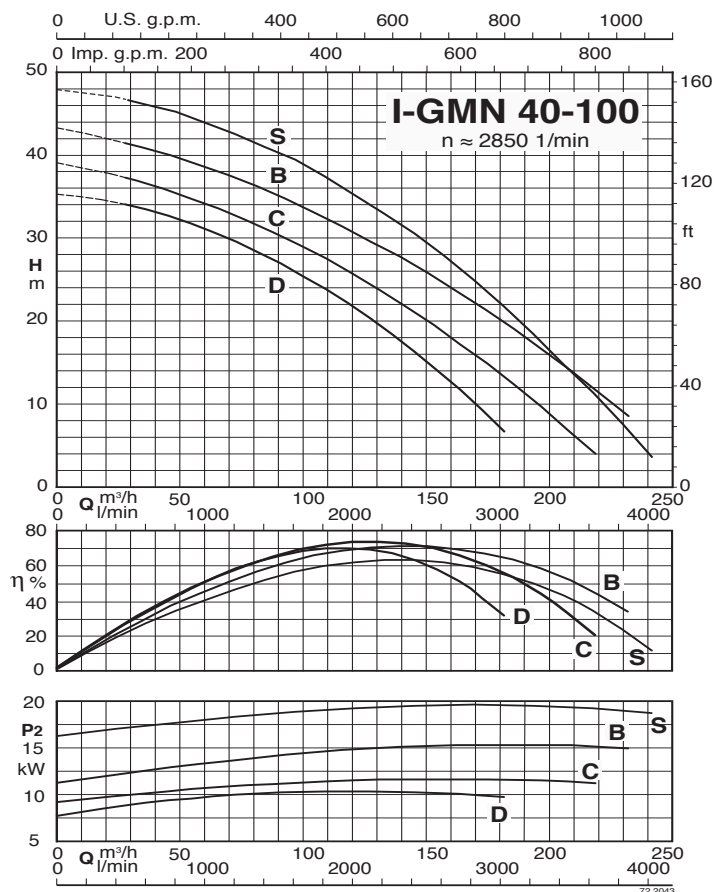
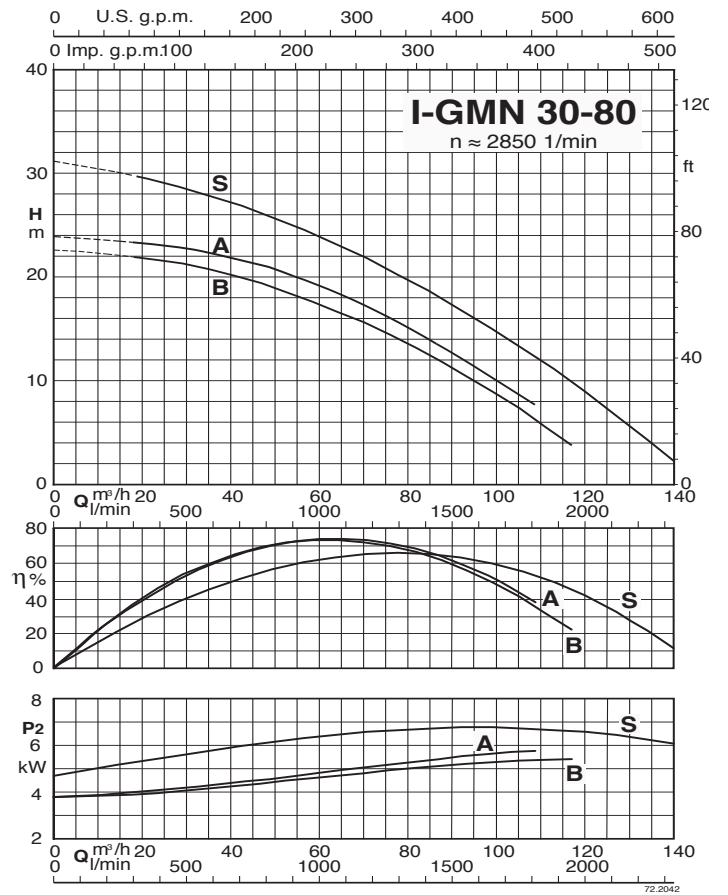
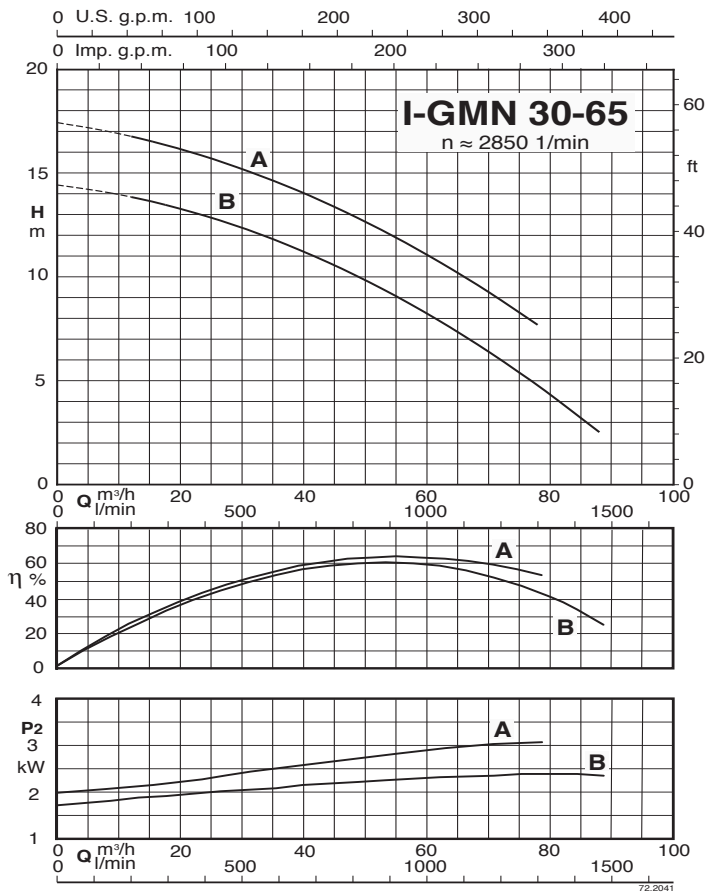
● Standard

✓ ATEX Eex Version on demand

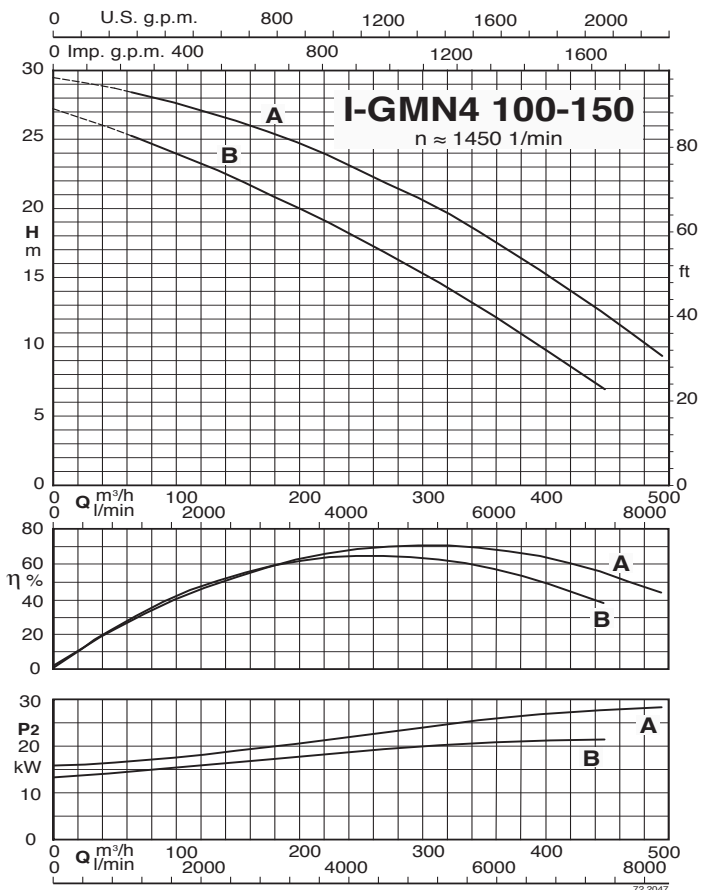
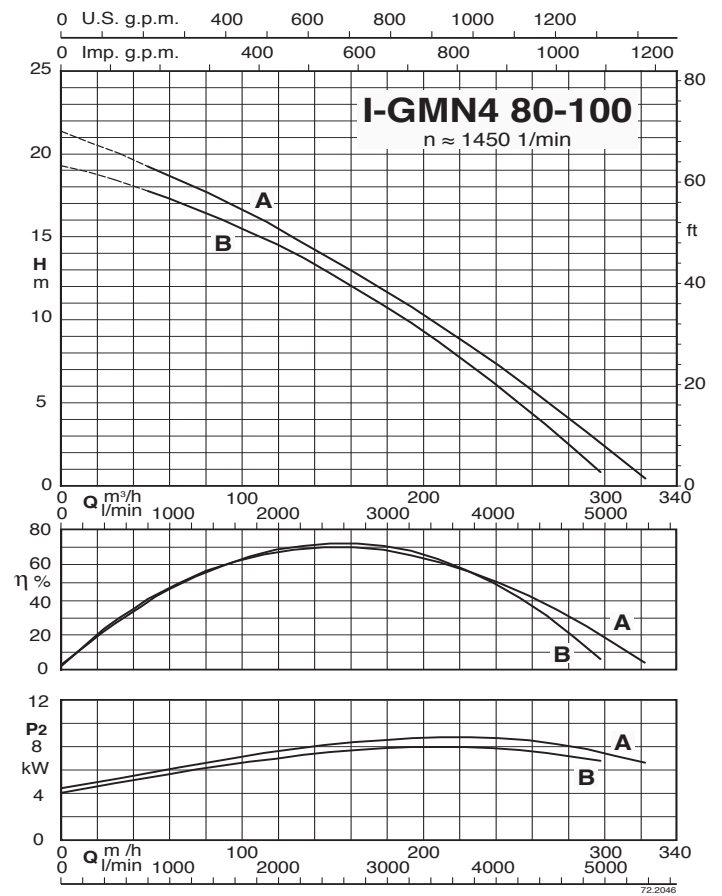
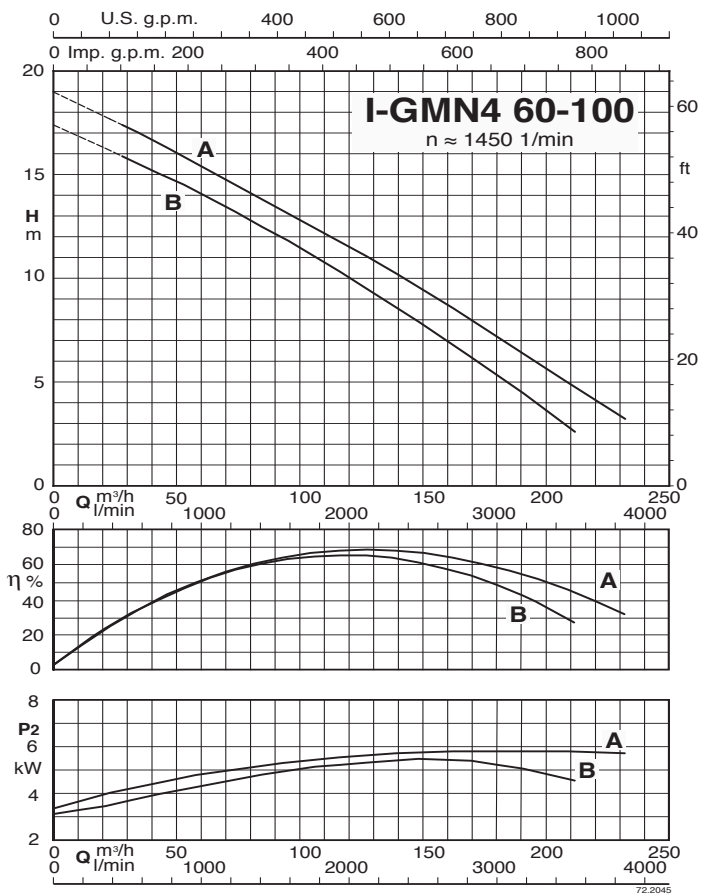
Characteristic curves



Characteristic curves

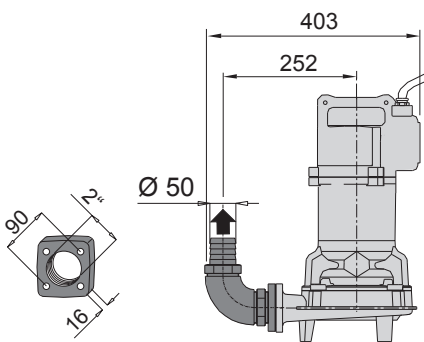
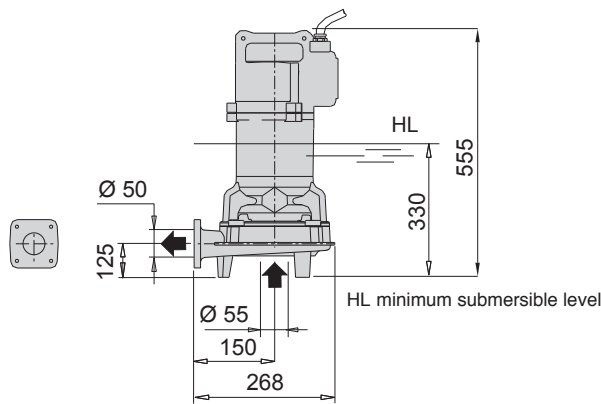


Characteristic curves

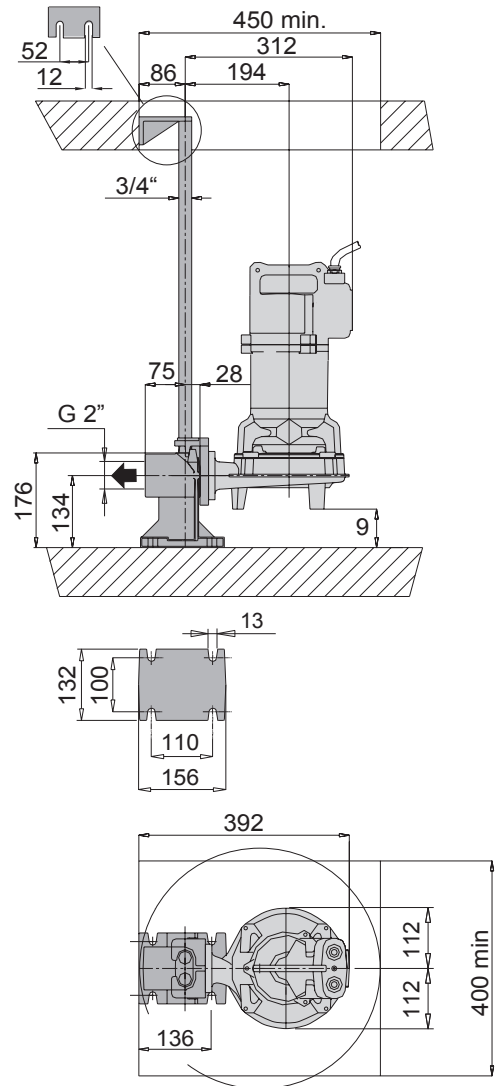


Dimensions and weights

I-GMV 50-50



Version with threaded flange and 90° elbow



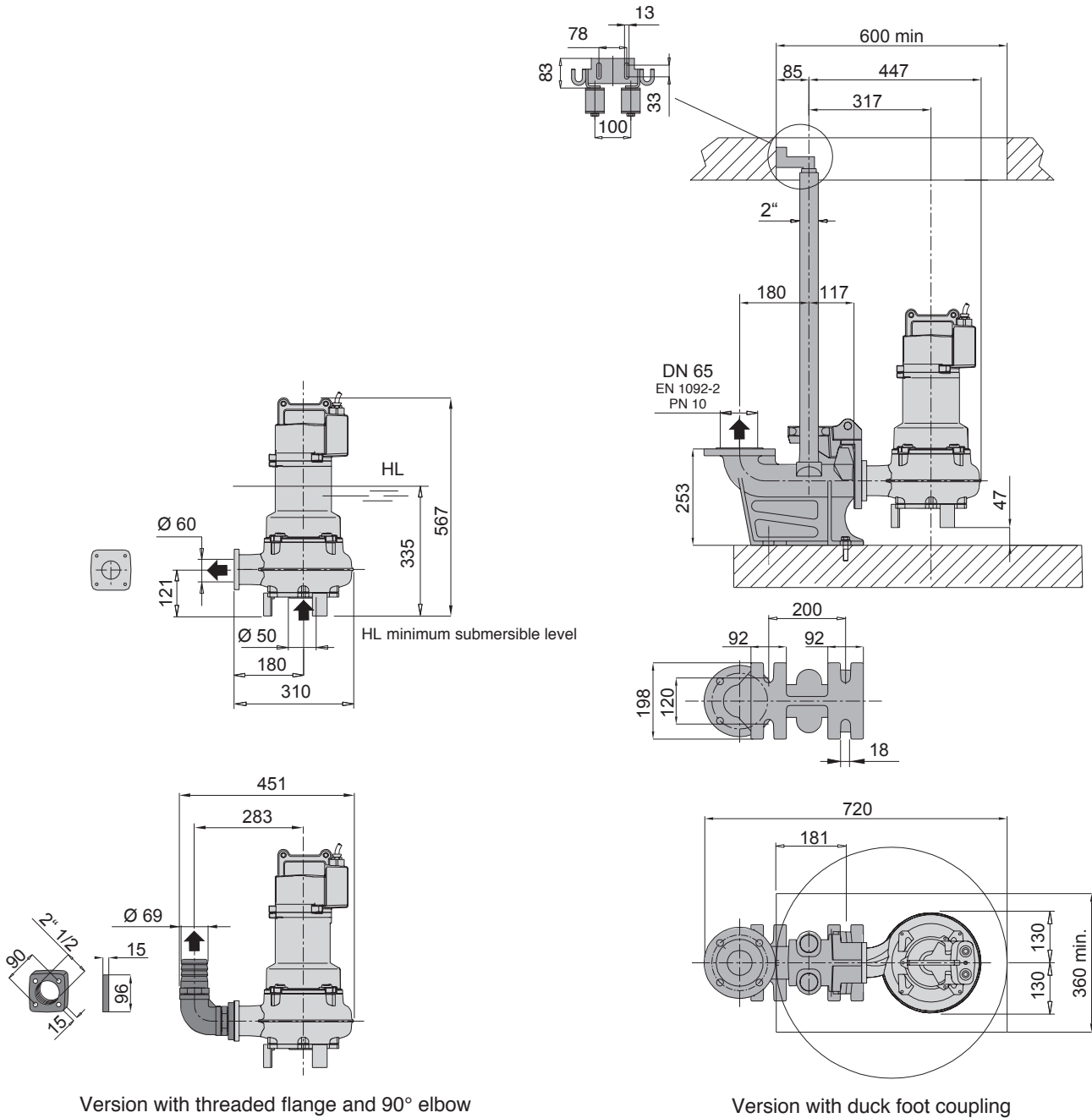
Version with duck foot coupling

TYPE	Weight kg
I-GMV 50-50C	46
I-GMV 50-50B/A	
I-GMV 50-50A/A	

Dimensions and weights

I-GMV4 50-65

I-GMC 40-65



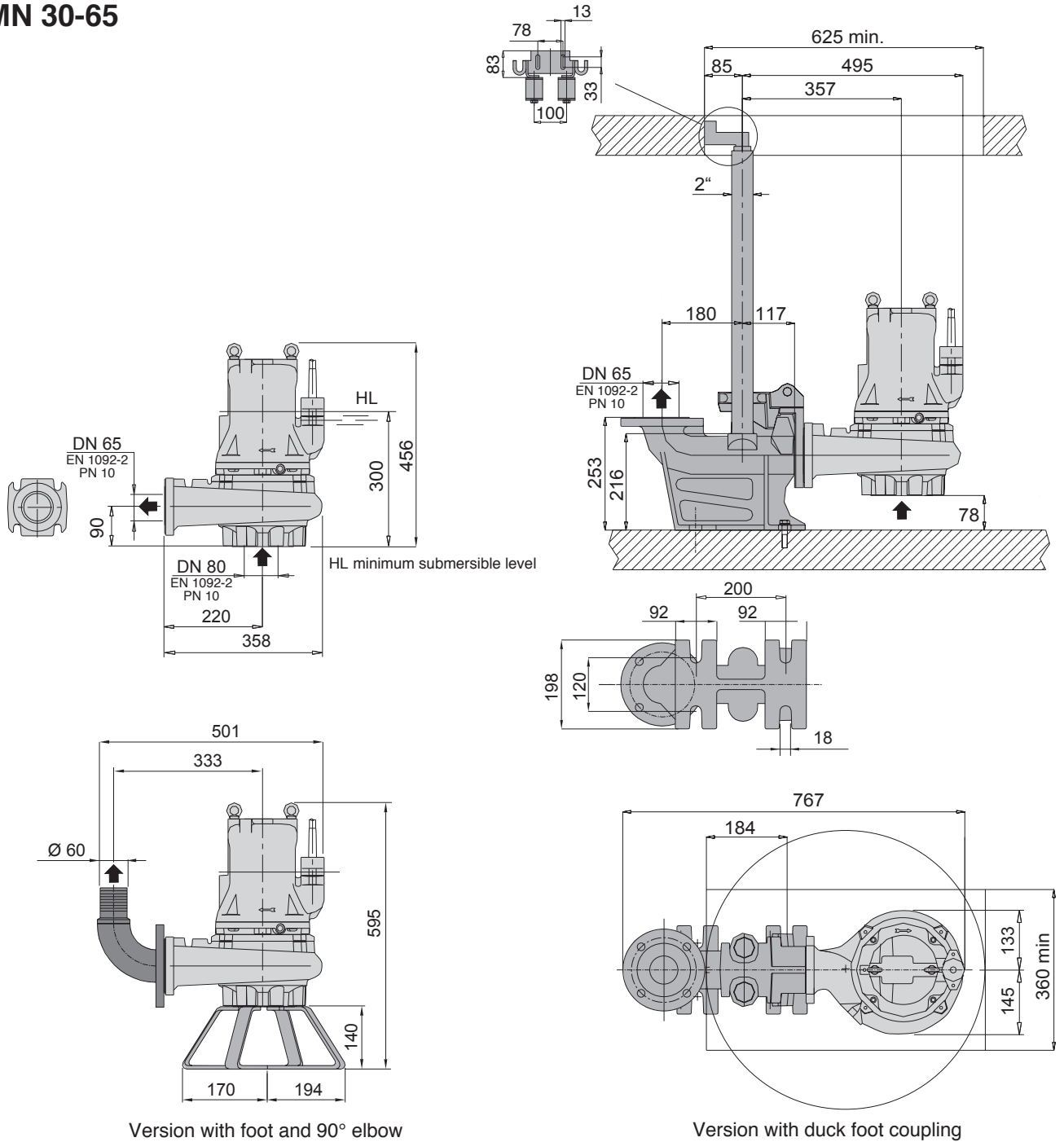
Version with threaded flange and 90° elbow

Version with duck foot coupling

TYPE	Weight kg
I-GMV4 50-65C	47
I-GMV4 50-65B	
I-GMV4 50-65A	
I-GMC 40-65B	49
I-GMC 40-65A	

Dimensions and weights

I-GMN 30-65



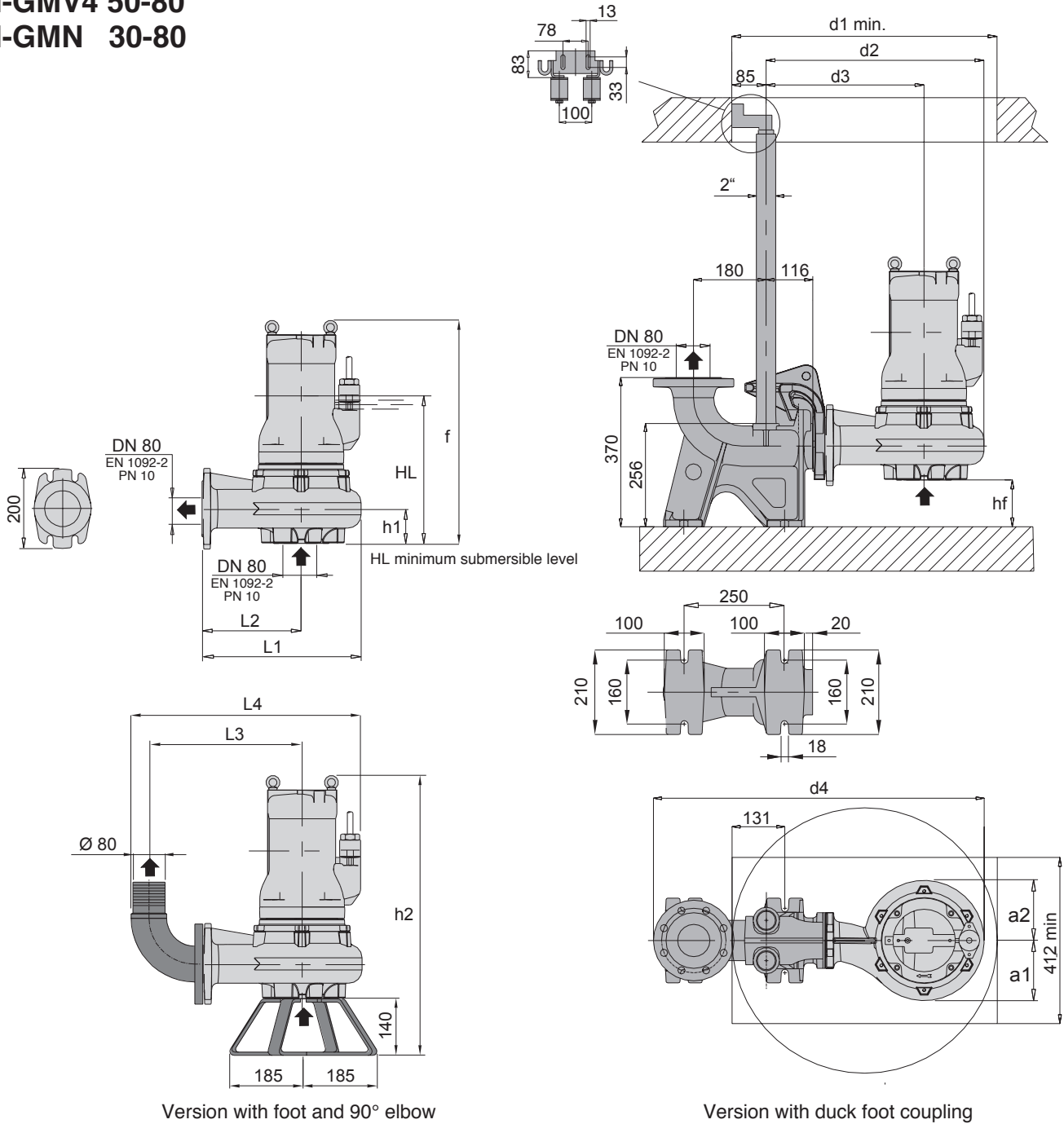
Version with foot and 90° elbow

Version with duck foot coupling

TYPE	Weight kg
I-GMN 30-65B	60
I-GMN 30-65A	

Dimensions and weights

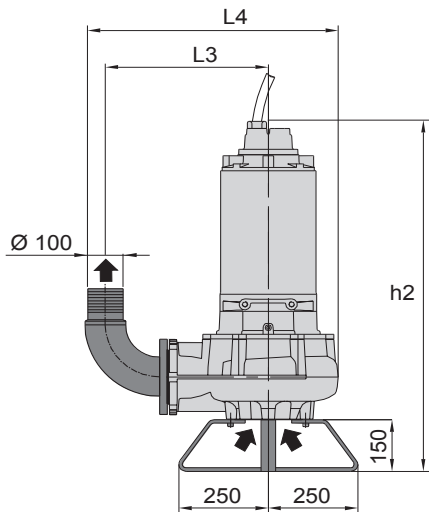
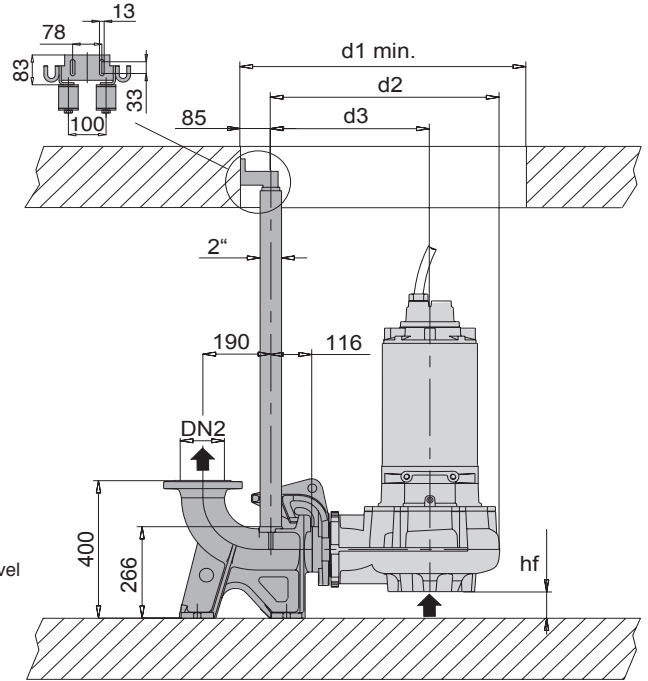
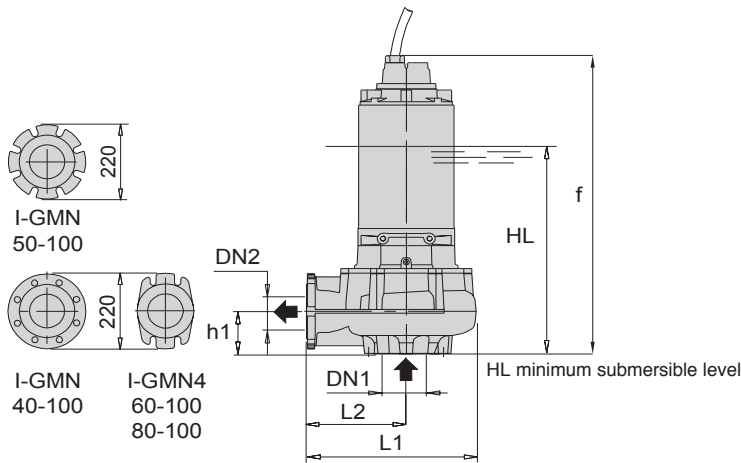
I-GMV4 50-80
I-GMN 30-80



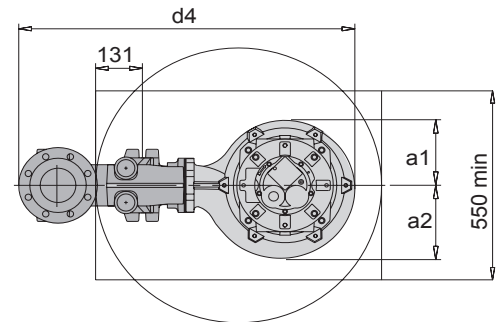
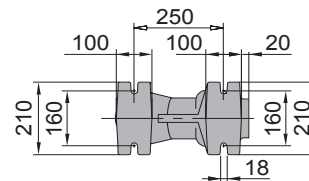
TYPE	EN 1092-2 PN 10		Dimensions mm														Weight kg	
	DN1	DN2	f	HL	hf	h1	h2	a1	a2	d1	d2	d3	d4	L1	L2	L3		L4
I-GMV4 50-80B	80	80	519	363	84	116	659	136	157	658	511	366	791	365	220	355	544	67
I-GMV4 50-80A	80	80	515	330	110	90	655	133	145	700	511	366	791	365	220	355	544	83
I-GMN 30-80B	80	80	767	438	132	68	917	165	165	700	571	386	851	405	220	362	590	170

Dimensions and weights

I-GMN 40-100
 I-GMN 50-100
 I-GMN4 60-100
 I-GMN4 80-100



Version with foot and 90° elbow

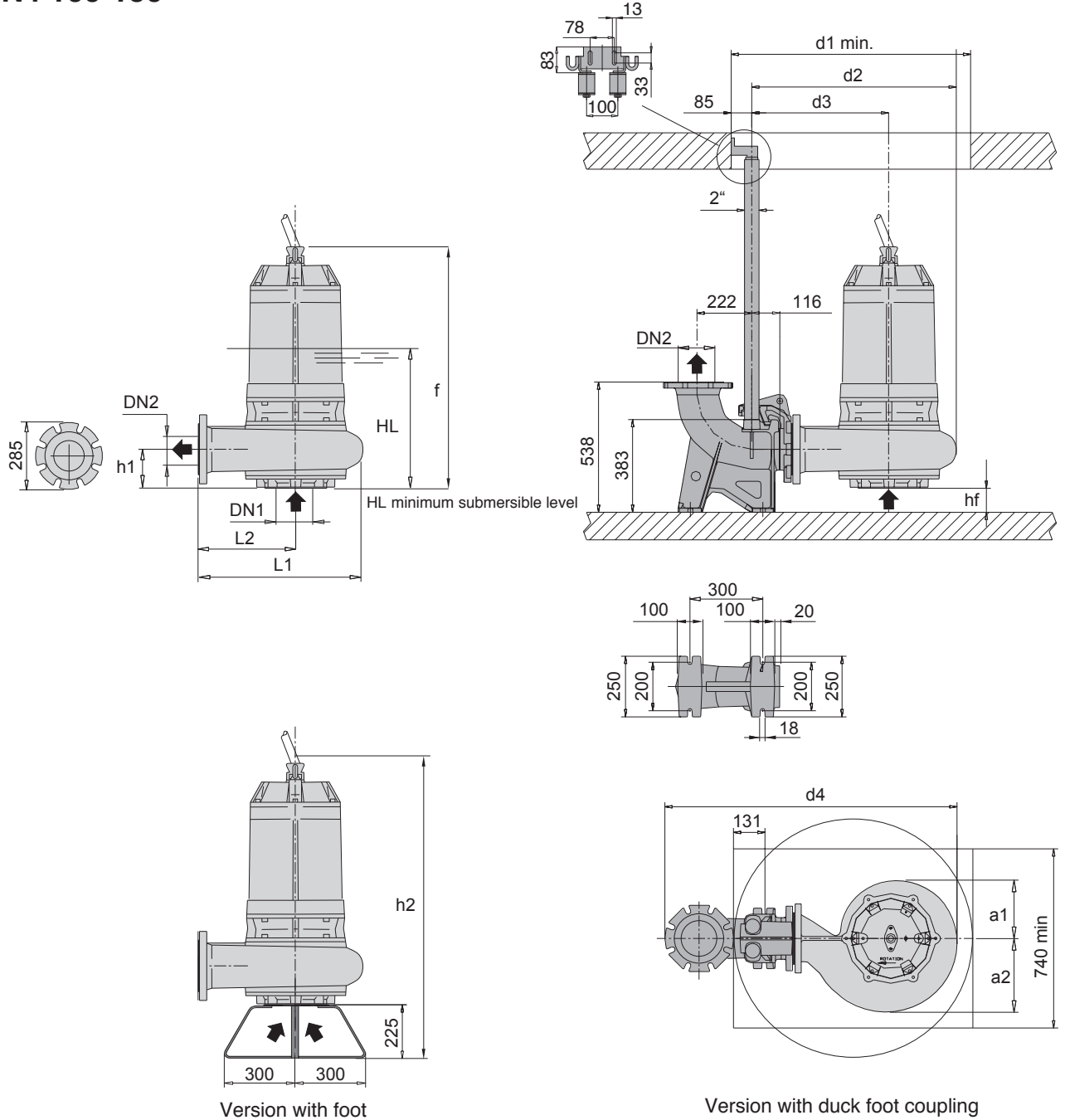


Version with duck foot coupling

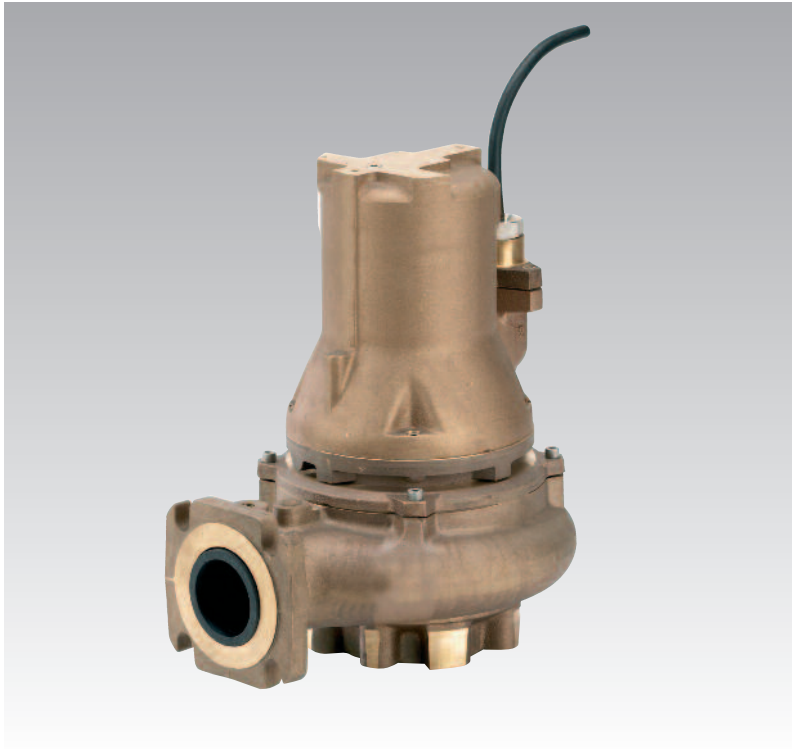
TYPE	EN 1092-2 PN 10		Dimensions mm														Weight kg	
	DN1	DN2	f	HL	hf	h1	h2	a1	a2	d1	d2	d3	d4	L1	L2	L3		L4
I-GMN 40-100D	125	100	845	478	127	73	995	168	184	750	628	441	928	467	280	449	694	210
I-GMN 40-100C																		
I-GMN 40-100B																		
I-GMN 40-100S	125	100	1269	570	127	73	1419	193	193	800	628	441	928	462	280	365	602	390
I-GMN 50-100C	125	100	1033	628	62	139	1183	180	231	850	673	466	973	507	300	474	738	364
I-GMN 50-100B																		
I-GMN 50-100A																		
I-GMN4 60-100B	125	100	852	526	54	147	1002	189	212	800	640	445	940	474	279	456	706	167
I-GMN4 60-100A																		
I-GMN4 80-100B	125	100	921	570	53	147	1071	189	212	800	640	445	940	474	279	453	706	220
I-GMN4 80-100A																		

Dimensions and weights

I-GMN4 100-150



TYPE	EN 1092-2 PN 10		Dimensions mm																Weight kg
	DN1	DN2	f	HL	hf	h1	h2	a1	a2	d1	d2	d3	d4	L1	L2	L3	L4		
GMN4 100-150B	150	150	991	576	100	160	1216	235	305	990	931	566	1208	680	400	-	-	370	
GMN4 100-150A			1055	600			1293											405	



Construction

Submersible pumps, **B 10 bronze marine** version.

B-GMV with free-flow (vortex) impeller

B-GMC with single-channel impeller

B-GMN with channels impeller

Twin mechanical seal with oil chamber (lip-seal motor side up to 2,4 kW 2 poles).

Delivery connection DN 50-65-80

Applications

Suitable to pump industrial waste water in chemical, and process industries, agricultural and marine areas.

Solid passage from 30 to 50 mm

Operating conditions

Liquid temperature up to 40 °C.

Maximum immersion depth: 20 m (with suitable cable length).

Continuous duty (with pump immersed at minimum level).

Main materials

Pump casing, Motor casing, Motor cover: B 10 bronze marine

Impeller: stainless steel AISI 316

Motor shaft: stainless steel AISI 316L

Screws: stainless steel AISI 316

Mechanical seal motor side: graphite/ceramic/FPM (lip-seal made of nitrile up to 2,4 kW 2 poles).

Mechanical seal pump side: silicon carbide/silicon carbide/FPM

Motor

2 or 4 poles induction, 50Hz

Three-phase version: 400V ± 10%, up to 3,2 kW

400/690V ± 10%, over 3,2 kW

Insulation class: H

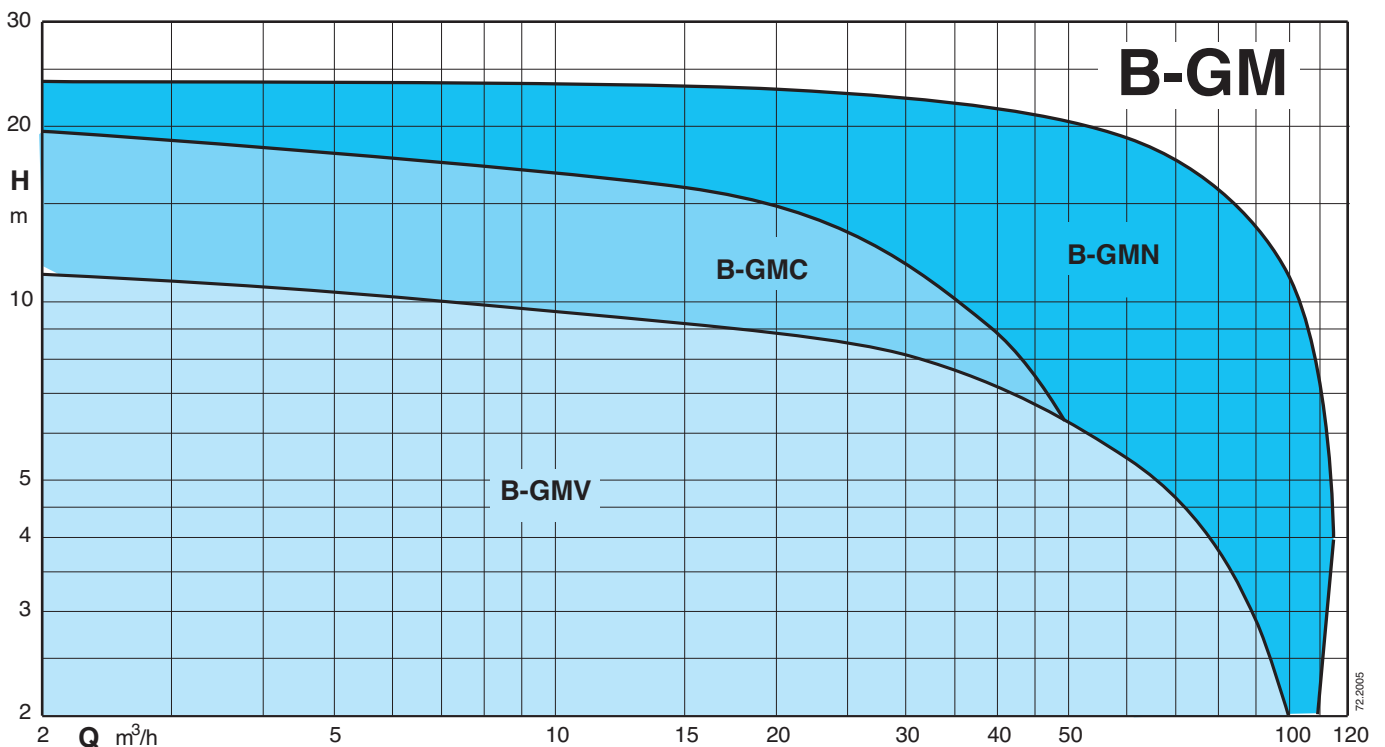
Protection degree: IP 68

N° of starting x hour: max 15 with regular intervals


Cable: H07RN-F, length 10 m

Other models: contact our sale office

Coverage chart



Technical data

TYPE	P ₂ kW	I _N A	Power Supply	r.p.m.	Starting	DN mm	Free passage Ø mm	Thermal protector	Humidity probe	 ATEX Eex
B-GMV 50-50C	1,4	3,5	3~ 400V	2850	D.O.L.	50	50	NO	NO	✓
B-GMV 50-50B/A	1,4	3,5	3~ 400V	2850	D.O.L.	50	50	NO	NO	✓
B-GMV 50-50A/A	2,4	5	3~ 400V	2850	D.O.L.	50	50	NO	NO	✓
B-GMV4 50-65C	1	3	3~ 400V	1450	D.O.L.	65	50	NO	NO	✓
B-GMV4 50-65B	1	3	3~ 400V	1450	D.O.L.	65	50	NO	NO	✓
B-GMV4 50-65A	1,3	3,5	3~ 400V	1450	D.O.L.	65	50	NO	NO	✓
B-GMV4 50-80B	2,3	5	3~ 400V	1450	D.O.L.	80	50	NO	NO	✓
B-GMV4 50-80A	2,8	6,5	3~ 400V	1450	D.O.L.	80	50	NO	NO	✓
B-GMC 40-65B	2,4	5	3~ 400V	2850	D.O.L.	65	40	NO	NO	✓
B-GMC 40-65A	2,9	6	3~ 400V	2850	D.O.L.	65	40	NO	NO	✓
B-GMN 30-65B	3,2	6,5	3~ 400V	2850	D.O.L.	65	30	NO	NO	✓
B-GMN 30-65A	3,2	6,5	3~ 400V	2850	D.O.L.	65	30	NO	NO	✓
B-GMN 30-80B	5,7	12,5	3~ 400/690V	2850	Y/Δ	80	30	●	●	✓
B-GMN 30-80A	5,7	12,5	3~ 400/690V	2850	Y/Δ	80	30	●	●	✓

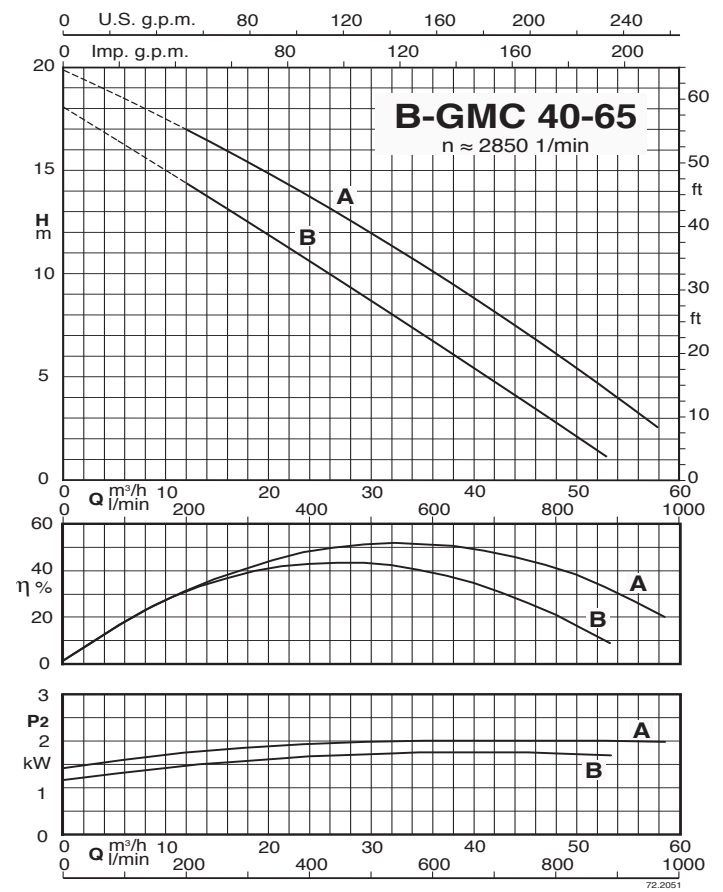
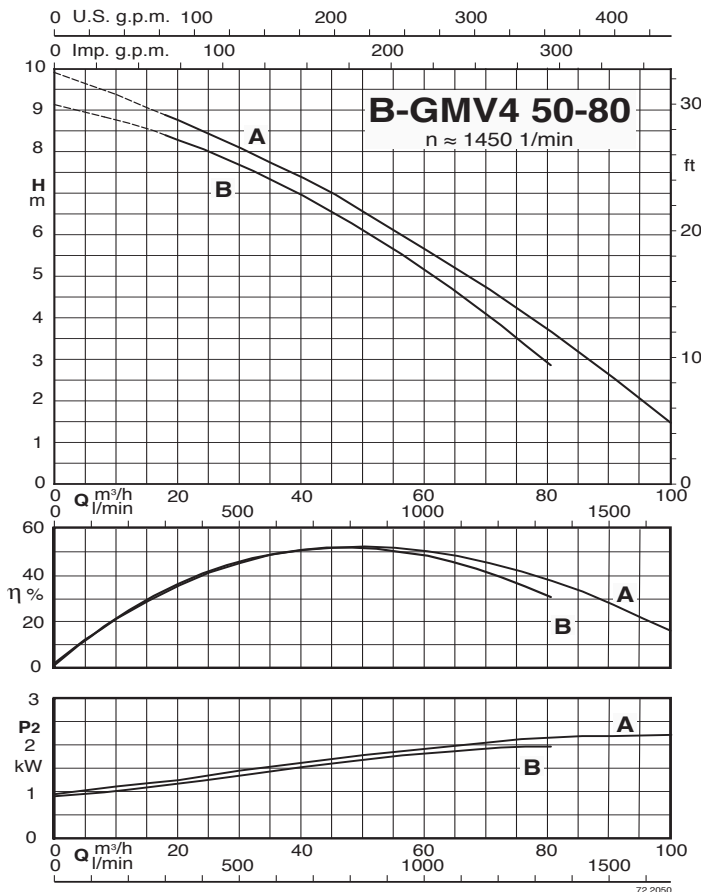
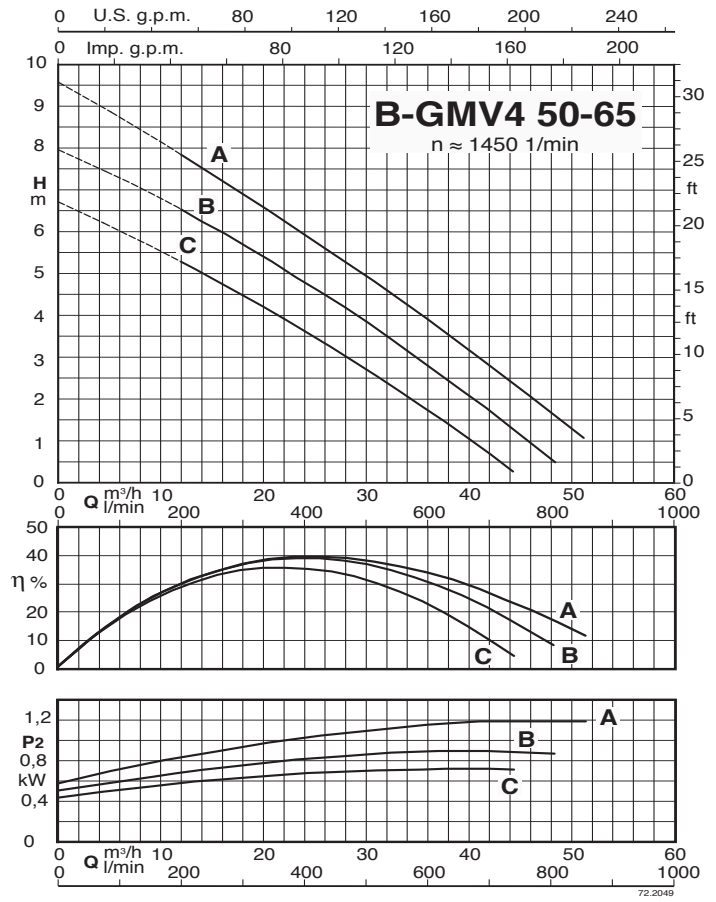
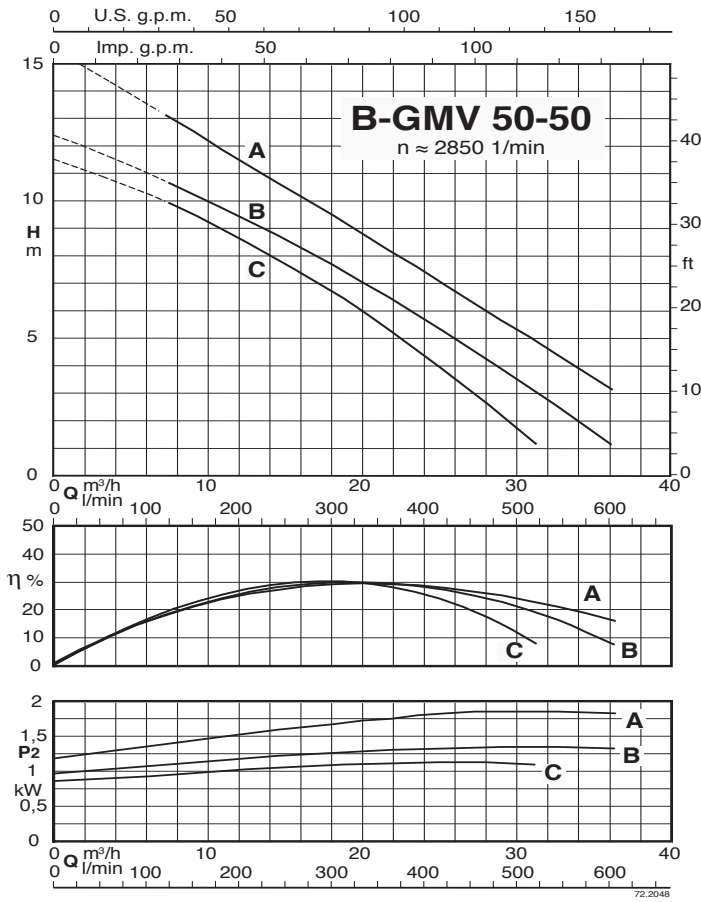
P₂ Rated power output

I_N Rated current

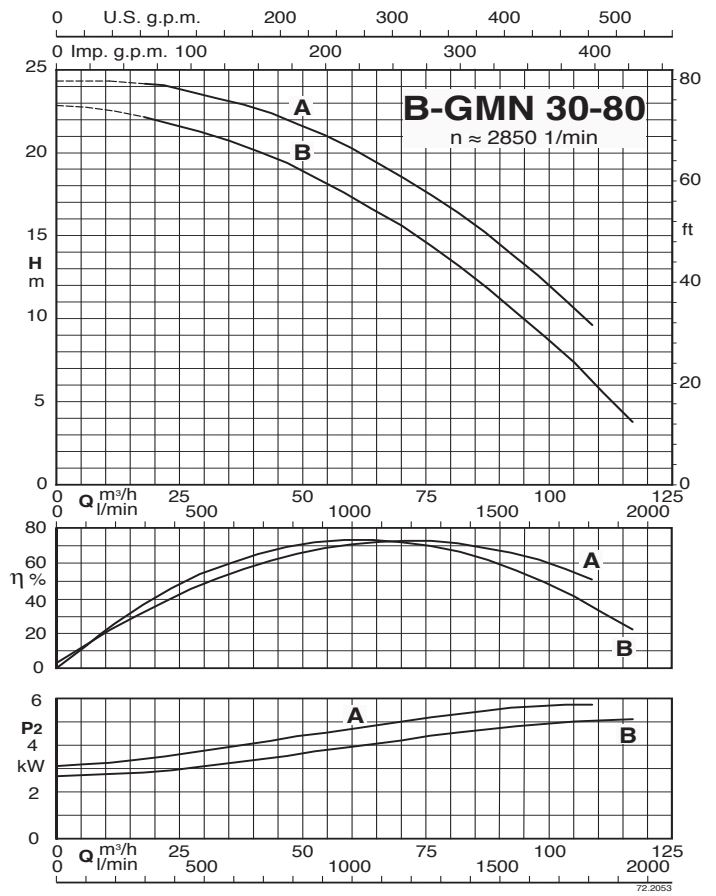
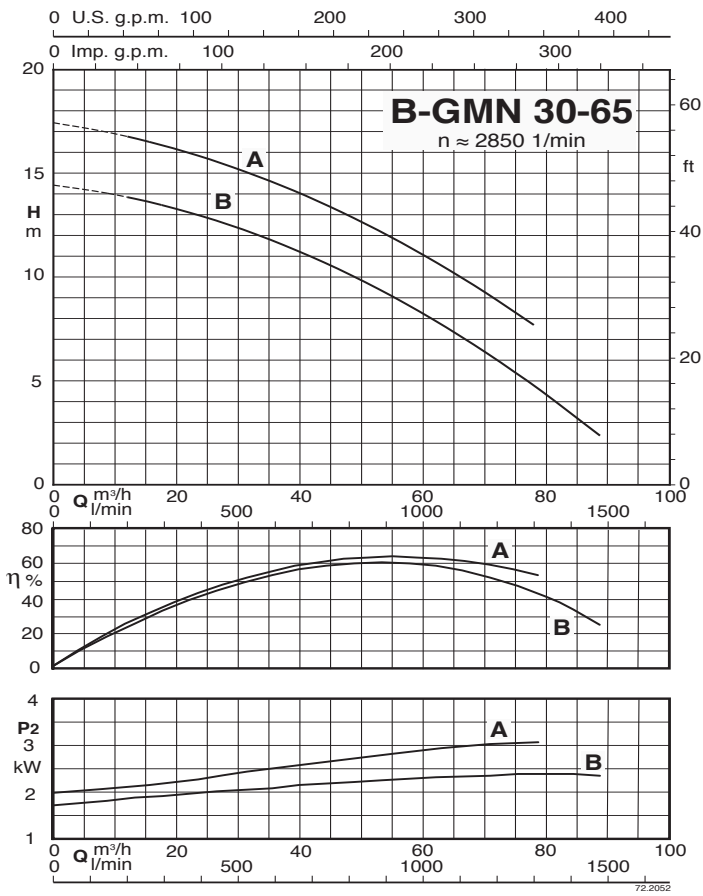
● Standard

✓ ATEX Eex Version on demand

Characteristic curves

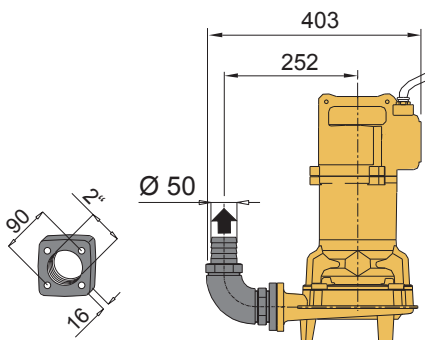
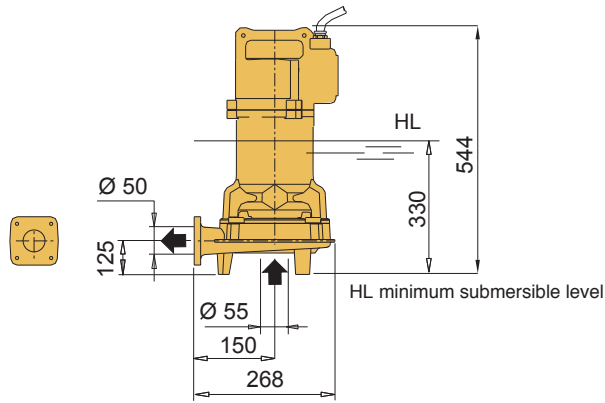


Characteristic curves

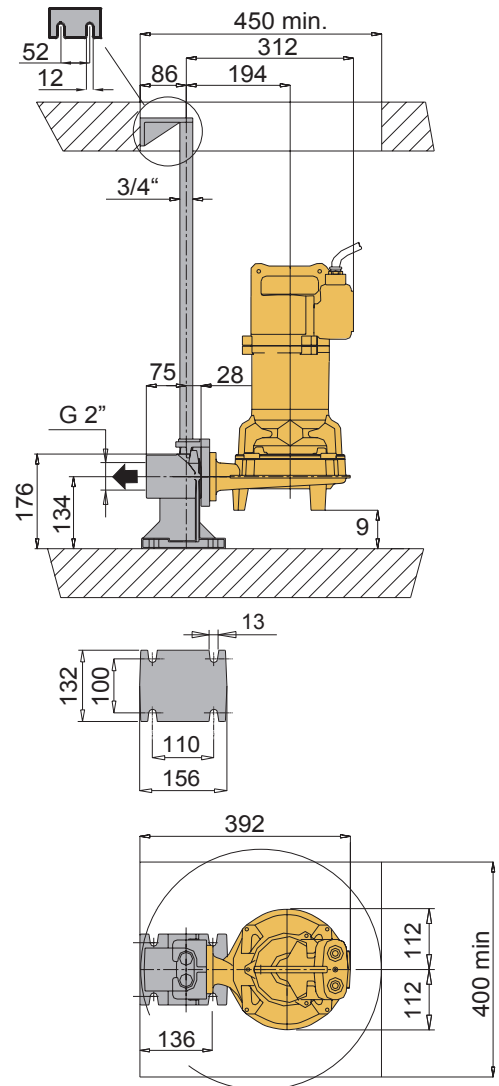


Dimensions and weights

B-GMV 50-50



Version with threaded flange and 90° elbow

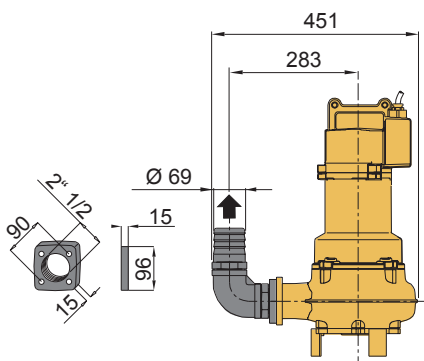
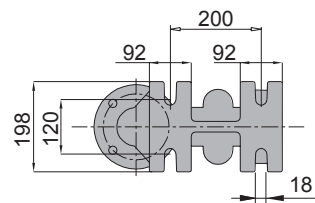
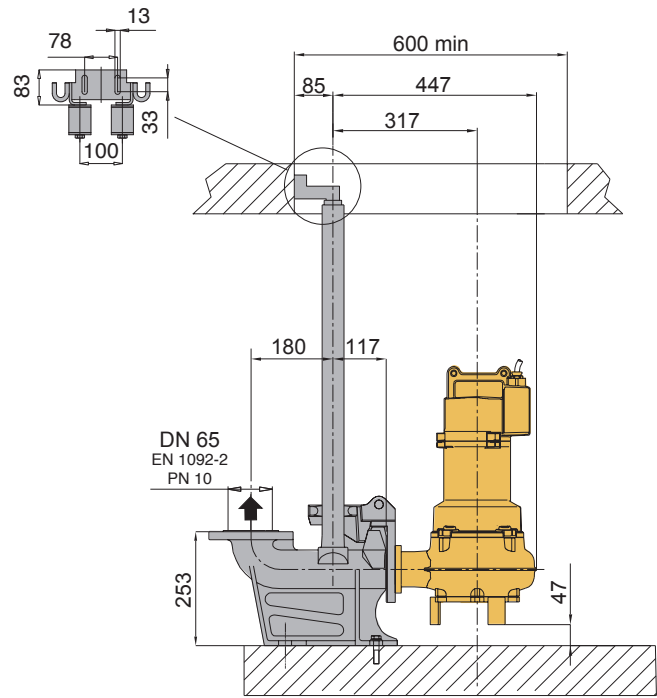
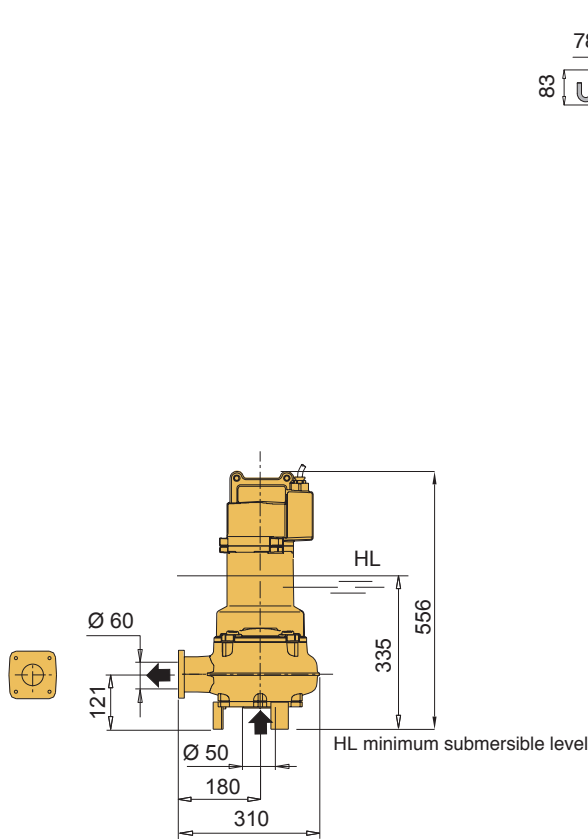


Version with duck foot coupling

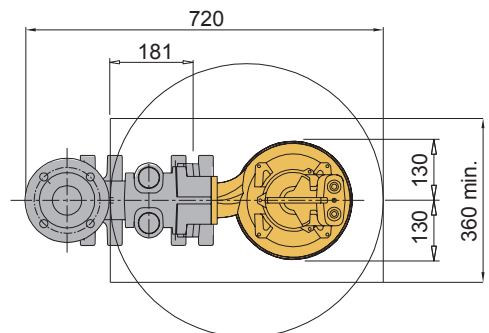
TYPE	Weight kg
B-GMV 50-50C	48
B-GMV 50-50B/A	
B-GMV 50-50A/A	

Dimensions and weights

B-GMV4 50-65
B-GMC 40-65



Version with threaded flange and 90° elbow

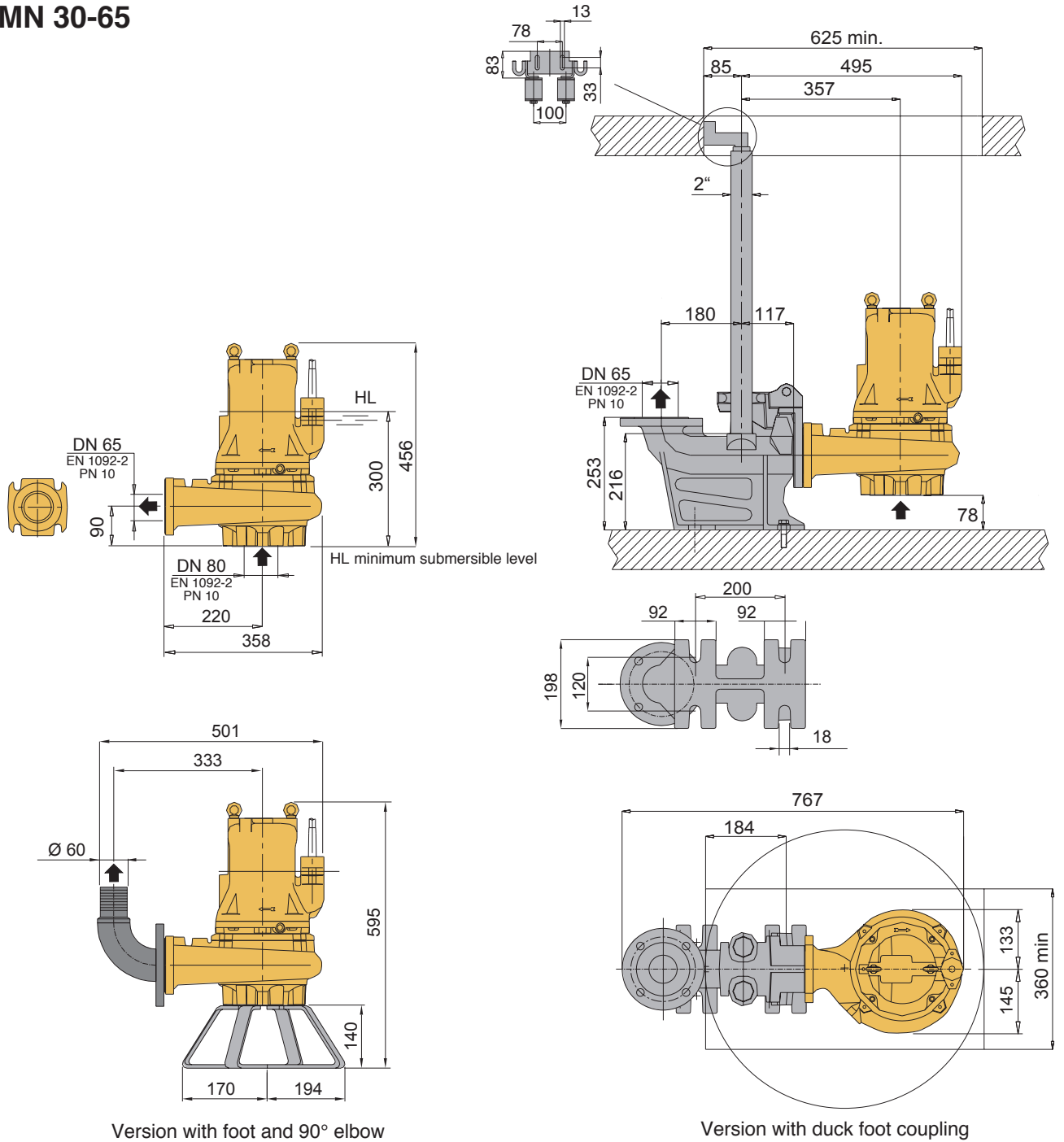


Version with duck foot coupling

TYPE	Weight kg
B-GMV4 50-65C	48
B-GMV4 50-65B	
B-GMV4 50-65A	
B-GMC 40-65B	50
B-GMC 40-65A	

Dimensions and weights

B-GMN 30-65



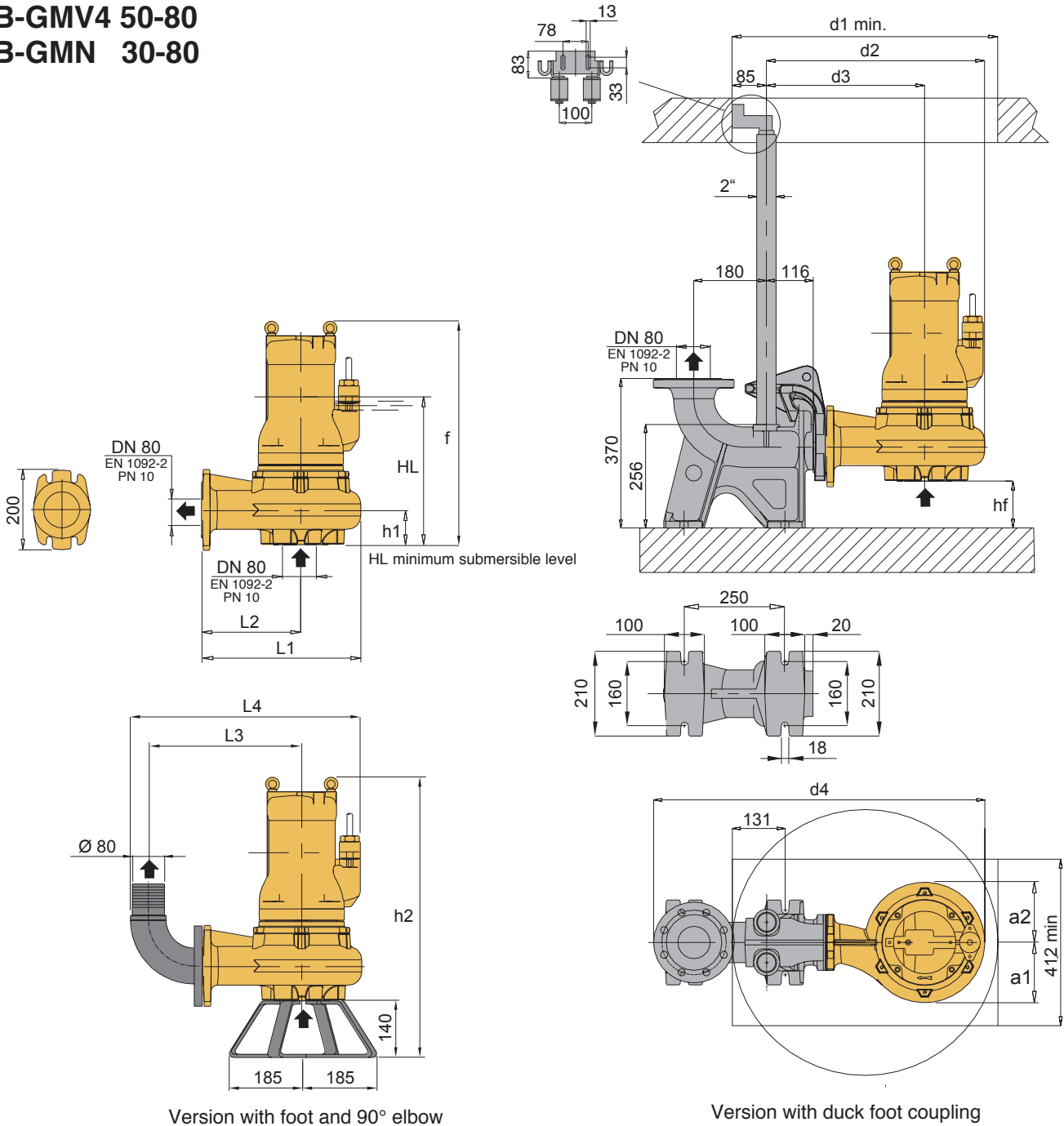
Version with foot and 90° elbow

Version with duck foot coupling

TYPE	Weight kg
B-GMN 30-65B	65
B-GMN 30-65A	

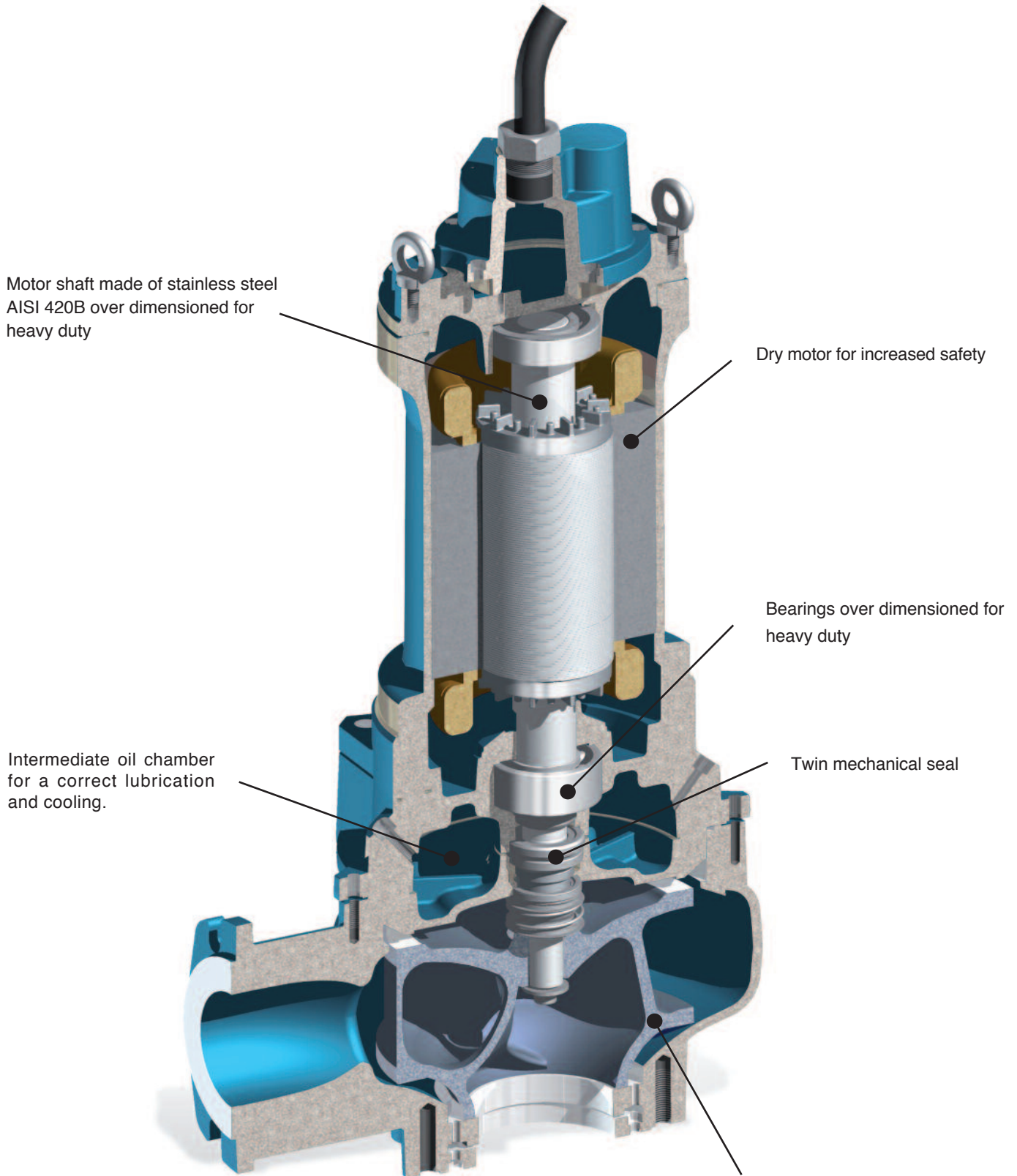
Dimensions and weights

B-GMV4 50-80
B-GMN 30-80



TYPE	EN 1092-2 PN 10		Dimensions mm														Weight kg	
	DN1	DN2	f	HL	hf	h1	h2	a1	a2	d1	d2	d3	d4	L1	L2	L3		L4
B-GMV4 50-80B	80	80	519	363	84	116	659	136	157	658	511	366	791	365	220	355	544	73
B-GMV4 50-80A																		
B-GMN 30-80B	80	80	515	330	110	90	655	133	145	700	511	366	791	365	220	355	544	90
B-GMN 30-80A																		

Features



Motor shaft made of stainless steel AISI 420B over dimensioned for heavy duty

Dry motor for increased safety

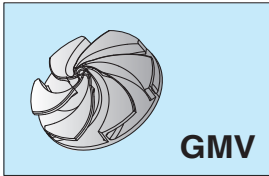
Bearings over dimensioned for heavy duty

Intermediate oil chamber for a correct lubrication and cooling.

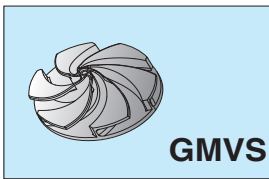
Twin mechanical seal

Impellers and volutes are developed to optimize the hydraulic efficiency and provide a clear exit for filamentous and solid materials.

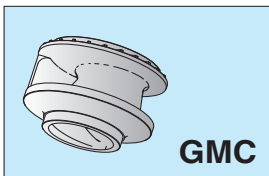
THE IMPELLERS



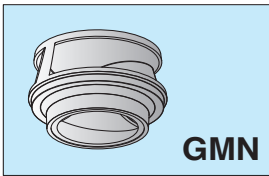
Vortex impeller suitable for pumping liquids containing large solids and/or fibrous materials.
Applications: urban sewerage systems, animal breeding plants.



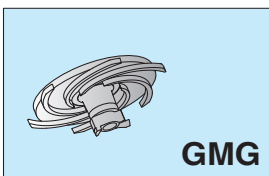
Sand Vortex Water Impeller in Polyurethane with a stainless steel core.
Applications: in plants with a high sand presence, in marble work companies, in the ceramic industry, crystals machining or industrial processes where there's presence of abrasives liquids.



Single channel impeller, for liquids containing fibrous materials and/or suspended solids.
Applications: purification plants, tanneries, animal breeding plants.

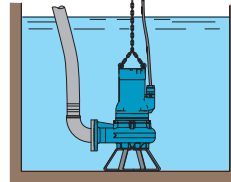


Closed multi-channel impeller, for clean liquids or light solids without filamentous materials.
Applications: large drainage systems, purification plants.

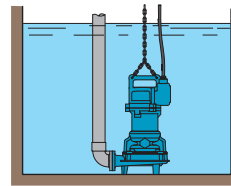


Multi-blade suction impeller with grinder constructed in stainless steel AISI 440, particularly suitable as a grinder for paper or textile materials.
Applications: clearance of waste waters originating from service stations, residential communities, camping sites, etc..

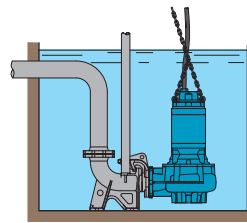
THE STANDARD INSTALLATIONS



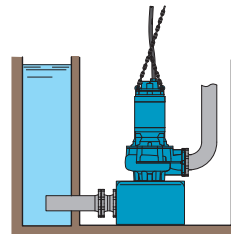
A Mobile and emergency installation with x-foot support



B Free installation and threaded elbow

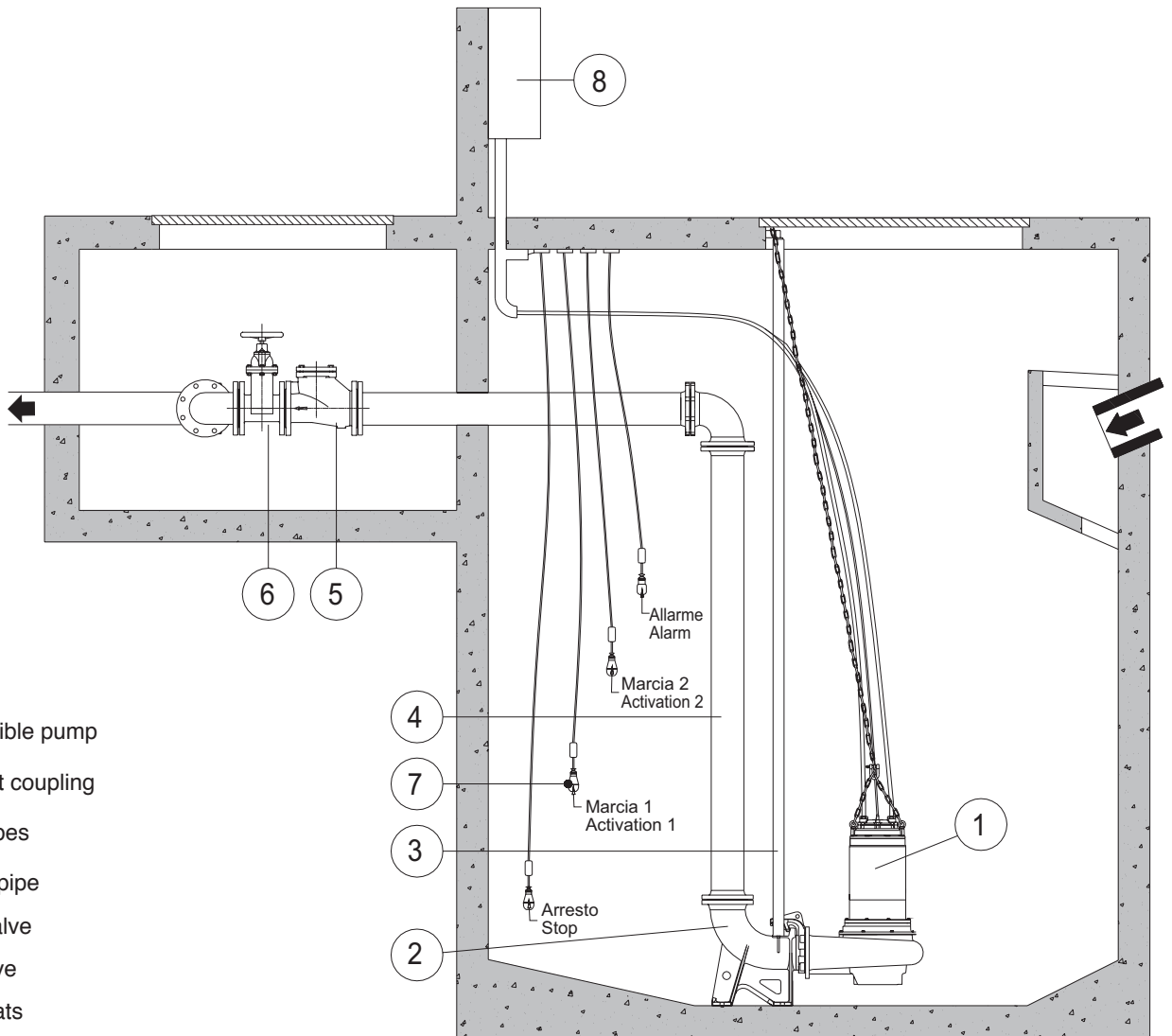


C Fixed installation with automatic coupling feet and guide rails.

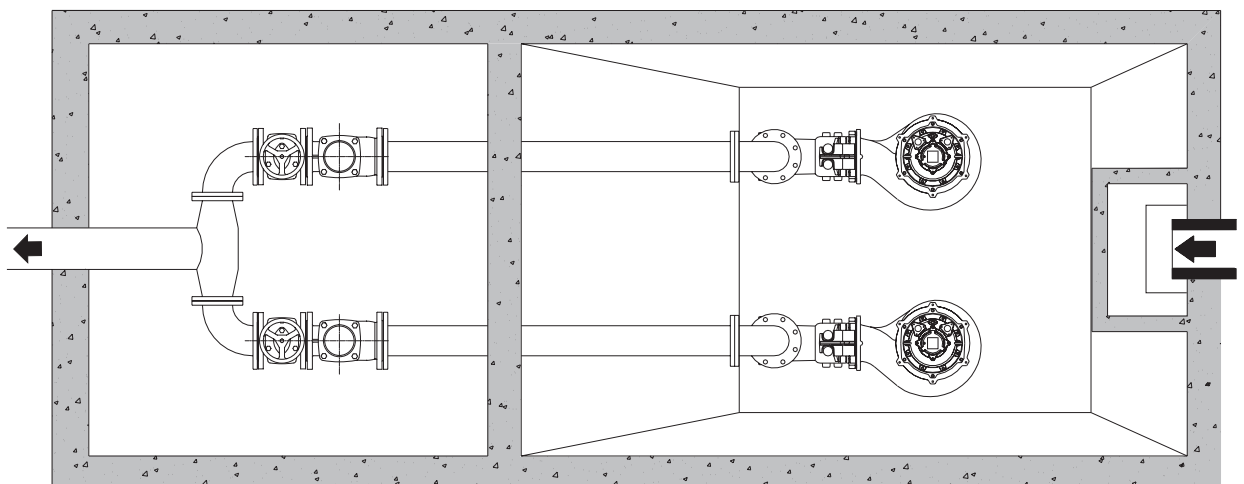


D Dry pit installation, with x-foot rest and suction bend.
 Pump equipped with cooling jacket.

Installation with duck foot coupling



- 1 Submersible pump
- 2 Duck foot coupling
- 3 Guide pipes
- 4 Delivery pipe
- 5 Check valve
- 6 Gate valve
- 7 Level floats
- 8 Control box



Accessories

Non-return ball valves

Construction

Non-return self-cleaning ball valves, suitable for dirty and viscous liquids, sewage water.

Operating conditions

Working temperature from -10°C up to +80°C

Rated pressure: 10 bar

Vertical or horizontal installation

Materials

Valve body: Cast iron EN-GJL-250

Cover: Cast iron EN-GJL-250

Ball: Resin for threaded VNRP

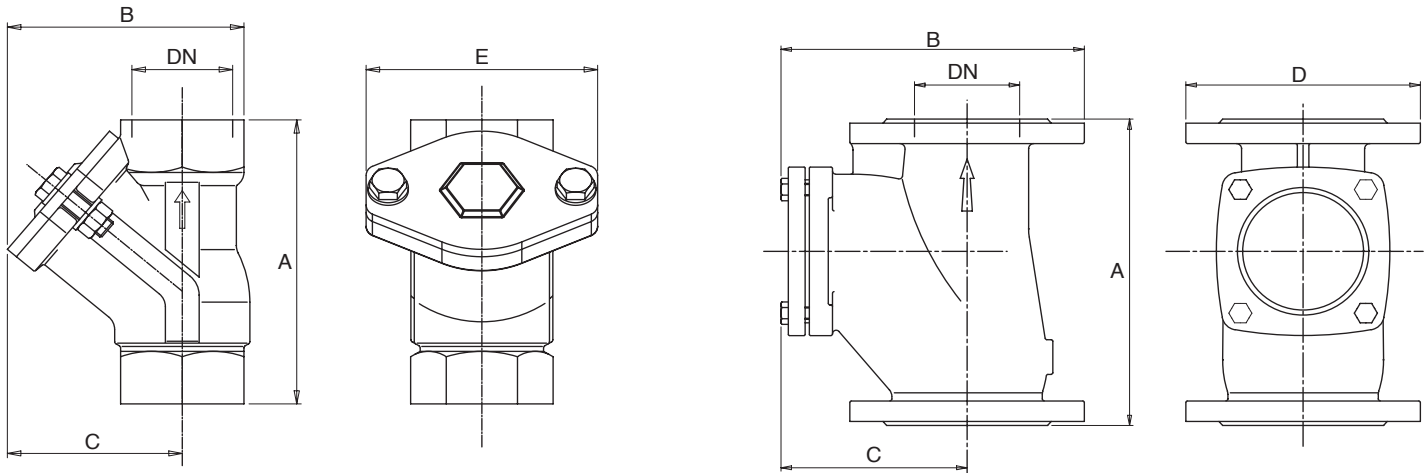
Resin + nitril for VNRP DN 50-100

Cast iron + nitril for VNRP DN 125-250

Screws: SS AISI 304

Joint: nitril

Dimensions



TYPE	DN mm	mm				Weight kg
		A	B	C	E	
VNRP 1 1/4	1" 1/4	132	111	83	108	1,9
VNRP 1 1/2	1" 1/2	145	122	90	120	2,4
VNRP 2	2"	173	145	110	135	3,6
VNRP 2 1/2	2" 1/2	200	175	130	155	6,5

TYPE	DN mm	mm				Weight kg
		A	B	C	D	
VNRP 50	50	182	192	120	165	9,5
VNRP 65	65	204	215	124	185	14
VNRP 80	80	260	250	150	200	19,5
VNRP 100	100	300	290	180	220	23,5
VNRP 125	125	350	340	215	250	36
VNRP 150	150	400	388	245	285	38,5
VNRP 200	200	500	480	310	340	69