



IWAKI
MAGNETIC
DRIVE
PUMPS

MDM



Patent & Pat.Pend.

JAPAN / U.S.A. / EU / CHINA / TAIWAN

Solution for chemical handling applications

Magnetic drive process pump resistant to dry run damage

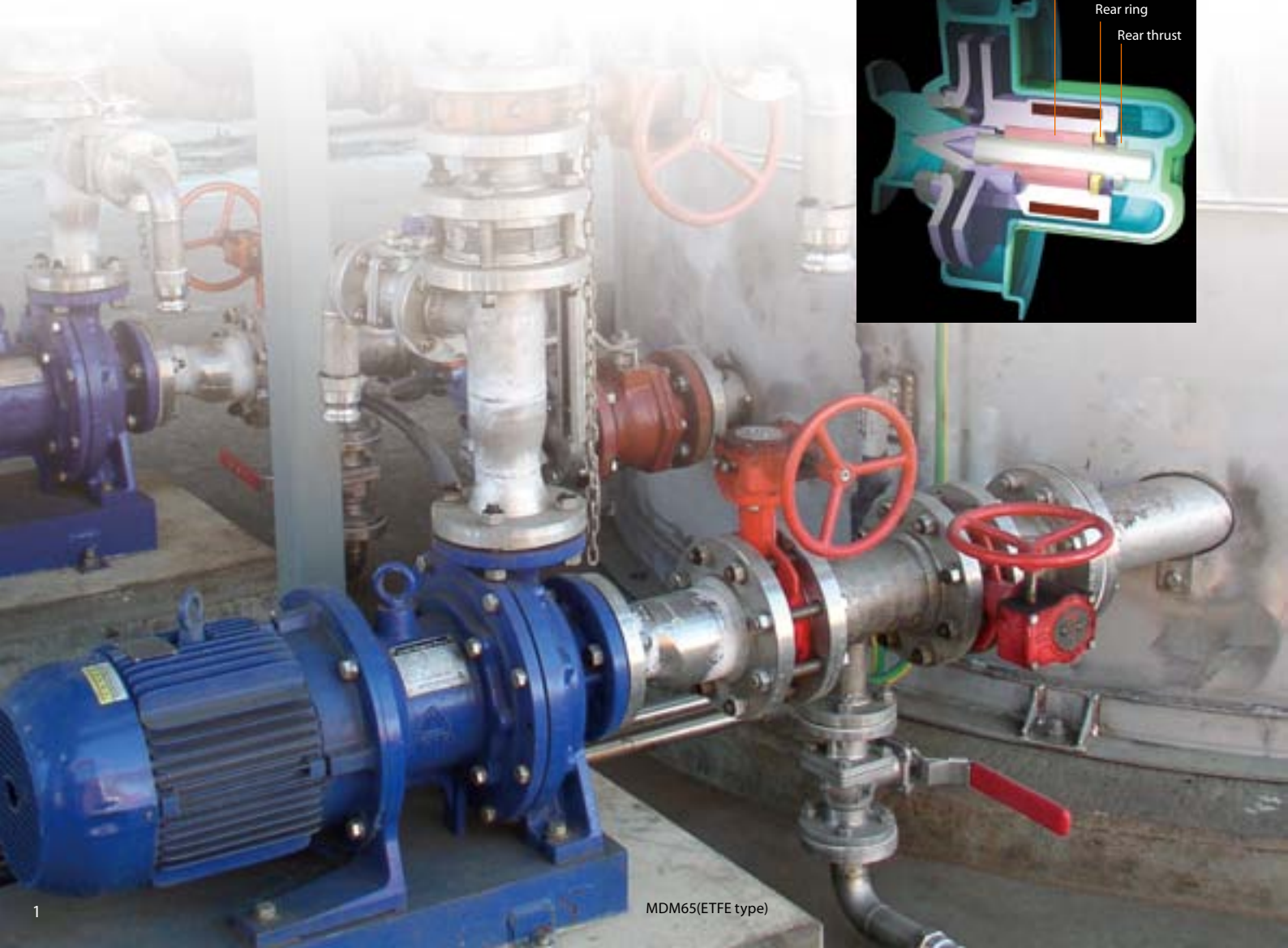
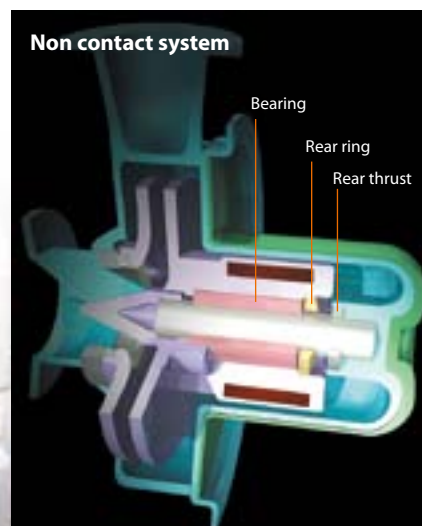
The MDM Series of Magnetic drive process pumps have wetted parts made of fluororesin. Natural PFA and CFRETFE being standard materials of construction. The MDM features a unique mechanism which gives a greatly improved performance against dry running (Non contact system). Applications cover a wide range of chemical process duties from acid to alkali together with high purity chemicals for the semiconductor industry.

Unique design prevents dry running

(Non contact system) (PAT.)

The pump design features a mechanism to withstand dry running. High magnet power of the rare earth magnets prevents the magnet capsule coming into contact with the thrust ring of the rear casing, thus preventing melting of fluororesin components due to heat generation. This greatly improves resistance against dry running in comparison with conventional magnetic drive pumps made of fluororesin.

Note: Only CF type (fitted with high density carbon bearing) can cope with dry running. Dry running is not permitted in the case of KK type.



MDM65(ETFE type)

ETFE and PFA available in standard models

Carbon fibre reinforced CFRETFE and PFA linings can be supplied to meet many varying duties. PFA being a natural unfilled material generates fewer contaminants and makes it ideally suited for transfer of high purity chemicals.

Highly durable structure

A ductile cast iron shell adds strength and durability to the outer peripheral surfaces of the fluororesin pump module. The rear casing which is placed under the highest stress is protected by a rear casing cover made from fibre reinforced plastic. This gives sufficient strength and eliminates the eddy current loss caused by the rotating magnetic field. Should it come into contact with the drive magnet unit, no spark would be generated and a high level of safety would be maintained.

Back pullout system

In order to facilitate inspection and maintenance, this series employs the back pullout system. This enables one to conduct inspections internally and replace parts without removing piping. The pump is designed to include safety measures that can prevent the liquid from leaking when the foot support is pulled back.

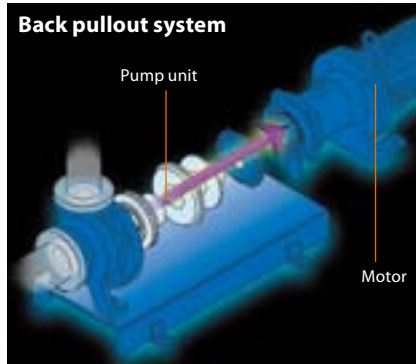
Now available high head models

High head models MDM25-3 and MDM40-2 now join MDM Series which is favoured as fluoroplastic made process magnet drive pump. The models obtain 74 meters head (50Hz), 107 meters head (60Hz) to expand the application.

Compliance with JIS standards

The pump with a common base comply with JIS Standards in regard to piping connection.

Note 1: For compatibility in size with other series of our magnet pumps, please call us.
 Note 2: ANSI and ISO standards are also available.
 For details, please call us.

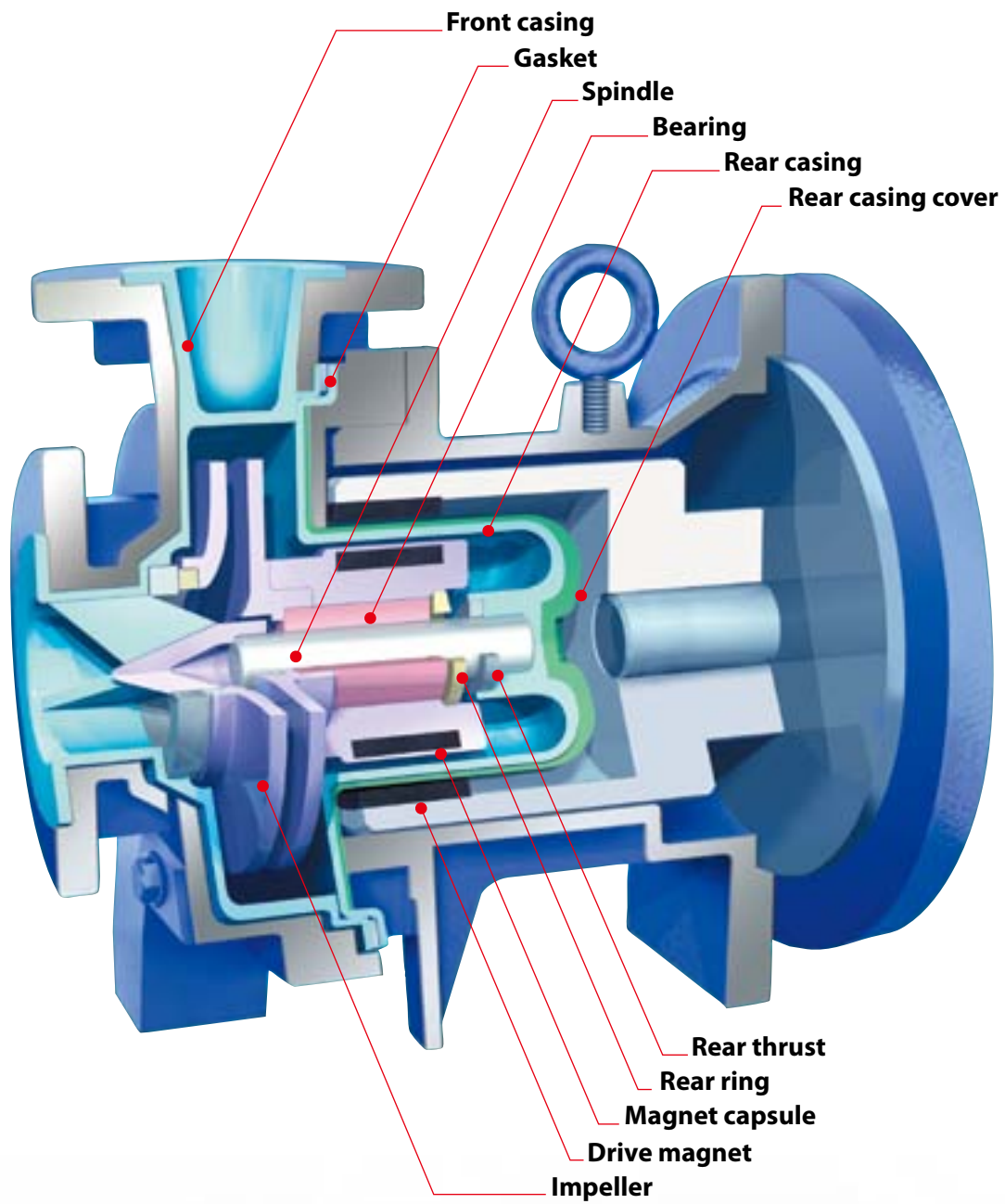


MDM25(PFA type)



MDM65(CFRETFE type)

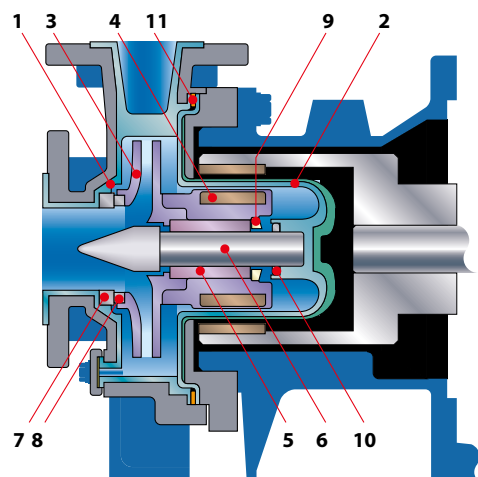
Construction



Wet-end materials

	Materials	ECF	EKK	PKK/NKK
1	Front casing	CFRETFE	SiC	PFA
2	Rear casing ^(Note 1)			
3	Impeller			
4	Magnet capsule	High density carbon	SiC	SiC
5	Bearing			
6	Spindle	High purity alumina ceramic	SiC	SiC
7	Liner ring			
8	Mouth ring	PTFE (with filler)	PTFE (with filler)	PTFE
9	Rear ring	High purity alumina ceramic		
10	Rear thrust	PTFE (with filler)	PTFE	PTFE
11	Gasket	PTFE		

Note1: Rear casing of MDM25-3 and MDM40-2 for over 80°C application is special construction (PAT).



Front casing CFRETFE type

A moulding made of carbon fibre reinforced CFRETFE. It has both a high mechanical strength and excellent corrosion resistance. The outer peripheral surfaces are reinforced by a ductile cast iron outer casing in order to achieve excellent strength and durability.



ETFE type

Front casing PFA type

The ductile cast iron casing is a one-piece moulding with natural PFA fluoro-resin lining integrally moulded. This construction is free from contamination and ideal for transfer of clean liquids or with less particle generation.

Note: For MDM25-1 PKK / 40-1 NKK type a different moulding method is used.



PFA type

Impeller

Closed type impellers are designed to give high efficiency. To ensure positive fixing of impeller to magnet capsule a spline system together with a pin fixing is employed. This prevents the impeller from moving axially off the magnet capsule (PAT PEND.). MDM25 and 40 models now have impellers capable of reaching max. heads of 74 meters (50Hz), 107 meters (60Hz) to widen the range of application.



CFRETFE type



PFA type

Rear casing Rear casing cover

The fluoro-resin rear casing is strengthened by the outer rear casing cover which is manufactured in fibre reinforced plastic capable of withstanding a pressure of 1 MPa. This structure also eliminates any eddy current losses due to a rotating magnetic field. It also prevents sparks from being produced should the rear casing come into contact with the drive magnet unit.

A newly developed triple-layer casing (PAT.) is used for the high head models MDM25-3 and 40-2 when liquid temperature exceeds 80°C. This new design allows a rated 1.6MPa casing pressure overall temperature range. Since the front and rear casing are bolted together from the front casing side, liquid does not leak out when the foot support is pulled back.



PFA type with rear casing cover

Rear ring

As a precaution against abnormal running, for example cavitation or air entering the pump where the magnet capsule could move axially backwards a rear ring and thrust ring have been incorporated. The rear ring is designed to give minimal heat generation from contact and therefore heat generation is greatly reduced compared to conventional designs. This prevents surrounding fluoro-resin from melting. (PAT.)

Rear Thrust

The rear thrust withstands axial loads encountered from abnormal operation, it also minimizes heat generation.

Magnet capsule

High magnet strength rare earth magnets are totally encapsulated with fluoro-resin mouldings. Magnets are small and lightweight which increases the efficiency of the pump. Taking advantage of the high magnetic strength its new design of "Non contact system" was developed to protect pump from dry running. This enables us to offer pumps that will withstand dry running operation. (CF type only)



CFRETFE type



PFA type

Spindle

Both ends of the spindle are supported by the front casing and the rear casing (the fixed spindle type). There are two types of spindle; one is made of high purity alumina ceramic and the other made of SiC.



SiC type High purity alumina ceramic type

Bearing

Two standard bearing materials are available. SiC gives high resistance to abrasion. High density carbon withstands dry running operation. Bearings can be individually replaced.



SiC type High density carbon type

Gasket

A PTFE shrouded gasket is used to enhance sealing performance and corrosion resistance.

Specifications

2 pole motor type

Model	Pump size Suction X Discharge	50Hz			60Hz			Motor kW
		Impeller size	Capacity L/min	Head m	Impeller size	Capacity L/min	Head m	
MDM25-1 (Impeller range 1)	40A X 25A	165	100	35.5	140	100	36.0	1.5 or 2.2
		160		33.5	130		29.5	
		150		29.0	120		24.5	
		140		25.0	110		20.0	
		130		20.5	100		15.5	
		195		50.5	170		53.0	
MDM25-2 (Impeller range 2)	40A X 25A	190	100	47.5	160	100	47.0	3.7, 5.5 or 7.5
		180		42.5	150		40.5	
		170		37.0	140		35.0	
		160		32.5	130		29.0	
		225		74.0	225		107.0	
		220		69.0	220		102.5	
MDM25-3 (Impeller range 3)	40A X 25A	210	100	61.0	210	100	90.0	5.5, 7.5, 11, 15 or 18.5 (60Hz only)
		200		55.0	200		80.0	
		190		48.5	190		71.0	
		180		42.5	180		62.5	
		—		—	170		55.0	
		—		—	160		48.0	
MDM40-1 (Impeller range 1)	50A X 40A	165	208	35.0	145	250	38.0	3.7, 5.5 or 7.5
		160		32.5	140		34.5	
		150		28.5	130		29.0	
		140		25.0	120		24.0	
		130		20.5	110		19.5	
		120		17.0	—		—	
MDM40-2 (Impeller range 2)	50A X 40A	225	208	70.0	225	250	102.0	5.5, 7.5, 11, 15 or 18.5 (60Hz only)
		220		67.5	220		98.0	
		210		60.0	210		87.0	
		200		54.0	200		78.0	
		190		47.0	190		68.0	
		180		41.5	180		60.5	
MDM50-1	65A X 50A	165	417	33.0	160	500	44.5	3.7, 5.5 or 7.5
		160		31.0	150		38.0	
		150		27.0	140		33.0	
		140		22.5	130		27.0	
		130		18.0	120		21.5	
		120		15.0	110		18.5	
MDM65-1	80A X 65A	165	833	38.5	160	1000	51.0	5.5, 7.5, 11, 15 or 18.5 (60Hz only)
		160		35.5	150		44.5	
		150		31.0	140		37.0	
		140		26.5	130		31.5	
		130		22.0	120		26.0	
		120		17.5	110		20.0	

4 pole motor type

Model	Pump size Suction X Discharge	50Hz			60Hz			Motor kW
		Impeller size	Capacity L/min	Head m	Impeller size	Capacity L/min	Head m	
MDM25-1 (Impeller range 1)	40A X 25A	170	50	8.5	170	50	12.0	0.4, 0.75
MDM25-2 (Impeller range 2)	40A X 25A	200	50	12.0	200	50	18.5	1.5, 2.2, 3.7
MDM25-3 (Impeller range 3)	40A X 25A	225	50	17.0	225	50	24.0	1.5, 2.2, 3.7, 5.5
MDM40-1 (Impeller range 1)	50A X 40A	170	200	7.5	170	200	11.5	1.5, 2.2, 3.7
MDM40-2 (Impeller range 2)	50A X 40A	225	200	15.0	225	200	22.0	1.5, 2.2, 3.7, 5.5
MDM50-1	65A X 50A	170	300	7.0	170	300	11.5	1.5, 2.2, 3.7
MDM65-1	80A X 65A	170	500	8.0	170	500	13.0	1.5, 2.2, 3.7, 5.5

Common Specifications

• Temperature range of liquid handled	EKK/ECF: -20 to 105°C, PKK: -20 to 150°C, NKK: -20 to 120°C ^{Note 1}	• Standard motor	2 pole, 3-phase, TEFC, out door flange mount type
• Allowable slurry (KK type only)	Please contact us.	• Standard color of paint	Ultra marine blue RAL5002
• Allowable maximum pressure	1.0 MPa (MDM25-3 and MDM40-2 are 1.6 MPa)		

Note 1: Please contact us when handling liquid temperature is below 0°C or handling liquid temperature is higher than 120°C with PFA type.

Pump identification

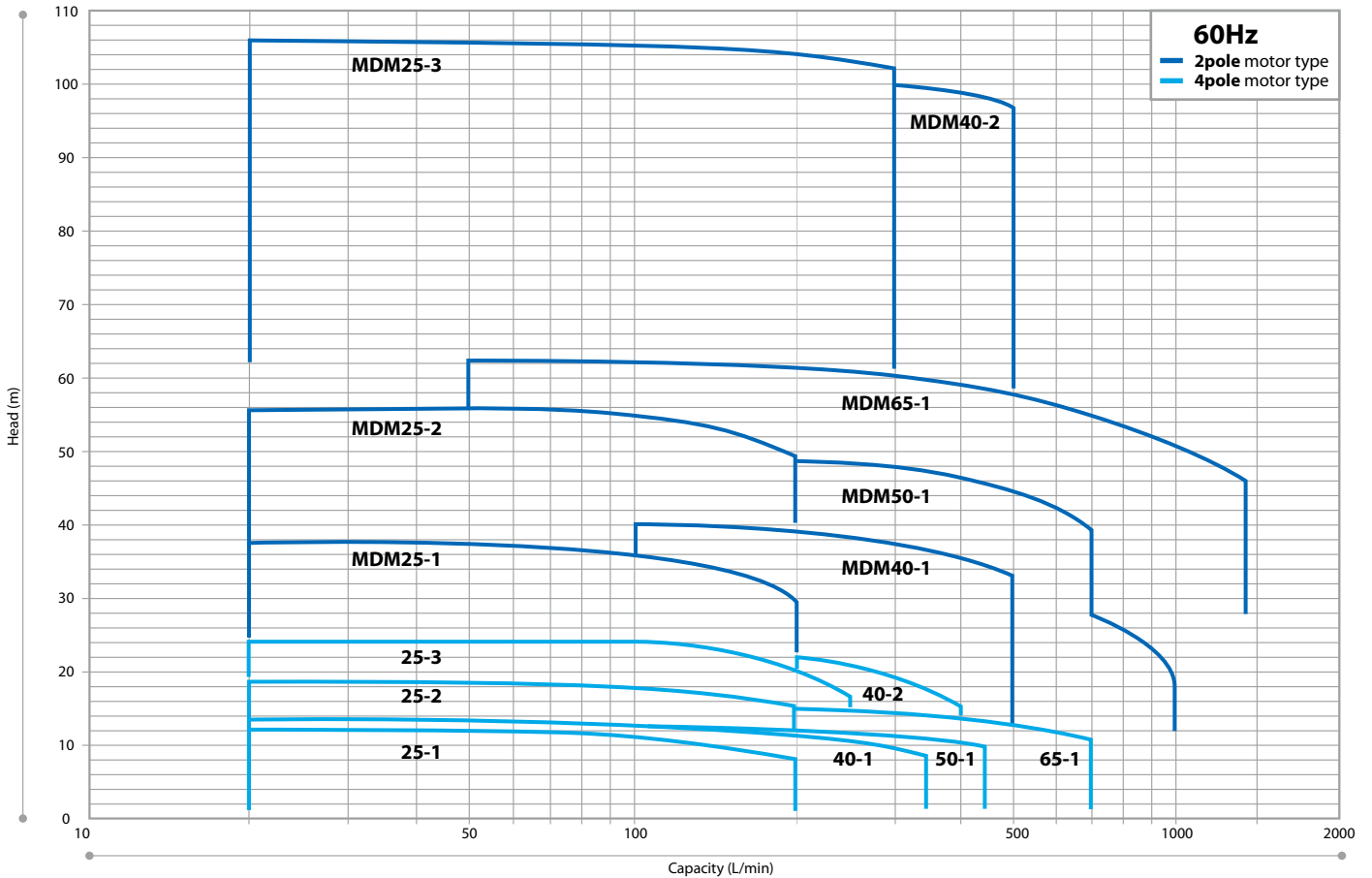
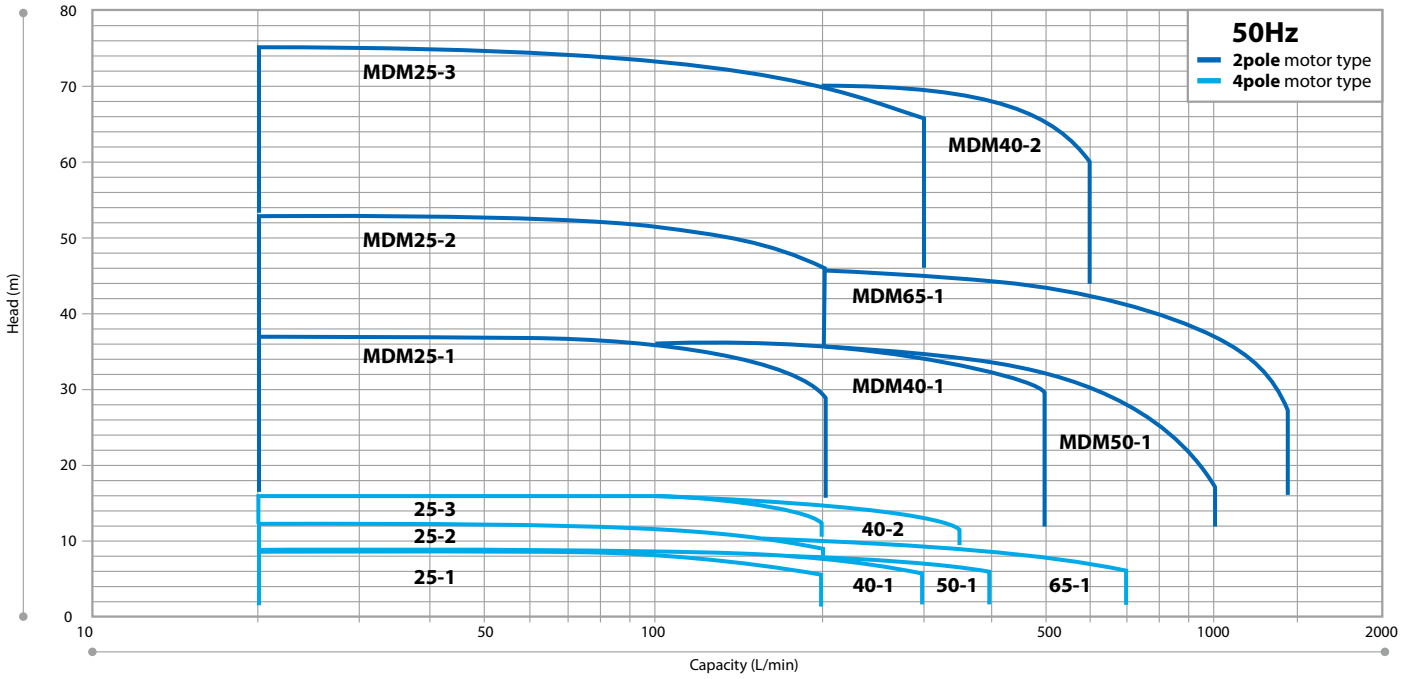
40 - 150 1 E KK F 075 J - D 2 H

- Pump size (Suction X Discharge)**
25: 40A X 25A
40: 50A X 40A
50: 65A X 50A
65: 80A X 65A
- Impeller size**
100mm to 225mm
- Impeller range**
1, 2, 3
- Wet-end main material**
E: CFRETFE
P: PFA
N: PFA (MDM40-1 only)
- Material of Bearing / Spindle**
KK: SiC/SiC
CF: High density carbon/
High purity alumina ceramic
- Motor output**
004: 0.4kW(4P) 075: 7.5kW(2P)
007: 0.75kW(4P) 110: 11kW(2P)
015: 1.5kW 150: 15kW(2P)
022: 2.2kW 185: 18.5kW(2P)
037: 3.7kW (60Hz only)
055: 5.5kW
- Type of motor**
F: Flange motor
- Standard for pipe connection and motor**
J: JIS flange + JIS motor
A: ANSI flange + JIS motor
I: ISO flange + IEC motor
- Special code**
H: 80 to 120°C
(Applicable model:
Flange motor type: MDM25-3, MDM40-2 only)
T: 120 to 150°C
- Motor pole**
2: 2 pole
4: 4 pole
- Special version**

Mark	Drain	Base	Special version
A	Without drain	With base	Standard
S			Special
D	With drain	With base	Standard
X			Special
B	Without drain	Without base	Standard
Y			Special
E	With drain	Without base	Standard
Z			Special

Note: PFA type with drain includes an air vent.

Performance curves



Iwaki dry running protector DR series (Option)

Model DR is electric current sensing type dry running protector. It detects the decreased load current (lower limit) to stop the pump when it runs dry or runs with air sucking in. It can detect over-load, too.

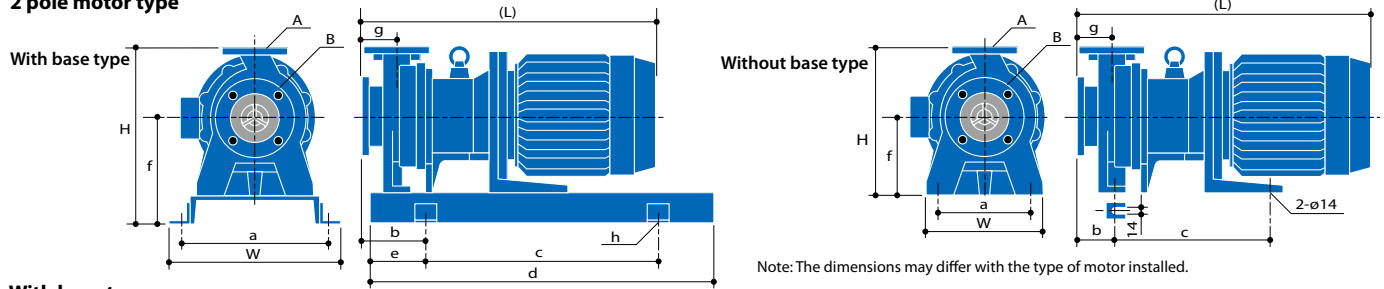


Specification

	50/60Hz	
Model	DR-20	DR-21
Motor power	380 to 440V	
Applied motor	0.75 to 15kW	18.5 to 75kW
Power V	200 to 240V 10% single phase	
45-65Hz Input	3.5W	
Detective current	0.5 to 32.0A	20 to 200A
Current transformer(CT)	Built-in	External
Current range	Auto	4.4/17.6/32A
	Manual	2.2/4.4/8.8/11/17.6/26.4/32A
Ambient	Temperature:0 to 40°C Humidity:RH40 to 85%	
Outer dimension in mm	D80 X W153 X H110	

Dimensions

2 pole motor type



With base type

Model	Motor	W	H	(L)	a	b	c	(d)	(e)	f	g	h	A	B	Mass kg	
MDM25-1	1.5kW	400	400	515	350	135	480	710	115	240	80	4-ø19	25	40	80	
	2.2kW															
MDM25-2	3.7kW	400	430	625	350	150	540	800	130	250	80	4-ø19	25	40	120	
	5.5kW			689											140	
	7.5kW															
MDM25-3	5.5kW	400	415	711	350	172	540	800	130	250	102	4-ø19	25	40	145	
	7.5kW														150	
	11kW														215	
	15kW														225	
MDM40-1	18.5kW	480	485	864	430	192	600	900	150	320	80	4-ø19	40	50	235	
	3.7kW			625											115	
	5.5kW			689											135	
MDM40-2	7.5kW	400	430	689	350	150	540	800	130	250	80	4-ø19	40	50	150	
	5.5kW														155	
	7.5kW														220	
	11kW														230	
MDM50-1	15kW	480	500	842	430	170	600	900	150	320	80	4-ø19	40	50	240	
	7.5kW			864											240	
	3.7kW			625											115	
	5.5kW			689											135	
MDM65-1	7.5kW	400	430	709	350	170	540	800	130	250	80	4-ø19	50	65	145	
	5.5kW														689	135
	11kW															
	15kW															
MDM65-1	18.5kW	480	500	862	430	190	600	900	150	320	100	4-ø19	65	80	210	
	7.5kW			884											220	
	5.5kW														230	

Without base type

Model	Motor	W	H	(L)	a	b	c	f	g	A	B	Mass kg
MDM25-1	1.5kW	180	310	515	130	100	150	150	80	25	40	55
	2.2kW											
MDM25-2	3.7kW	280	360	625	220	90	150	180	80	25	40	95
	5.5kW			689								110
	7.5kW											
MDM25-3	5.5kW	280	345	711	220	112	150	180	102	25	40	115
	7.5kW											120
	11kW											165
	15kW											175
MDM40-1	18.5kW	280	340	864	220	90	150	180	80	40	50	185
	3.7kW			625								90
	5.5kW			689								105
	7.5kW											
MDM40-2	5.5kW	280	360	689	220	90	150	180	80	40	50	120
	7.5kW											125
	11kW											170
	15kW											180
MDM50-1	18.5kW	280	410	842	220	90	150	230	80	50	65	190
	7.5kW			864								85
	3.7kW			625								105
	5.5kW			689								
MDM65-1	5.5kW	280	360	709	220	110	150	180	100	65	80	120
	7.5kW											120
	11kW											165
	15kW											175
MDM65-1	18.5kW	480	500	862	220	110	150	230	100	65	80	185
	7.5kW			884								
	5.5kW											

IWAKI CO., LTD.

6-6 Kanda-Sudacho 2-chome Chiyoda-ku Tokyo 101-8558 Japan TEL : (81)3 3254 2935 FAX : 3 3252 8892

www.iwakupumps.jp

The posting and copying from this catalogue without permission is not accepted firmly.

European office : IWAKI Europe GmbH
 Germany : IWAKI Europe GmbH
 Holland : IWAKI Europe GmbH (Netherlands Branch)
 Italy : IWAKI Europe GmbH (Italy Branch)
 Spain : IWAKI Europe GmbH (Spain Branch)
 Belgium : IWAKI Belgium N.V.
 Denmark : IWAKI Nordic A/S
 Finland : IWAKI Suomi Oy
 France : IWAKI France S.A.
 Norway : IWAKI Norge AS
 Sweden : IWAKI Sverige AB
 Switzerland : IWAKI (Schweiz) AG
 U.K. : IWAKI Pumps (UK) Ltd.

TEL: (49)2154 9254 0 FAX: 2154 9254 48
 TEL: (49)2154 9254 50 FAX: 2154 9254 55
 TEL: (31)547 293 160 FAX: 547 292 332
 TEL: (39)0444 371115 FAX: 0444 335350
 TEL: (34)93 37 70 198 FAX: 93 47 40 991
 TEL: (32)13 67 02 00 FAX: 13 67 20 30
 TEL: (45)48 24 2345 FAX: 48 24 2346
 TEL: (358)9 2745810 FAX: 9 2742715
 TEL: (33)1 69 63 33 70 FAX: 1 64 49 92 73
 TEL: (47)23 38 49 00 FAX: 23 38 49 01
 TEL: (46)8 511 72900 FAX: 8 511 72922
 TEL: (41)26 674 93 00 FAX: 26 674 93 02
 TEL: (44)1743 231363 FAX: 1743 366507

U.S.A. : IWAKI America Inc.
 Argentina : IWAKI America Inc. (Argentina Branch)
 Singapore : IWAKI Singapore Pte Ltd.
 Indonesia : IWAKI Singapore (Indonesia Branch)
 Malaysia : IWAKIm Sdn. Bhd.
 Australia : IWAKI Pumps Australia Pty Ltd.
 Hong Kong : IWAKI Pumps Co., Ltd.
 China : GFTZ IWAKI Engineering & Trading Co., Ltd.
 Korea : IWAKI Korea Co., Ltd.
 Taiwan : IWAKI Pumps Taiwan Co., Ltd.
 Thailand : IWAKI (Thailand) Co., Ltd.
 Vietnam : IWAKI Pumps Vietnam Co., Ltd.

TEL: (1)508 429 1440 FAX: 508 429 1386
 TEL: (54)11 4745 4116
 TEL: (65)6316 2028 FAX: 6316 3221
 TEL: (62)21 6906606 FAX: 21 6906612
 TEL: (60)3 7803 8807 FAX: 3 7803 4800
 TEL: (61)2 9899 2411 FAX: 2 9899 2421
 TEL: (852)2607 1168 FAX: 2607 1000
 TEL: (86)20 84350603 FAX: 20 84359181
 TEL: (86)21 6272 7502 FAX: 21 6272 6929
 TEL: (82)2 2630 4800 FAX: 2 2630 4801
 TEL: (886)2 8227 6900 FAX: 2 8227 6818
 TEL: (66)2 322 2471 FAX: 2 322 2477
 TEL: (84)613 933456 FAX: 613 933399

()Country codes

Caution for safety use: Before use of pump, read instruction manual carefully to use the product correctly.
 Actual pumps may differ from the photos. Specifications and dimensions are subject to change without prior notice. For further details please contact us.

Legal attention related to export.
 Our products and/or parts of products fall in the category of goods contained in control list of international regime for export control.
 Please be reminded that export license could be required when products are exported due to export control regulations of countries.

